

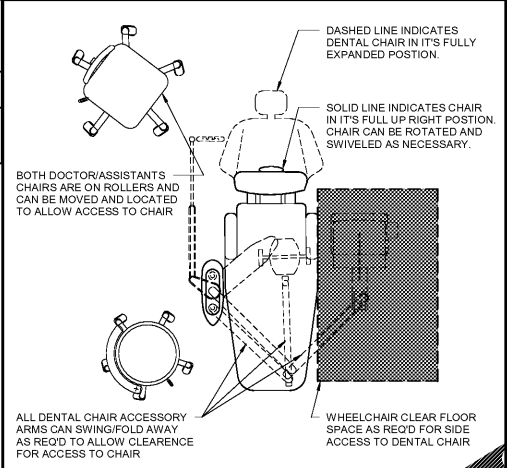
EGRESS/ACCESSIBILITY KEYNOTES

① CHAIR SHALL BE RELOCATED AS NECESSARY TO ALLOW ACCESS FOR WHEELCHAIR SPACE
 CONTRACTOR TO COORDINATE EXIT LIGHT LOCATIONS WITH LOCAL INSPECTION AND FIRE MARSHAL PRIOR TO INSTALL

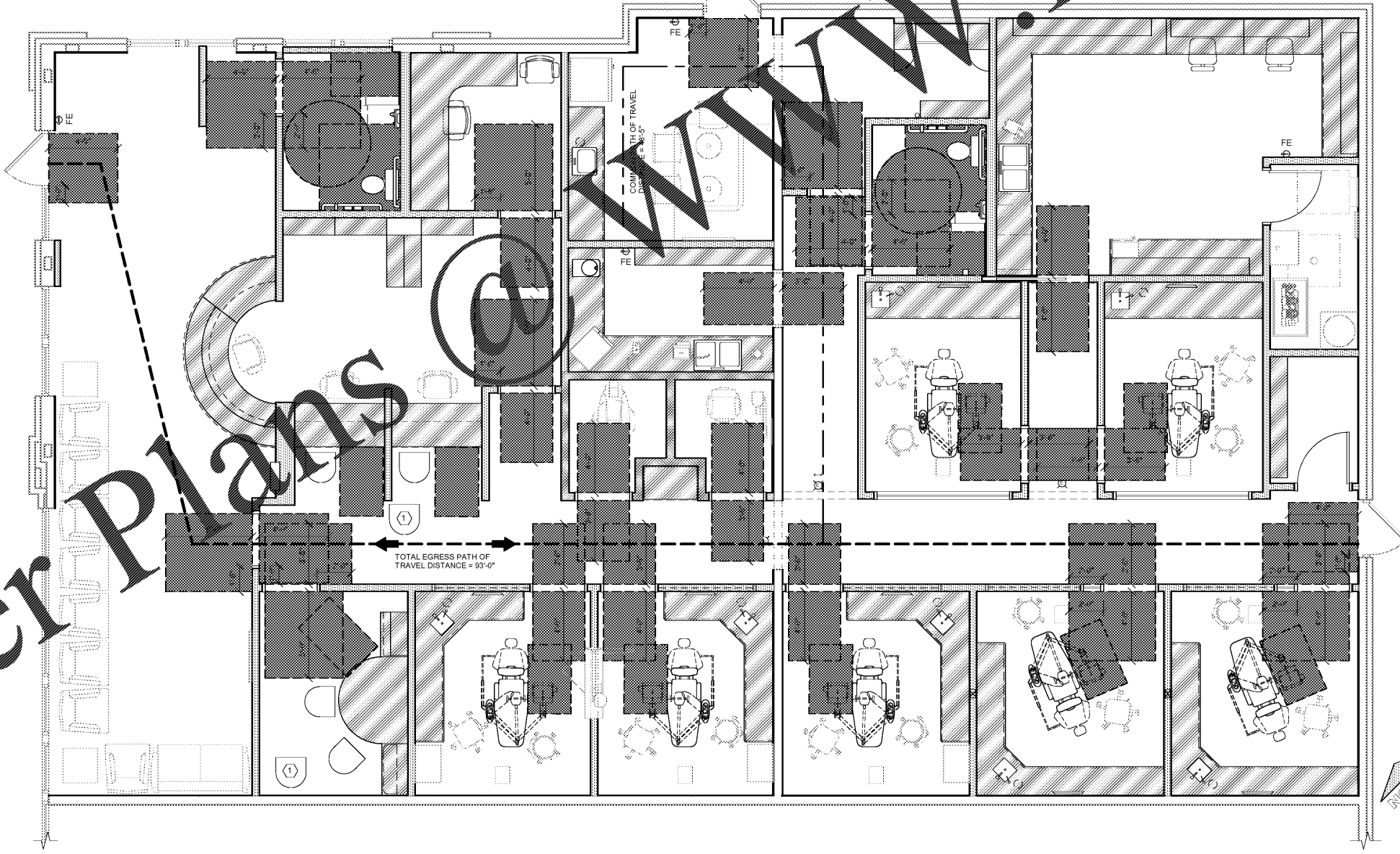
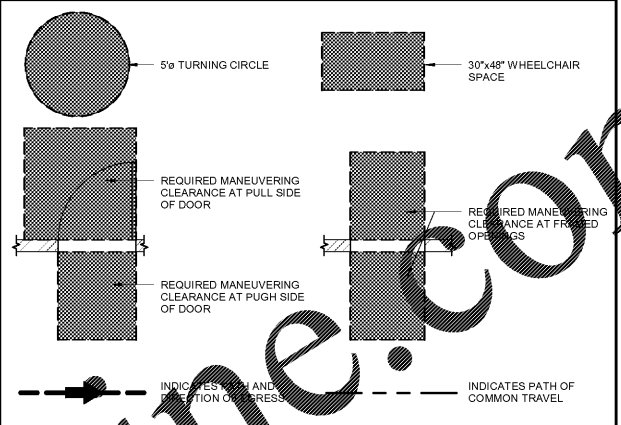
EGRESS/ACCESSIBILITY NOTES

ASPEN DENTAL STAFF WILL BE AVAILABLE TO ASSIST ANY PERSON(S) WITH DISABILITY TO MANEUVER AROUND THE FACILITY AS REQ'D PER THAT PATRONS REQUEST

DENTAL CHAIR DIAGRAM



EGRESS/ACCESSIBILITY SYMBOLS LEGEND



100 PAMELOT DRIVE
 FOND DU LAC, WI 54935
 PHONE: (920) 926-9800
 WWW.EXCELENGINEER.COM

COLLABORATION
 AspenDental

PROJECT INFORMATION

PROJECT NUMBER 1823380

TENANT BUILD-OUT FOR:
ASPEN DENTAL
 4011 WARDS ROAD • LYNCHBURG, VA 24502

PROFESSIONAL SEAL

SHEET DATES

SHEET ISSUE MAY 31, 2018

REVISIONS

SHEET INFORMATION

EGRESS/ACCESSIBILITY PLAN

SHEET NUMBER

AE1.1

ACCESSIBILITY/EGRESS PLAN
 SCALE: 1/4" = 1'-0"