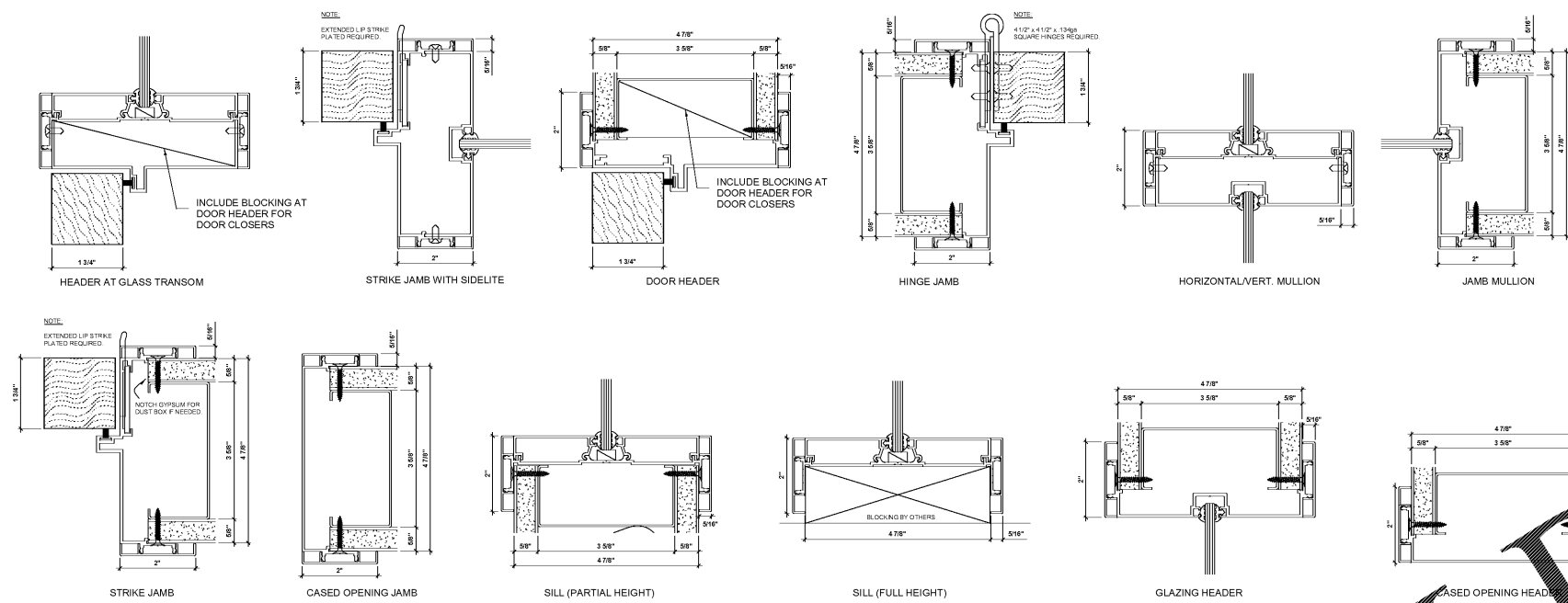


WILSON PARTITIONS FRAME DETAILS



**GLAZING SCHEDULE**

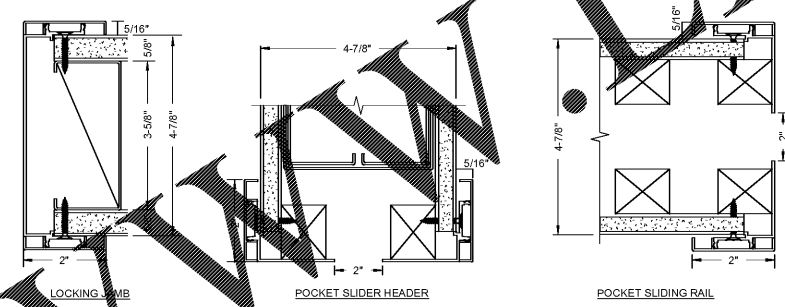
GLAZING SHALL MEET THE FOLLOWING STANDARDS AND GUIDELINES AS APPLICABLE FOR EACH TYPE:  
 -ASTM E 1300, ASTM C 1038, ASTM C 1048, ASTM E 774  
 -GANA GLAZING MANUAL  
 -SIGMA TM-3000 VERTICAL GLAZING GUIDELINES

GL-2: CLEAR FLOAT GLASS, TEMPERED

LITE: TYPE I, CLASS I, QUALITY 03 FLOAT GLASS, KIND FT (FULLY TEMPERED), CONDITION A, 1/4" THICK

6 WOOD FLUSH MOULDING  
A3.0 NOT TO SCALE

WILSON PARTITIONS POCKET DOOR FRAME DETAILS

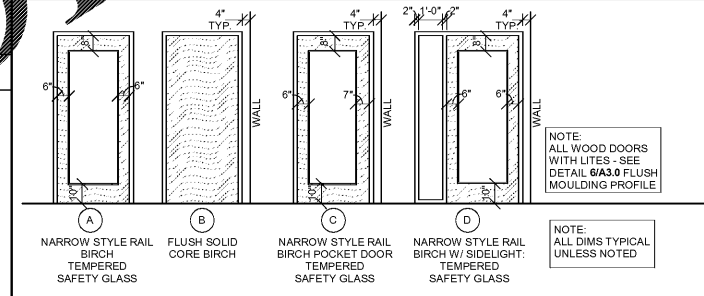


DOOR SCHEDULE

DOOR NUMBER	DOOR SIZE			DOOR TYPE	FRAME FINISH	HARDWARE TYPE	HARDWARE PASSAGE LOCKSET	HARDWARE PRIVACY LOCKSET	REMARKS
	WIDTH	HEIGHT	THICKNESS						
101	3'-0"	7'-0"	1 3/4"	A	A	1	•		
102	3'-0"	7'-0"	1 3/4"	B	A	2	•		UNDERCUT 1"
103	3'-0"	7'-0"	1 3/4"	B	A	3	•		
106	3'-0"	7'-0"	1 3/4"	B	A	3	•		
109	3'-0"	7'-0"	1 3/4"	A	A	3	•		
110	3'-0"	7'-0"	1 3/4"	B	A	3	•		
111	3'-0"	7'-0"	1 3/4"	C	A	4	•		
115	3'-0"	7'-0"	1 3/4"	B	A	2	•		UNDERCUT 1"
116	3'-0"	7'-0"	1 3/4"	B	A	1	•		
117	3'-0"	7'-0"	1 3/4"	B	A	3	•		
119	3'-0"	7'-0"	1 3/4"	D	A	3	•		
120	3'-0"	7'-0"	1 3/4"	D	A	3	•		

DOOR REMARKS:  
 1. SLIDING POCKET DOOR KIT TO BE HAGAR 3300 HEAVY DUTY POCKET DOOR KIT. HARDWARE TO BE STANDARD HEAVY DUTY TRACK WITH 45NLT HARDWARE FINISH. BRUSHED ALUMINUM (626)  
 R1: PROVIDE (3) EQ. SIZE SLIDING DOOR ROLLERS FOR CLOSING SEQUENCE. SHOW IN SCHEDULE REFERS TO FINISHED SIZE. DOOR SUPPLIER TO PROVIDE ADA REQUIREMENTS. ADA SLIDING DOOR HARDWARE & ACCESSORIES DOORS SHALL BE OPERABLE FROM BOTH SIDES. HINGERS: MCKINNEY ADA LEVER TYPE. PADDLE DEADBOLTS REMAIN UNLOCKED WHEN BUILDING IS OCCUPIED - SEE SHEET A5.0 FOR SIGNATURE. HINGERS: MCKINNEY ADA LEVER TYPE. PADDLE DEADBOLTS REMAIN UNLOCKED WHEN BUILDING IS OCCUPIED - SEE SHEET A5.0 FOR SIGNATURE. HINGERS: MCKINNEY ADA LEVER TYPE. PADDLE DEADBOLTS REMAIN UNLOCKED WHEN BUILDING IS OCCUPIED - SEE SHEET A5.0 FOR SIGNATURE. HINGERS: MCKINNEY ADA LEVER TYPE. PADDLE DEADBOLTS REMAIN UNLOCKED WHEN BUILDING IS OCCUPIED - SEE SHEET A5.0 FOR SIGNATURE.  
 PROVIDE TACTILE EXIT CHANGE AT ALL EXIT DOORS - SEE SHEET A5.0

DOOR TYPES



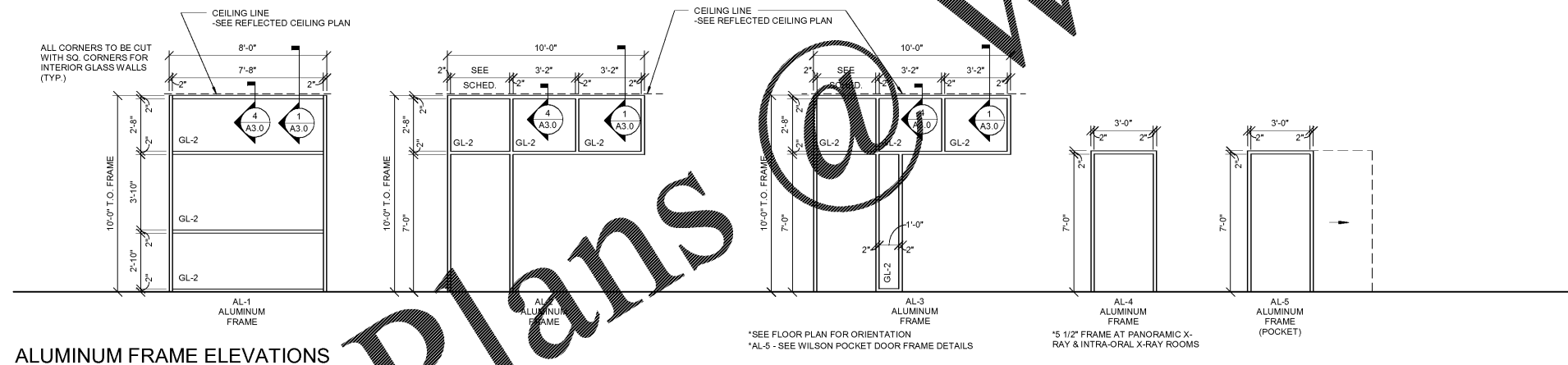
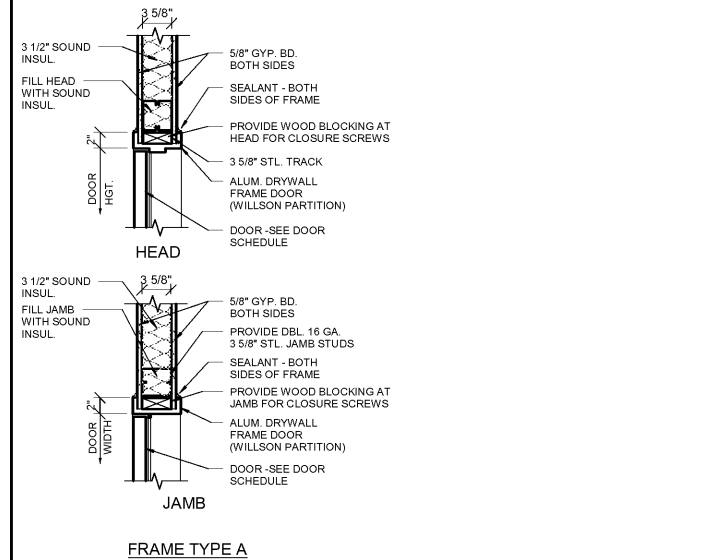
DOOR/FRAME TYPE SPECIFICATIONS  
 FRAMES: WILSON PARTITIONS ALUMINUM FRAME OR EQUAL (SEE DOOR SCHEDULE ABOVE FOR DOOR SIZES)  
 DOORS: WILSON PARTITIONS ALUMINUM FRAME WITH 1/2" SIDELIGHT OR EQUAL (SEE DOOR SCHEDULE ABOVE FOR DOOR SIZES)  
 TYPE: VENEER 5, ROTARY BIRCH SELECT WHITE, CLEAR COAT - DOORS TO BE FACTORY PRE-FINISHED

HARDWARE TYPES

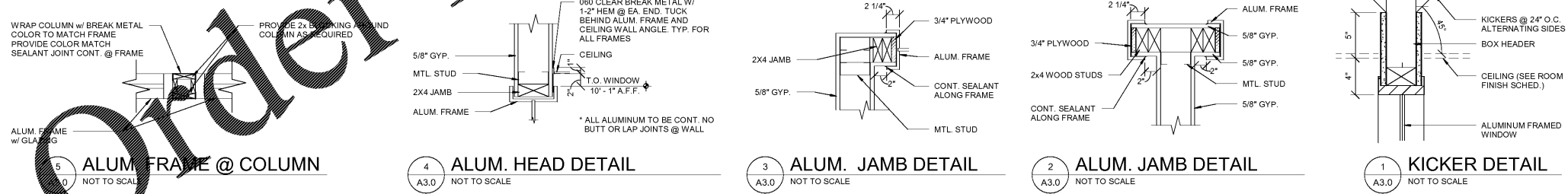
<p>SET 1                  HAGAR 3500 SERIES WITHNELL LEVER HINGES: MCKINNEY, MPB79                  4 1/2" x 4 1/2" 1 1/2" PAIR PER DOOR                  CLOSER: HAGAR 5200 US26D                  WALL STOP: ROCKWOOD 406US26D</p>	<p>SET 3                  HAGAR 3500 SERIES WITHNELL LEVER HINGES: MCKINNEY, MPB79                  4 1/2" x 4 1/2" 1 1/2" PAIR PER DOOR                  WALL STOP: ROCKWOOD 406US26D</p>
<p>SET 2                  HAGAR 3500 SERIES WITHNELL LEVER HINGES: MCKINNEY, MPB79                  4 1/2" x 4 1/2" 1 1/2" PAIR PER DOOR                  CLOSER: HAGAR 5200 US26D                  WALL STOP: ROCKWOOD 406US26D                  GENDER SIGN (SEE SHEET A5.0)</p>	<p>SET 4                  LATCHSET: HAGAR 3300 X US26 D                  DOOR KIT: HAGAR 9630 HEAVY DUTY POCKET DOOR KIT                  DOOR FRAME: JOHNSON HARDWARE 153070PF</p>

HARDWARE NOTES:  
 1. CONTRACTOR TO SUBMIT DETAILED HARDWARE SCHEDULE WITH COMPLETE CUT-SHEETS TO OWNER FOR FINAL APPROVAL.  
 2. HAGAR 3500 SERIES WITHNELL ADA LEVER TYPE HARDWARE.  
 3. ALL LOCKSETS TO BE US26D FINISH.  
 4. EXTERIOR HARDWARE AS SELECTED BY OWNER TO BE HAGAR 4500 SERIES WITH 45NLT OUTSIDE TRIM IS 45NLT FINISH OR EQUAL. DEADBOLT LOCK IF REQUIRED SHALL BE OPERATED BY KEY OUTSIDE AND THUMBTURN INSIDE (EXT. DOOR LOCATIONS ONLY). REUSE EXISTING IF APPLICABLE.  
 5. ALL CLOSERS NOTED IN HARDWARE SETS ABOVE TO BE MOUNTED ON INTERIOR ROOM SIDE.

FRAME TYPES



ALUMINUM FRAME ELEVATIONS



5 ALUM. FRAME @ COLUMN A3.0 NOT TO SCALE  
 4 ALUM. HEAD DETAIL A3.0 NOT TO SCALE  
 3 ALUM. JAMB DETAIL A3.0 NOT TO SCALE  
 2 ALUM. JAMB DETAIL A3.0 NOT TO SCALE  
 1 KICKER DETAIL A3.0 NOT TO SCALE

COLLABORATION

PROJECT NUMBER 1823380

TENANT BUILD-OUT FOR:  
**ASPEN DENTAL**  
 4011 WARDS ROAD • LYNCHBURG, VA 24502

PROFESSIONAL SEAL

**SHEET DATES**

SHEET ISSUE MAY 31, 2018

REVISIONS

**SHEET INFORMATION**

DOOR SCHEDULE, ELEVATIONS, & DETAILS

SHEET NUMBER **A3.0**