

THE DEDICATED POS POWER CIRCUIT REQUIRES AN ISOLATED GROUND IN ADDITION TO THE NORMAL COMMON BUILDING GROUND. THE ISOLATED GROUND WIRE SERVES TWO PURPOSES:  
 \* AS A SAFETY PATH TO GROUND.  
 \* AS A ZERO REFERENCE POINT FOR ALL POS DIGITAL LOGIC.

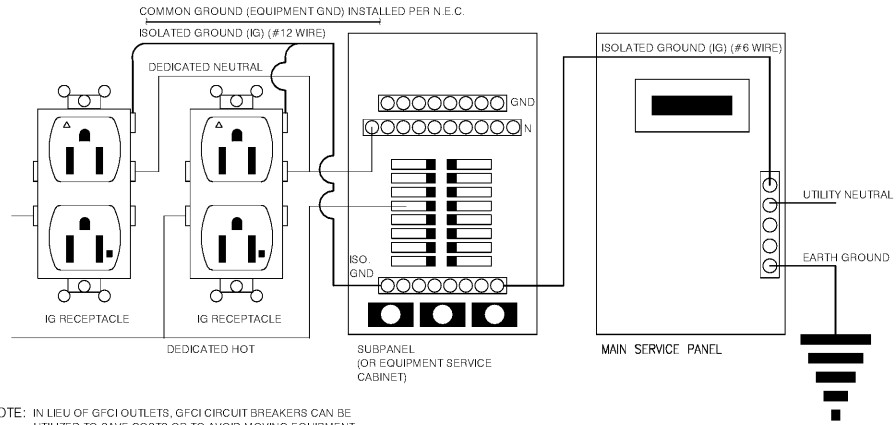
THE GROUND MUST EXHIBIT THE LOWEST POSSIBLE IMPEDANCE TO MINIMIZE VOLTAGE TRANSIENTS AND NOISE.

BE SURE TO:

- \* USE AN INSULATED CONDUCTOR FOR THE ISOLATED GROUND WIRE.
- \* RUN THE ISOLATED GROUND WIRE THROUGH THE SAME CONDUIT AS THE HOT AND NEUTRAL WIRES.
- \* INSTALL ONLY ISOLATED GROUND (IG) TYPE RECEPTACLES.
- \* CONNECT THE ISOLATED GROUND WIRE TO BUILDING GROUND ONLY AT THE MAIN SERVICE PANEL.
- \* VERIFY THAT IG RECEPTACLES PRE-WIRED IN OWNER SUPPLIED EQUIPMENT HAVE A TRUE ISOLATED GROUND THAT CAN BE TRACED BACK TO THE BUILDING GROUND AT THE MAIN SERVICE PANEL.

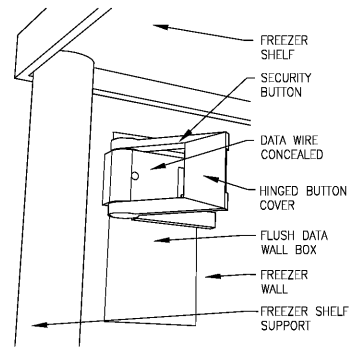
DO NOT CONNECT THE ISOLATED GROUND WIRE TO THE CONDUIT, JUNCTION BOXES, THE FRAME ON A SUBPANEL, OR ANY OTHER METAL SURFACE.

DEDICATED CIRCUITS: DEDICATED CIRCUITS REQUIRE A DEDICATED HOT AND A DEDICATED NEUTRAL THAT ARE NOT SHARED WITH ANY OTHER CIRCUITS. IG RECEPTACLES MUST BE "PHASE ALIGNED" WITH THE 'B' PHASE OF BUILDING SUBPANEL 'A'.

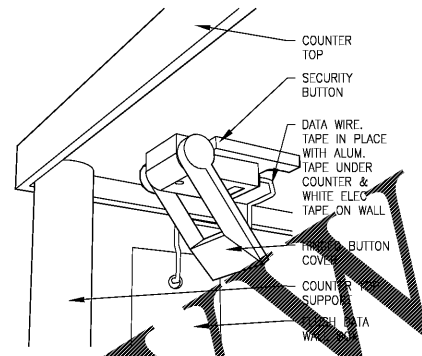


NOTE: IN LIEU OF GFCI OUTLETS, GFCI CIRCUIT BREAKERS CAN BE UTILIZED TO SAVE COSTS OR TO AVOID MOVING EQUIPMENT IN THE EVENT A RESET IS REQUIRED.

**P.O.S. ISOLATED GROUND SYSTEM** N.T.S. **14**

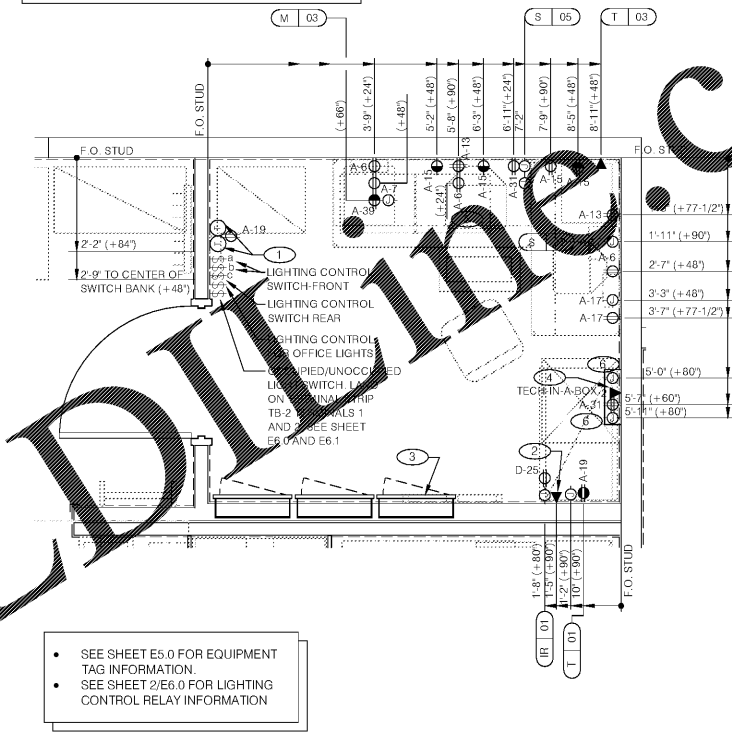


**SECURITY BUTTON ON WALL** N.T.S. **5**

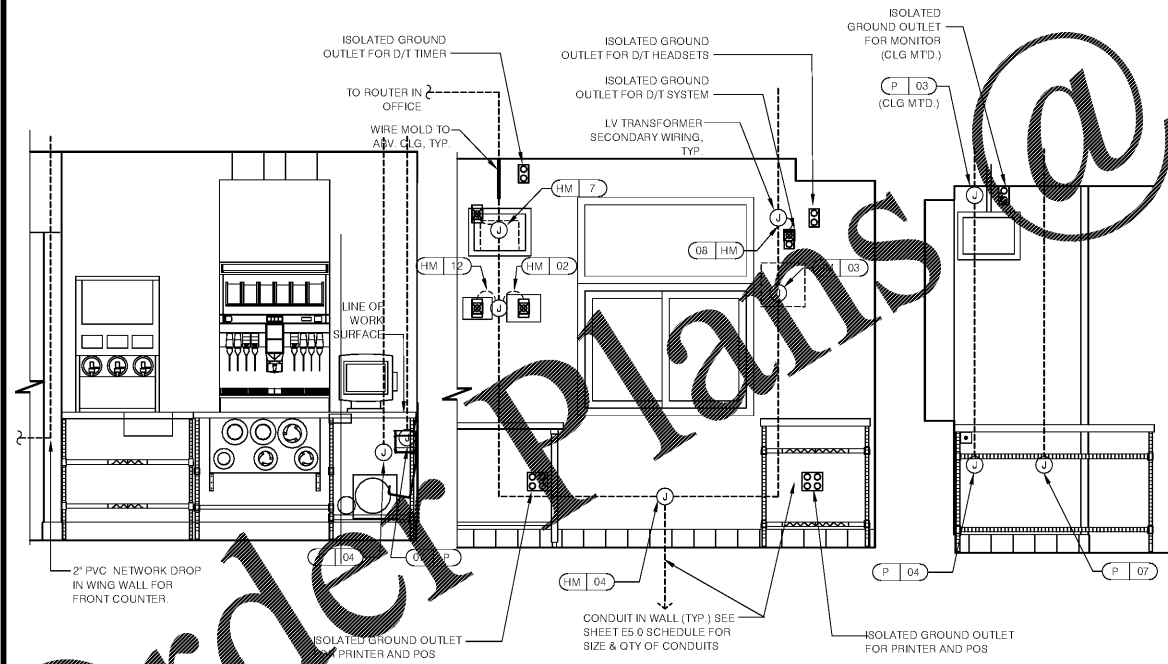


**SECURITY BUTTON UNDER COUNTER** N.T.S. **6**

COORDINATE LOCATIONS AND HEIGHTS OF ALL ROUGH-INS AND VERIFY ALL REQUIREMENTS WITH OWNER AND/OR OWNERS REPRESENTATIVE PRIOR TO COMMENCING WORK. SEE ARCHITECTURAL ELEVATIONS FOR MORE INFORMATION.



**ENLARGED POWER AND COMMUNICATIONS PLAN (OFFICE)** 1/2" = 1'-0" **3**



REFER TO COMMUNICATIONS SCHEDULE ON SHEET E5.0 FOR EQUIPMENT DESCRIPTIONS/MOUNTING HTS.

**ENLARGED INTERIOR ELEVATION (D/T WINDOW)** 1/2" = 1'-0" **16**

**NOT USED** N.T.S. **8**

**KEY NOTES** N.T.S. **1**

- 1 THERMOSTATS CONTROLS. COORDINATE WITH SHEET M2.0
- 2 PHONE JACK FOR MODEM.
- 3 LOCATION OF TBCCB COMBINED CONTROL BOX. COORDINATE EXACT LOCATION IN THE FIELD. CONSIDER OPERATOR NEED TO ACCESS SWITCHES ON THE FRONT OF THE CONTROL BOX AND BUILT IN OCCUPANCY SENSOR FOR MANAGERS OFFICE.
- 4 DATA JACK FOR TECH-IN-A-BOX WITH 2 PORTS. PROVIDE 2" CONDUIT FOR NETWORKING AS REQUIRED. VERIFY EXACT ROUGH-IN LOCATION, HEIGHTS AND REQUIREMENTS WITH OWNER PRIOR TO COMMENCING WORK.
- 5 LOCATION OF SECOND SAFE SHOW FOR REFERENCE ONLY. VERIFY EXACT LOCATION WITH OWNER PRIOR TO COMMENCING WORK.
- 6 2" CONDUIT TERMINATING INTO 4X4X4 JUNCTION BOX. COORDINATE EXACT REQUIREMENTS WITH IT CONTRACTOR.

PERMIT/CONSTRUCTION SET

DATE: FEB. 28, 2018

- △
- △
- △
- △
- △
- △
- △
- △
- △
- △

CONTRACT DATE: XXX-XXX  
 BUILDING TYPE: EXPLORER LITE 40  
 PLAN VERSION: DECEMBER 2017  
 SITE NUMBER: XXX-XXX  
 STORE NUMBER: XXXXX

TACO BELL  
 101 MONTGOMERY CROSSING  
 BISCOE, NC 27209

TACO BELL  
 EXPLORER LITE  
 MEDIUM40

**ENLARGED  
 POWER PLAN  
 AND DETAILS**

**E3.1**

PLOT DATE:

Engineering Consultant

