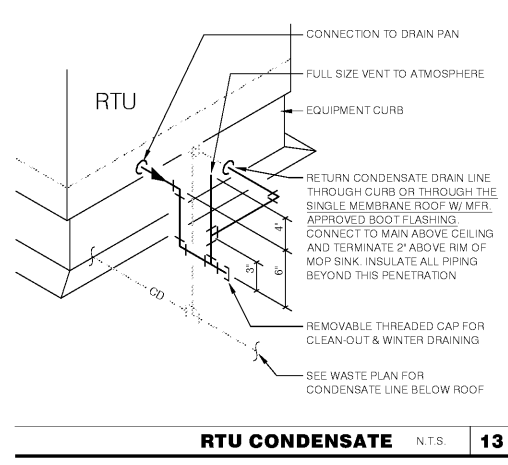
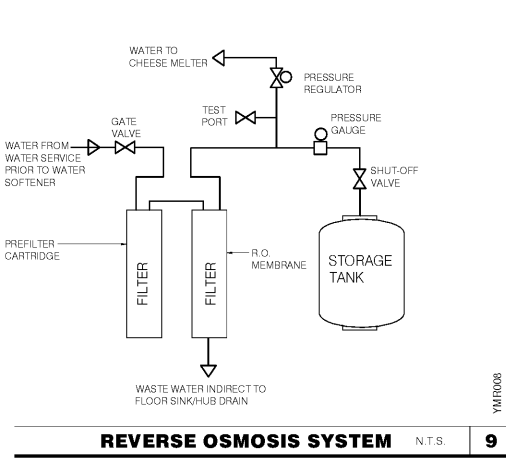


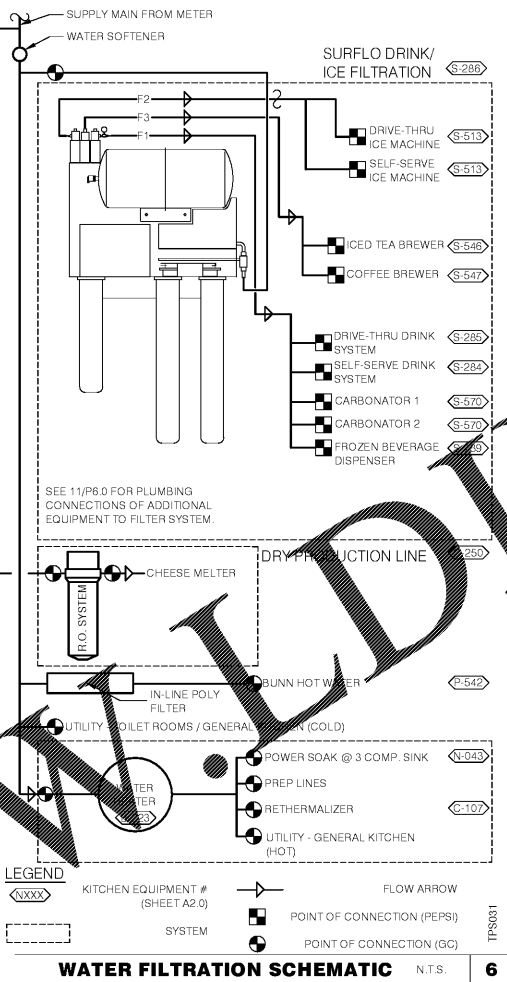
TEMPERING VALVE N.T.S. **17**



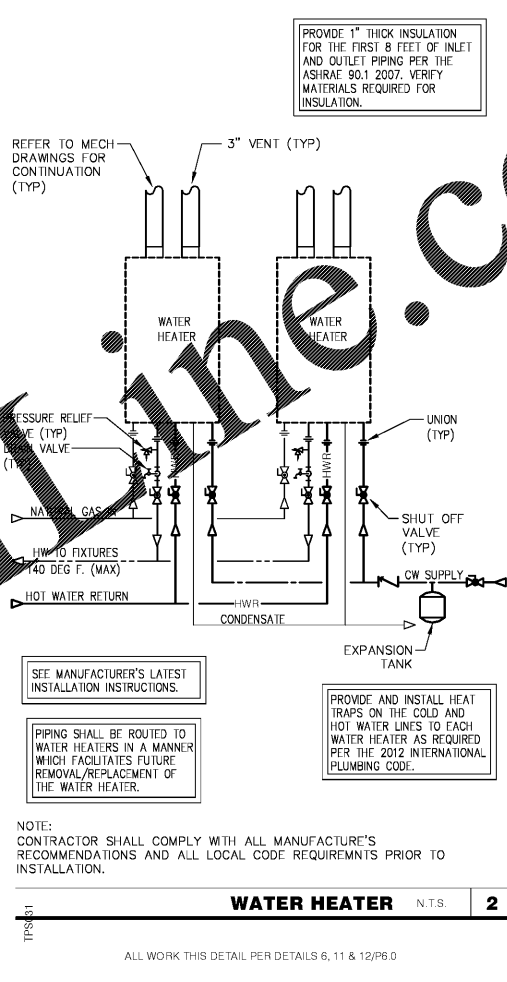
RTU CONDENSATE N.T.S. **13**



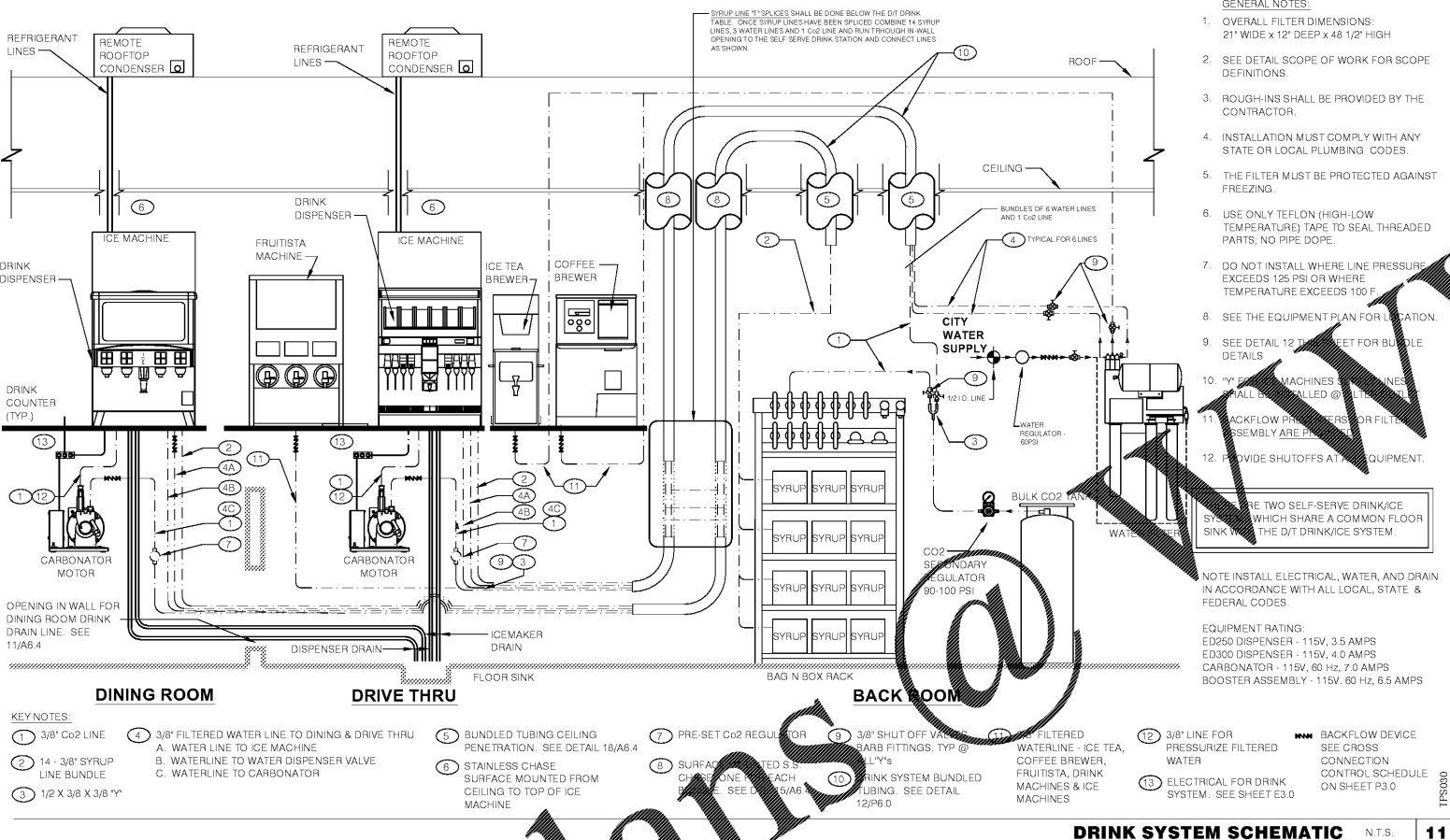
REVERSE OSMOSIS SYSTEM N.T.S. **9**



WATER FILTRATION SCHEMATIC N.T.S. **6**

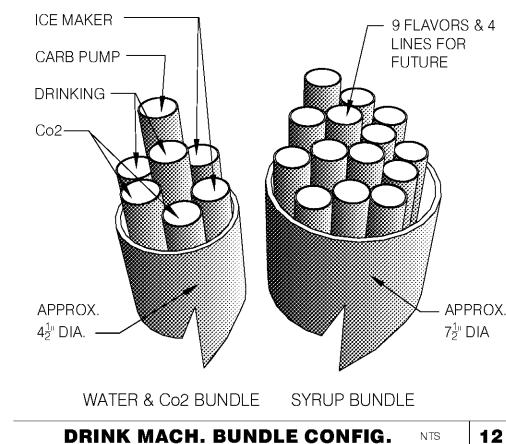


WATER HEATER N.T.S. **2**

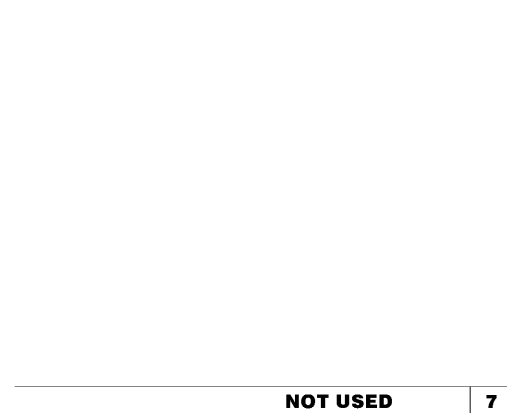


DRINK SYSTEM SCHEMATIC N.T.S. **11**

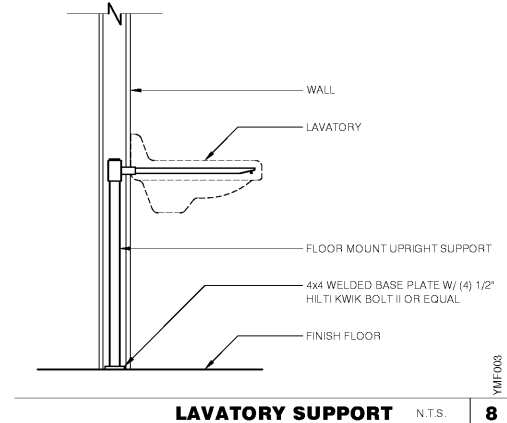
- KEY NOTES:**
- 1. 3/8" Co2 LINE
 - 2. 1/2" X 3/8" X 3/8" TYP
 - 3. 3/8" FILTERED WATER LINE TO DINING & DRIVE THRU
 - 4. WATER LINE TO ICE MACHINE
 - 5. WATERLINE TO WATER DISPENSER VALVE
 - 6. WATERLINE TO CARBONATOR
 - 7. BUNDLED TUBING CEILING PENETRATION. SEE DETAIL 18/A6.4
 - 8. STAINLESS CHASE SURFACE MOUNTED FROM CEILING TO TOP OF ICE MACHINE
 - 9. PRE-SET CO2 REGULATOR
 - 10. SURFACE MOUNTED S.S. CHASE FOR EACH MACHINE. SEE DETAIL 18/A6.4
 - 11. 3/8" SHUT OFF VALVE @ 3/8" BARB FITTINGS. TYP @ 1/2" TYP
 - 12. 3/8" LINE FOR PRESSURIZE FILTERED WATER
 - 13. ELECTRICAL FOR DRINK SYSTEM. SEE SHEET E3.0
 - 14. 3/8" FILTERED WATERLINE - ICE TEA, COFFEE BREWER, FRUITISTA, DRINK MACHINES & ICE MACHINES
 - 15. BACKFLOW DEVICE SEE CROSS CONNECTION CONTROL SCHEDULE ON SHEET P3.0



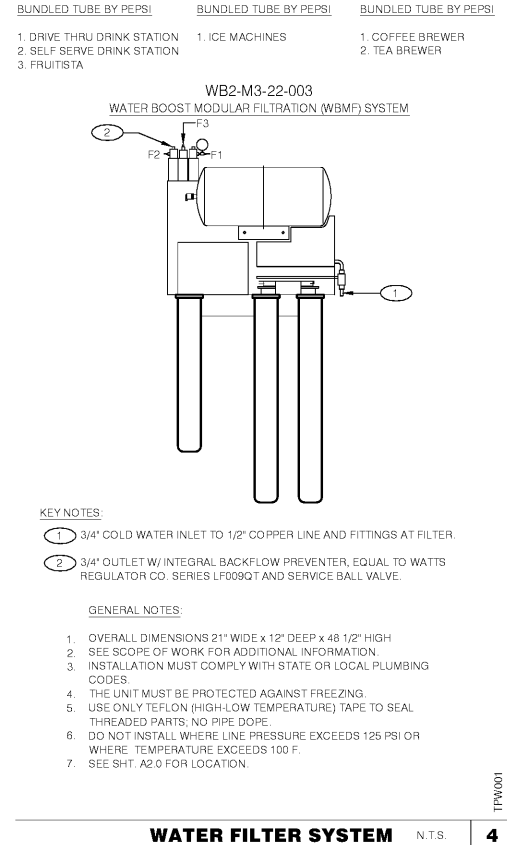
DRINK MACH. BUNDLE CONFIG. N.T.S. **12**



NOT USED **7**



LAVATORY SUPPORT N.T.S. **8**



WATER FILTER SYSTEM N.T.S. **4**

- KEY NOTES:**
- 1. 3/4" COLD WATER INLET TO 1/2" COPPER LINE AND FITTINGS AT FILTER.
 - 2. 3/4" OUTLET W/ INTEGRAL BACKFLOW PREVENTER, EQUAL TO WATTS REGULATOR CO. SERIES LF009QT AND SERVICE BALL VALVE.
- GENERAL NOTES:**
1. OVERALL DIMENSIONS 21" WIDE X 12" DEEP X 48 1/2" HIGH
 2. SEE SCOPE OF WORK FOR ADDITIONAL INFORMATION.
 3. INSTALLATION MUST COMPLY WITH STATE OR LOCAL PLUMBING CODES
 4. THE UNIT MUST BE PROTECTED AGAINST FREEZING.
 5. USE ONLY TEFLON (HIGH-LOW TEMPERATURE) TAPE TO SEAL THREADED PARTS. NO PIPE DOPE.
 6. DO NOT INSTALL WHERE LINE PRESSURE EXCEEDS 125 PSI OR WHERE TEMPERATURE EXCEEDS 100 F.
 7. SEE SHT. A2.0 FOR LOCATION.

Order Plans @

Engineering Consultant

J. A. Weaver, P.E.
 955 Market Street
 8c, Lenoir, NC 28540
 252-775-0000
 Fax: 252-775-0000



PERMIT/CONSTRUCTION SET
 DATE: FEB. 28, 2018

CONTRACT DATE: XX XX XX
 BUILDING TYPE: EXPLORER LITE 40
 PLAN VERSION: DECEMBER 2017
 SITE NUMBER: XXX XXX
 STORE NUMBER: XXXXX

TACO BELL
 101 MONTGOMERY CROSSING
 BISCOE, NC 27209

EXPLOER LITE
 MEDIUM 40

PLUMBING DETAILS

P6.0

PLOT DATE: