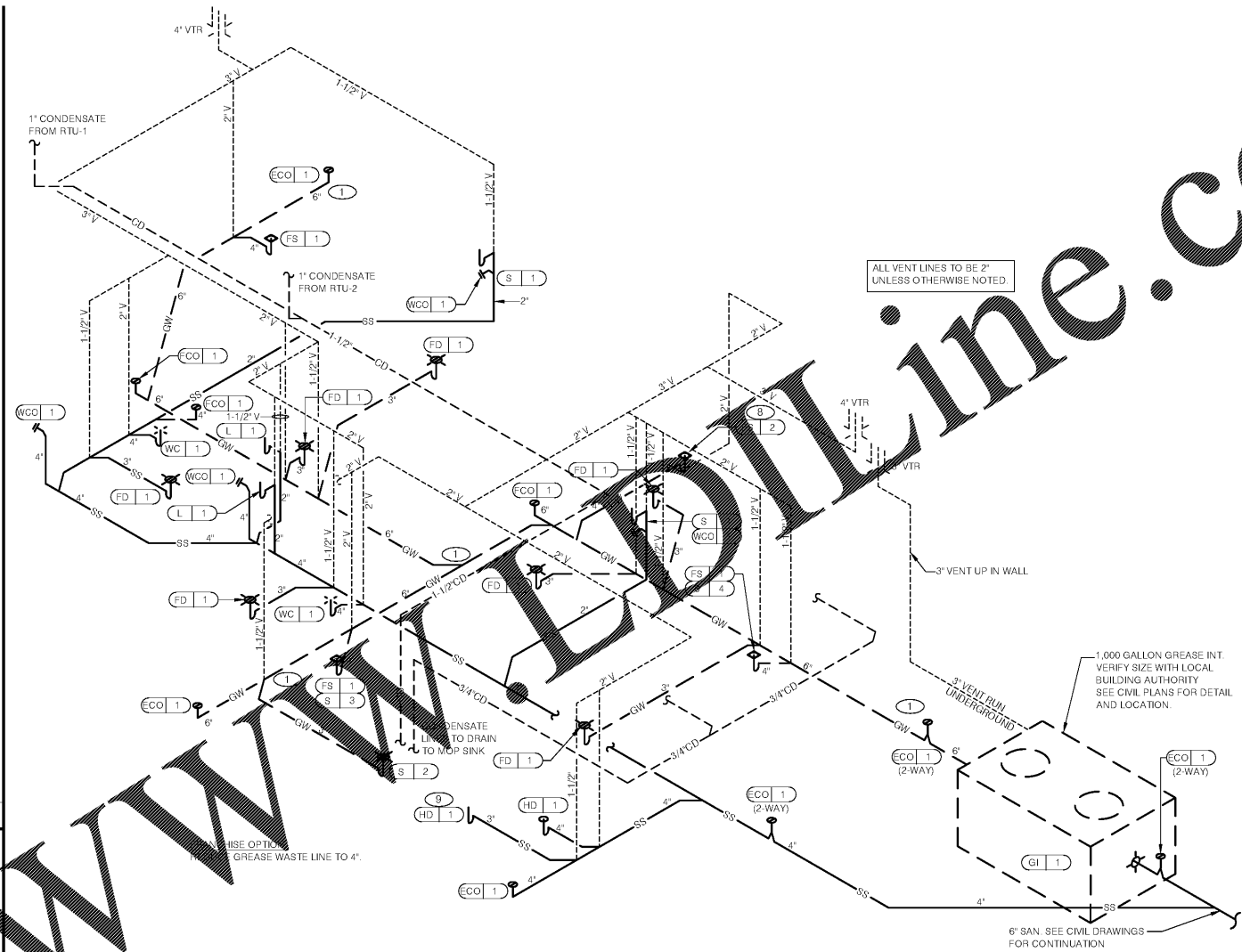
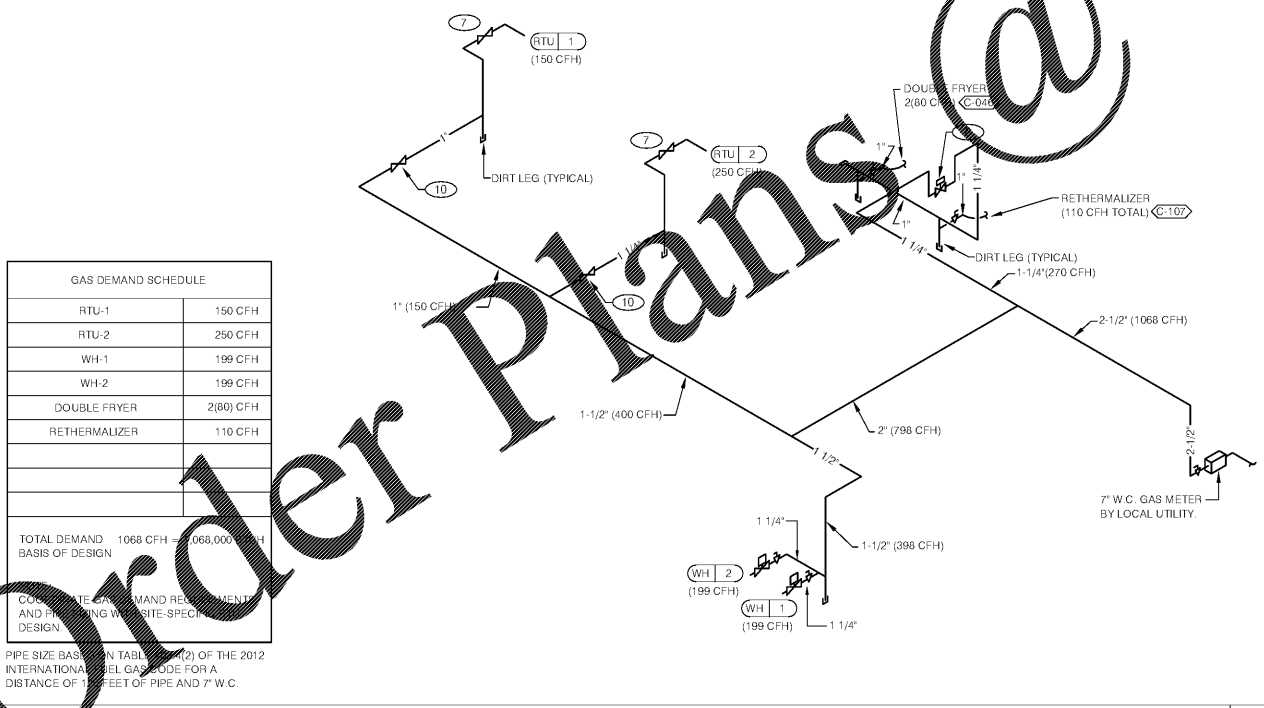


WATER ISOMETRIC(SIMILAR) N.T.S. **4**



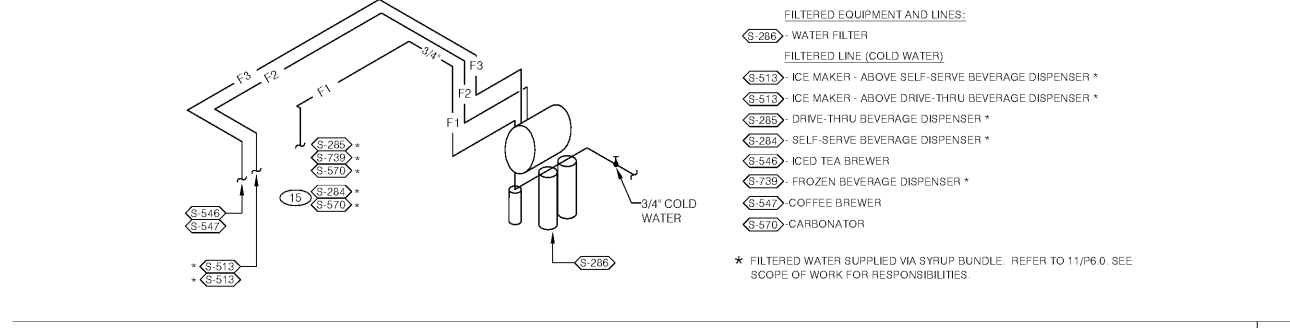
WASTE AND VENT ISOMETRIC(SIMILAR) N.T.S. **1**



GAS ISOMETRIC N.T.S. **5**

GAS DEMAND SCHEDULE	
RTU-1	150 CFH
RTU-2	250 CFH
WH-1	199 CFH
WH-2	199 CFH
DOUBLE FRYER	2(80) CFH
RETHEMALIZER	110 CFH
TOTAL DEMAND 1068 CFH - 1068,000 BTU/H	
BASIS OF DESIGN	

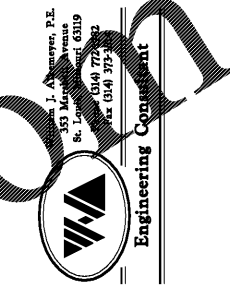
PIPE SIZE BASED ON TABLE 100.2(2) OF THE 2012 INTERNATIONAL GAS CODE FOR A DISTANCE OF 10 FEET OF PIPE AND 7\"/>



FILTERED WATER ISOMETRIC N.T.S. **2**

- 1 ENTIRE RUN OF DRAIN LINES ON INLET TO GREASE TRAP SHALL BE SCHEDULE 40 PVC OR NO HUB CAST IRON AS REQUIRED BY CODE.
- 2 1/2\"/>

KEYNOTES **3**



PERMIT/CONSTRUCTION SET
DATE: FEB. 28, 2018

CONTRACT DATE: XX.XX.XX
BUILDING TYPE: EXPLORER LITE 40
PLAN VERSION: DECEMBER 2017
SITE NUMBER: XXX-XXX
STORE NUMBER: XXXXX

TACO BELL
101 MONTGOMERY CROSSING
BISCOE, NC 27209



RISER DIAGRAMS
P5.0

PLOT DATE: