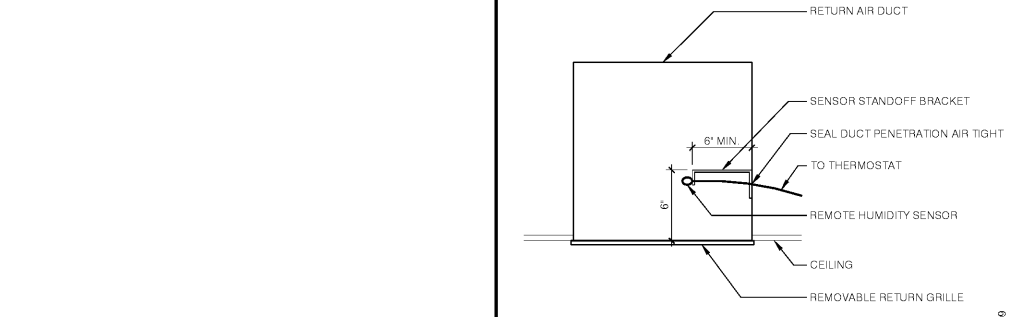
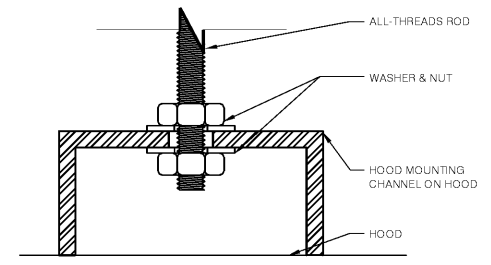


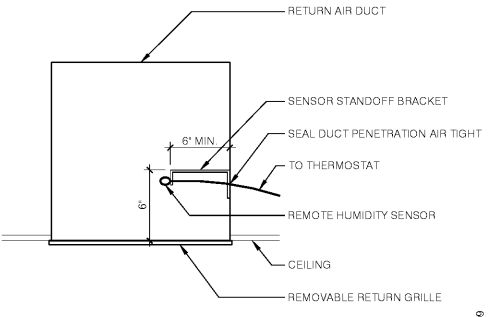
TB HOOD DUCT TRANSITION N.T.S. **18**



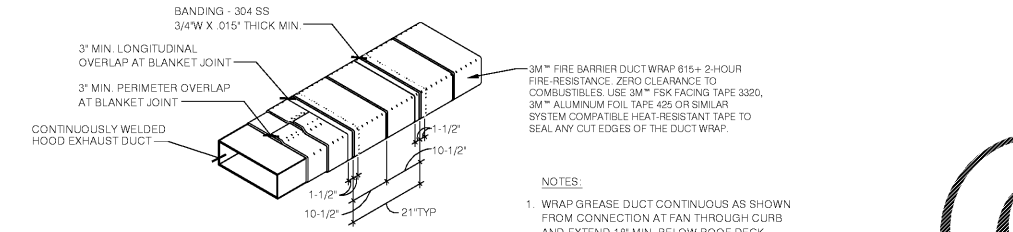
REMOTE HUMIDITY SENSOR N.T.S. **9**



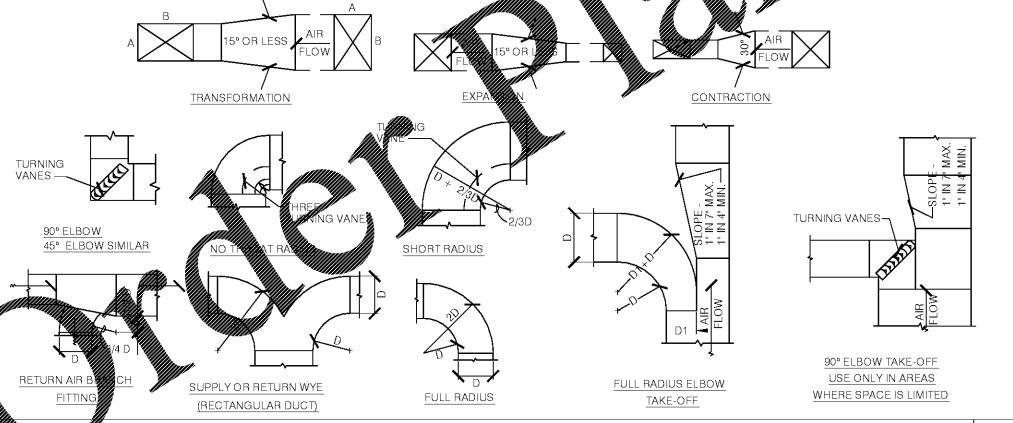
BOLT CONNECTION TO HOOD N.T.S. **14**



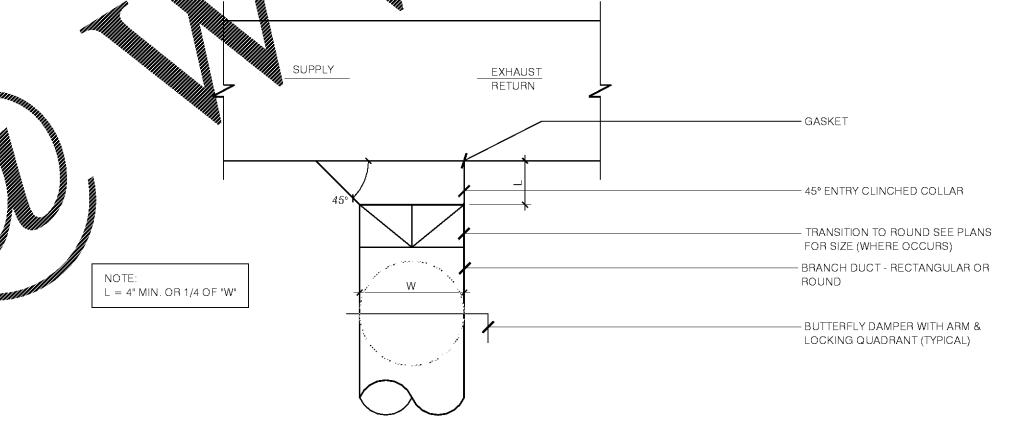
RESTROOM FAN (EF-2) N.T.S. **2**



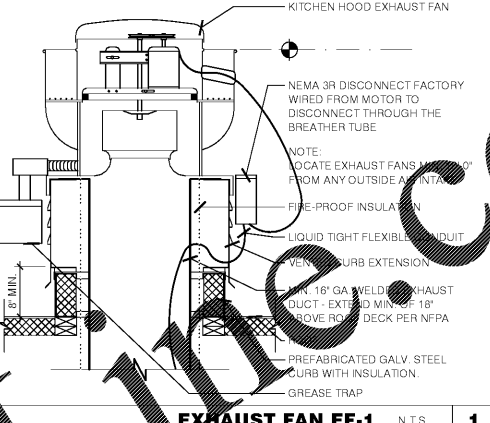
KITCHEN HOOD EXHAUST DUCT SYSTEM DETAIL N.T.S. **15**



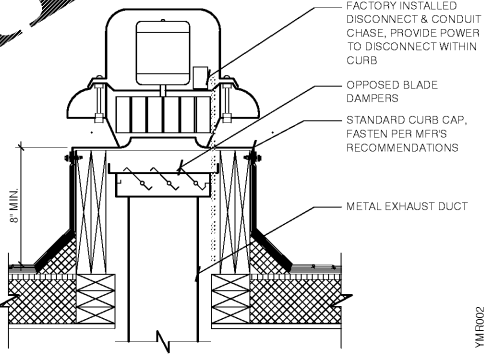
TYPICAL DUCTWORK DETAILS N.T.S. **16**



CEILING DIFFUSER CONNECTIONS N.T.S. **8**



EXHAUST FAN EF-1 N.T.S. **1**



KITCHEN HOOD EXHAUST DUCT SYSTEM DETAIL N.T.S. **15**

HOOD NOTES AND SPECS (TYP.) **4**

- Hoods shall be constructed of minimum 20 gauge stainless steel with # 3 polish. All unexposed surfaces shall be constructed of minimum 18 gauge aluminized steel.
- UL classified aluminum or stainless steel baffle-type filters shall be easily removed for cleaning. Filter housing shall terminate in a pitched grease trough that drains into a removable stainless steel grease cup.
- UL listed and NSF approved vapor proof incandescent light fixtures pre-wired to junction box at top of hood in accordance with NEC 70.
- Pre-piped fire suppression systems shall be located on the top of the hood and provided with the hood or by a certified technician. Final location of all nozzles and fire suppression drops to be locally approved and inspected.

Hood(s) shall be fabricated in accordance with NFPA Bulletin #96 and shall bear the NSF Seal of Approval. Hoods shall be listed under UL 710 EXHAUST HOODS FOR COMMERCIAL COOKING EQUIPMENT, Certified by ETL under FILE# 3054604-001.

THIS HOOD DESIGN IS BASED UPON STRATOVENT, MODEL SVND2. MANUFACTURED BY: STRATOVENT VENTILATION HOODS RALEIGH, NC 27816 CONTACT: JEFF JOHNSON, 251-490-6114

HOOD NOTES AND SPECS (TYP.) **4**

J. Alkmeider, P.E.
351 Monticello Avenue
St. Louis, MO 63109
Phone: 314-241-2022
Fax: 314-241-2022
www.walkingpaper.com
Engineering Consultant

PROFESSIONAL ENGINEER
J. Alkmeider, P.E.
05-03-18

PERMIT/CONSTRUCTION SET
DATE: FEB. 28, 2018

CONTRACT DATE: XX-XX-XX
BUILDING TYPE: EXPLORER LITE 40
PLAN VERSION: DECEMBER 2017
SITE NUMBER: XXX-XXX
STORE NUMBER: XXXXX

TACO BELL
101 MONTGOMERY CROSSING
BISCOE, NC 27209

EXPLORER LITE
MEDIUM40

MECHANICAL
AND HOOD
DETAILS

M4.0

PLOT DATE: