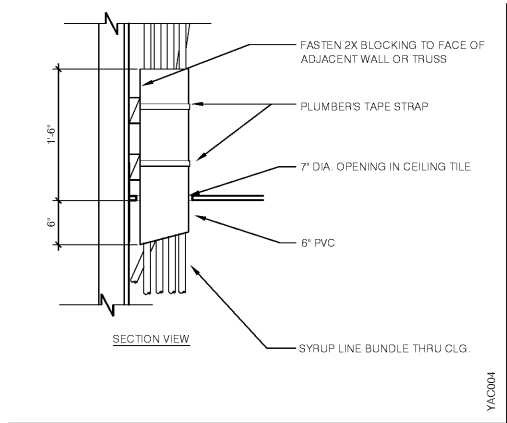
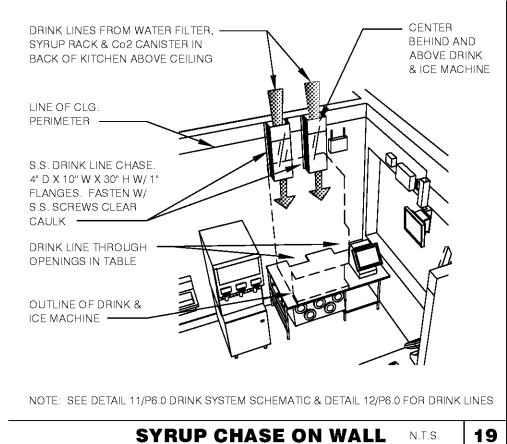


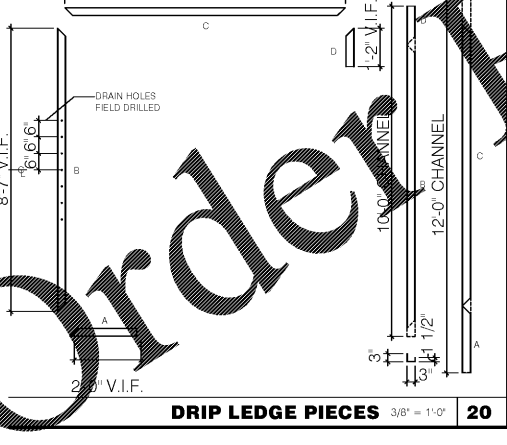
SYRUP LINE IN CEILING N.T.S. 17



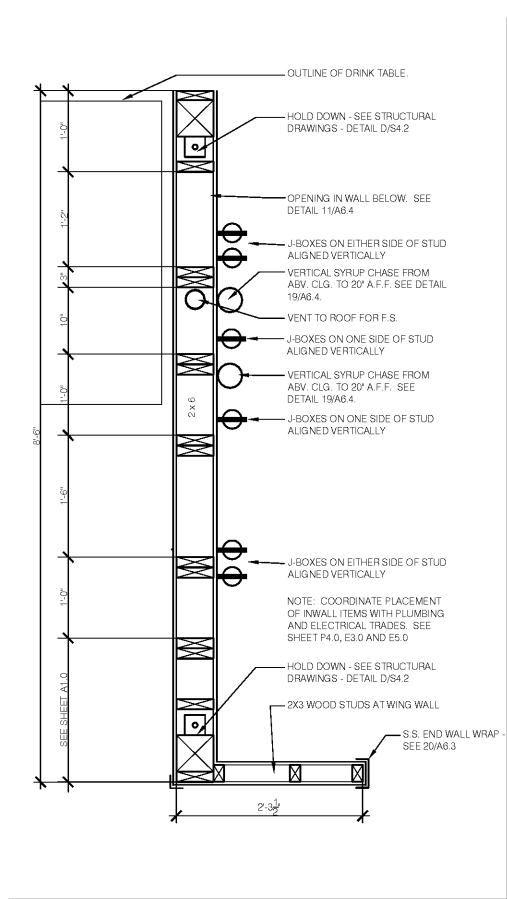
SYRUP BUNDLE CLG. PENETRATION N.T.S. 18



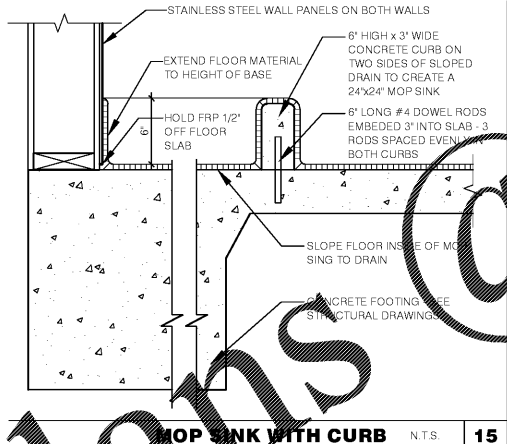
SYRUP CHASE ON WALL N.T.S. 19



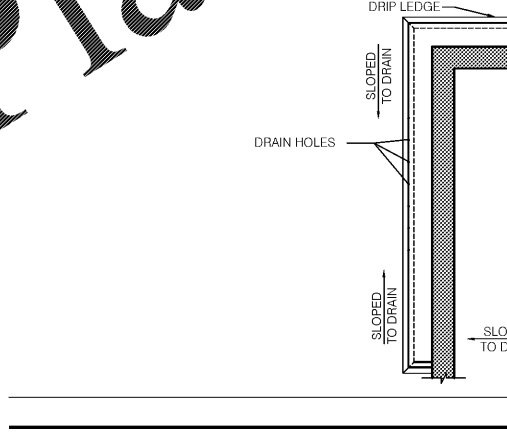
DRIP LEDGE PIECES 3/8" = 1'-0" 20



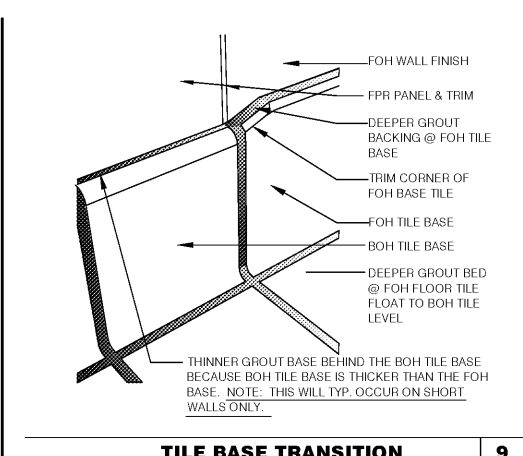
INTERIOR CHASE WALL N.T.S. 14



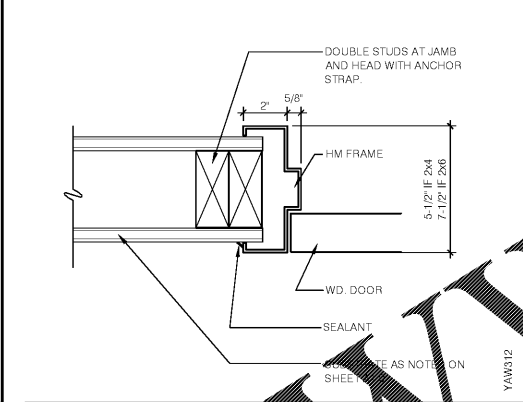
TOP SINK WITH CURB N.T.S. 15



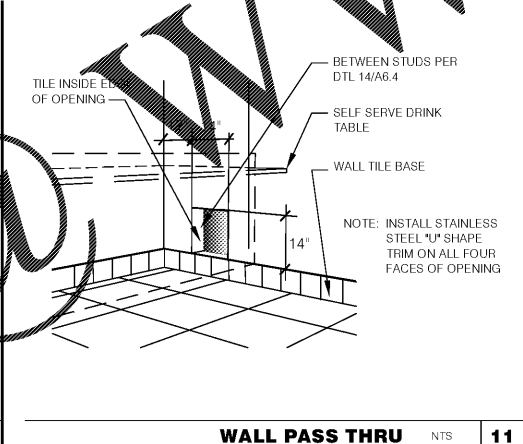
TOWER DRIP LEDGE - PLAN VIEW 1/2" = 1'-0" 12



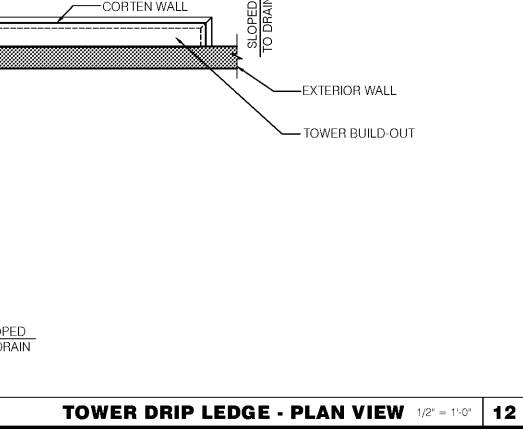
TILE BASE TRANSITION 9



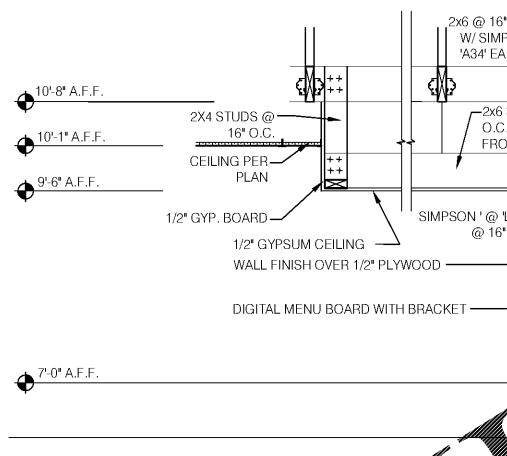
JAMB @ HALL DOOR 10



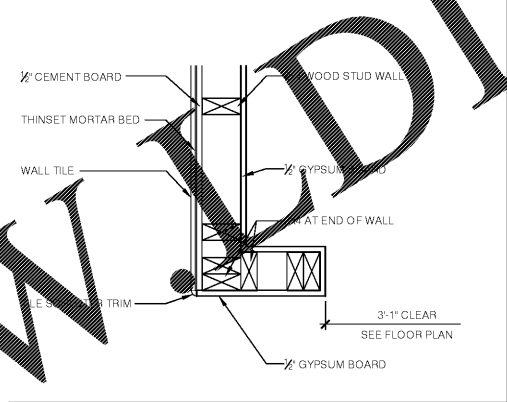
WALL PASS THRU N.T.S. 11



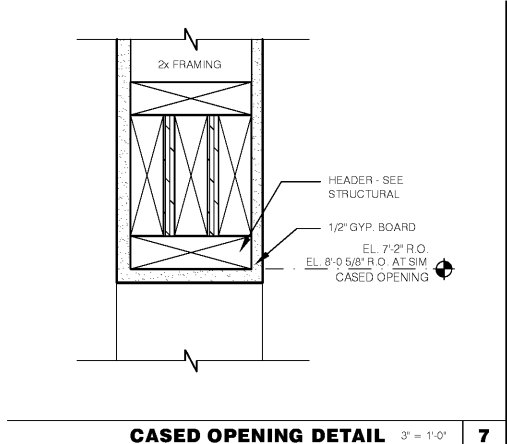
DRIP LEDGE AT TOWER SECTION 1" = 1'-0" 8



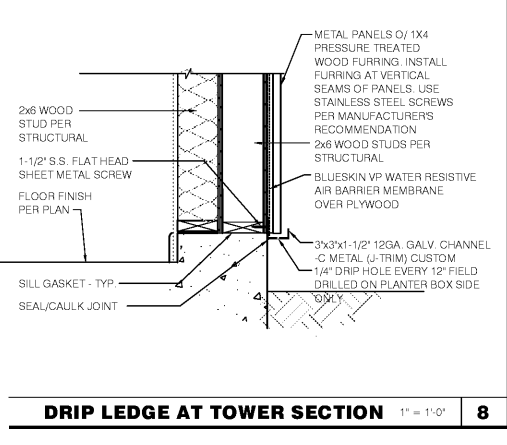
MENU BOARD/SOFFIT SECTION 3/4" = 1'-0" 1



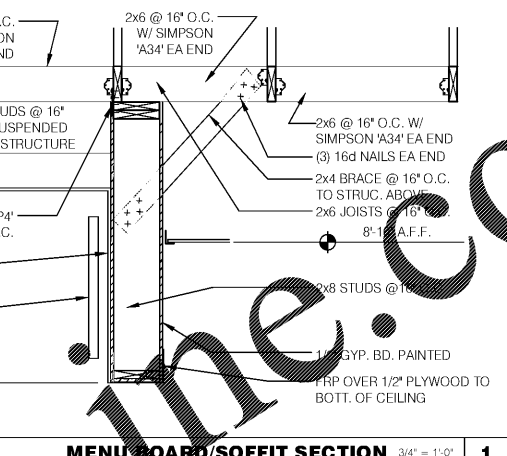
HALLWAY END WALL 1 1/2" = 1'-0" 6



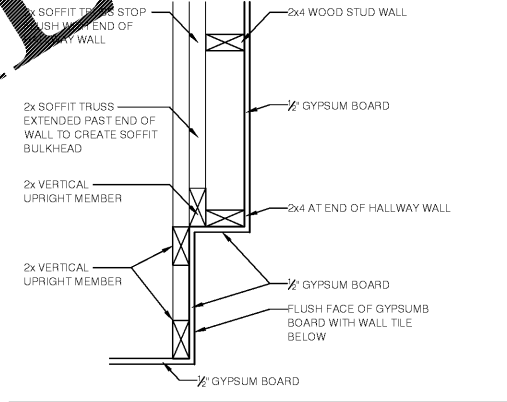
CASED OPENING DETAIL 3" = 1'-0" 7



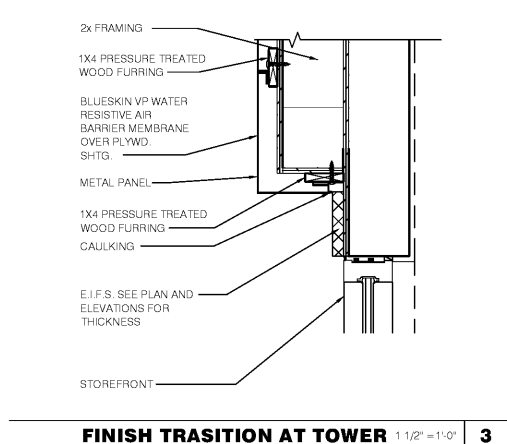
FINISH TRINATION AT TOWER 1 1/2" = 1'-0" 3



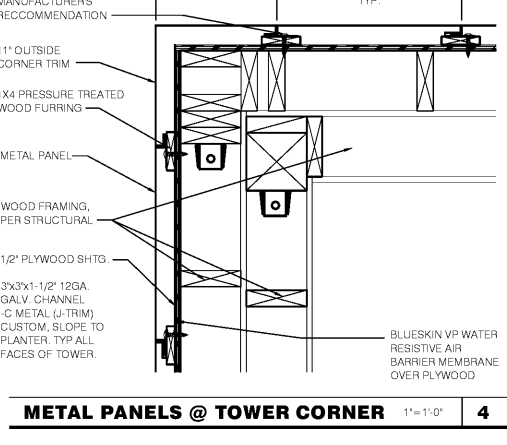
SOFFIT FRAMING PLAN AT WALL 1 1/2" = 1'-0" 2



CASED OPENING DETAIL 3" = 1'-0" 7



FINISH TRINATION AT TOWER 1 1/2" = 1'-0" 3



METAL PANELS @ TOWER CORNER 1" = 1'-0" 4



1232 Washington Ave.
Suite 310
St. Louis, MO 63103
p: 314.241.6262
f: 314.241.6263
www.m2astudio.com



Mark J. Gettemeyer, Architect

PERMIT/CONSTRUCTION SET
DATE: MAY 4, 2018

CONTRACT DATE: XX-XX-XX
BUILDING TYPE: EXPLORER LITE 40
PLAN VERSION: DECEMBER 2017
SITE NUMBER: XXX-XXX
STORE NUMBER: XXXXX

TACO BELL
101 MONTGOMERY CROSSING
BISCOE, NC 27209



EXPLORER LITE
MEDIUM 40

CONSTRUCTION DETAILS INTERIOR

A6.4

PLOT DATE:

Order Plans @ www.dline.com