



1232 washington ave.
suite 310
st. louis, mo 63103
p: 314.241.6262
f: 314.241.6263
www.m2astudio.com



Mark J. Gettemeyer, Architect

PERMIT/CONSTRUCTION SET
DATE: MAY 4, 2018

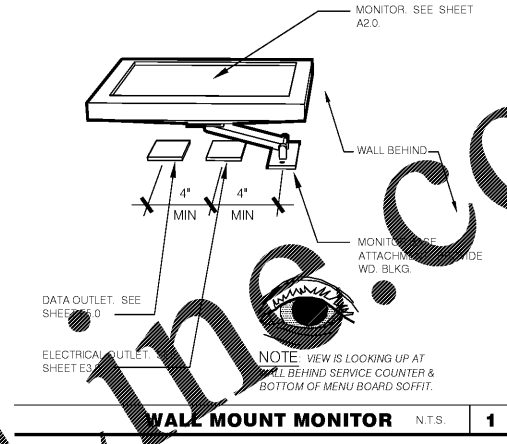
CONTRACT DATE: XXXX-XX
BUILDING TYPE: EXPLORER LITE 40
PLAN VERSION: DECEMBER 2017
SITE NUMBER: XXX-XXX
STORE NUMBER: XXXXX

TACO BELL
101 MONTGOMERY CROSSING
BISCOE, NC 27209

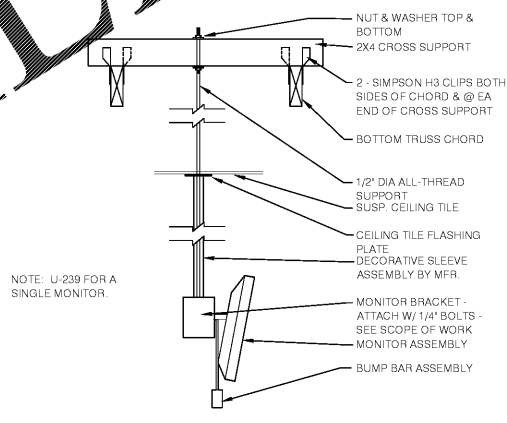


EXPLOER LITE
MEDIUM 40
FINISH DETAILS
A6.3

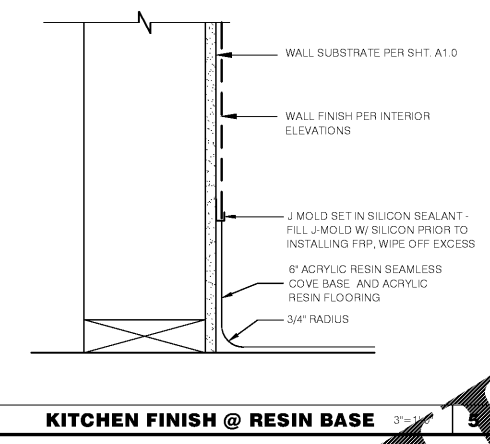
PLOT DATE:



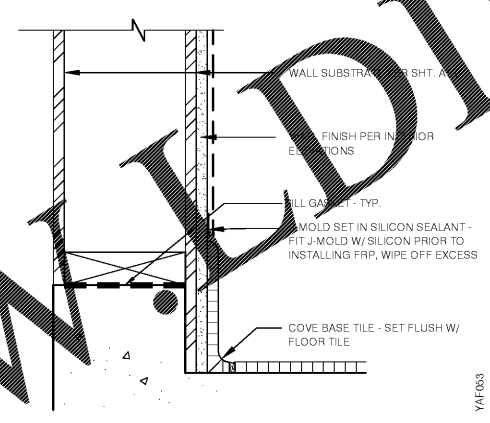
WALL MOUNT MONITOR N.T.S. 1



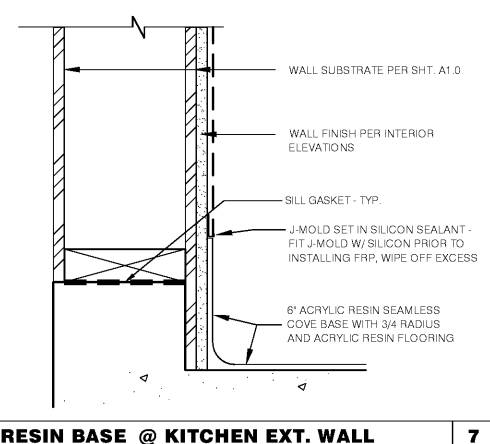
CEILING MOUNT MONITOR BRACKET N.T.S. 2



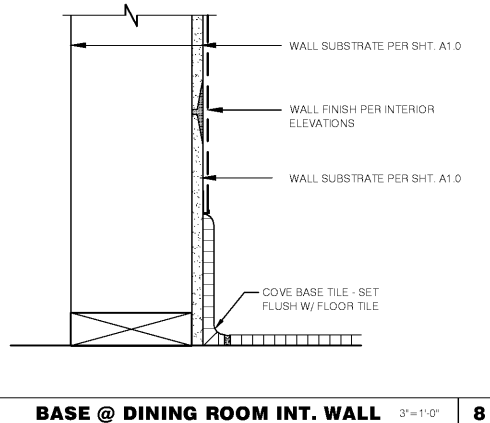
KITCHEN FINISH @ RESIN BASE 3"=1'-0" 5



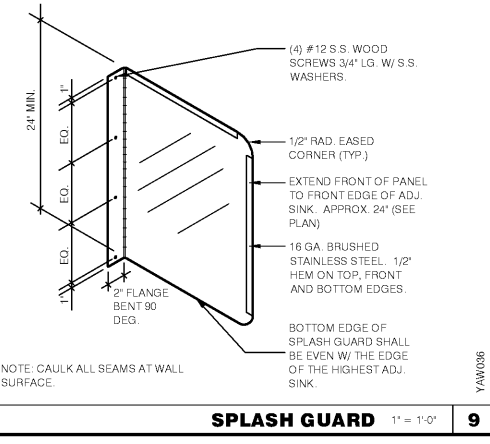
BASE @ DINING EXT. FRONT WALL 3"=1'-0" 6



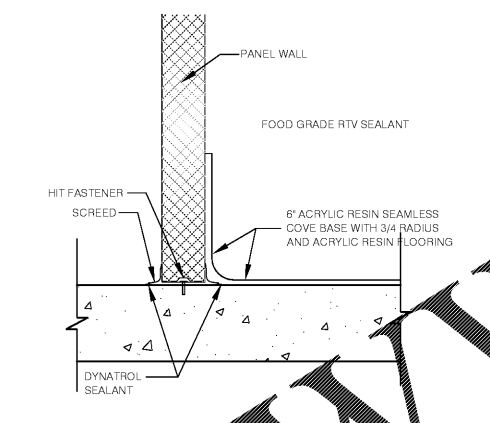
RESIN BASE @ KITCHEN EXT. WALL 7



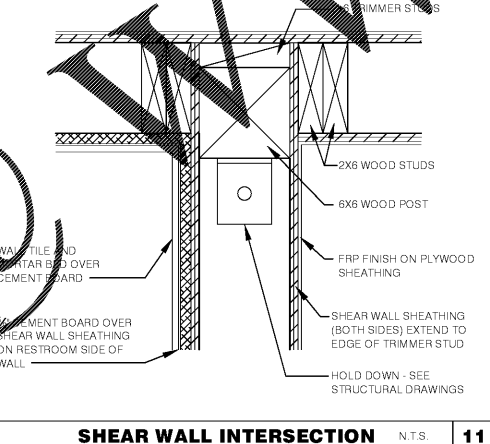
BASE @ DINING ROOM INT. WALL 3"=1'-0" 8



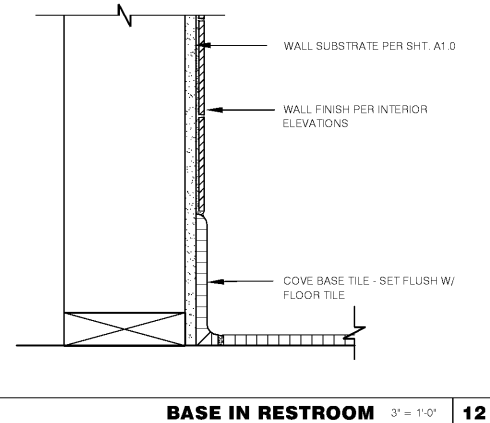
SPLASH GUARD 1"=1'-0" 9



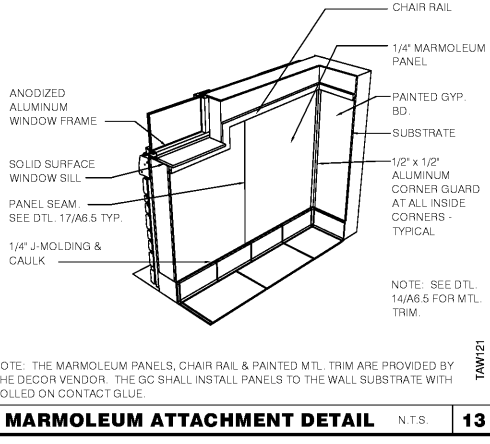
RESIN BASE @ WALK-IN 10



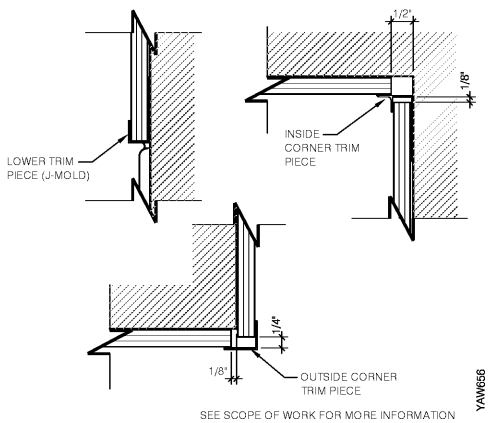
SHEAR WALL INTERSECTION N.T.S. 11



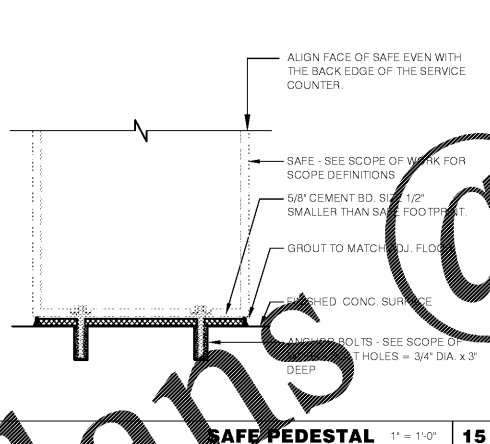
BASE IN RESTROOM 3"=1'-0" 12



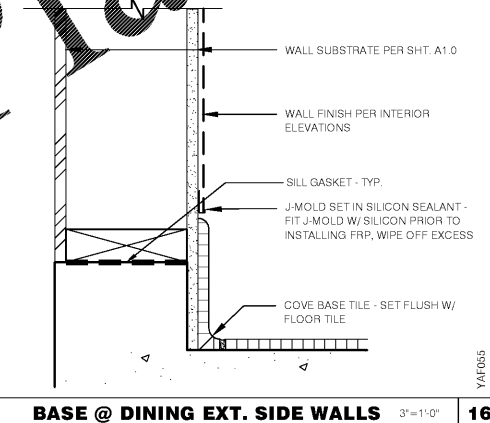
MARMOLEUM ATTACHMENT DETAIL N.T.S. 13



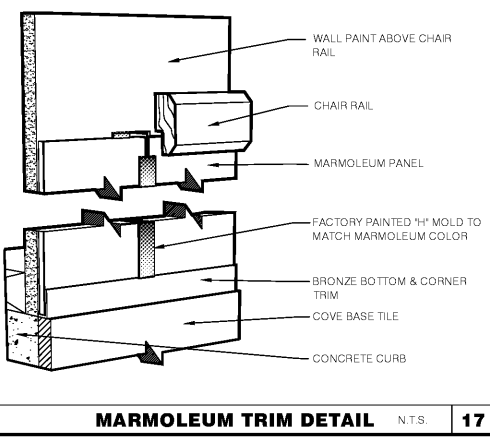
MARMOLEUM TRIM DETAIL 6"=1'-0" 14



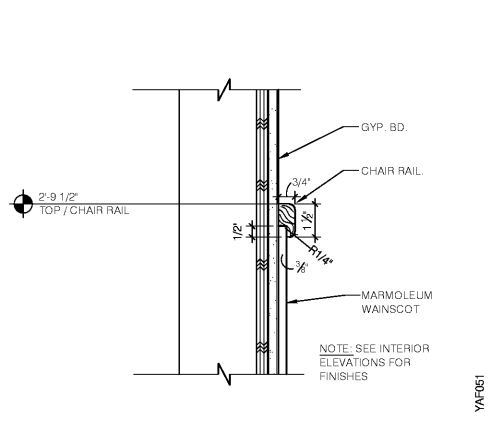
SAFE PEDESTAL 1"=1'-0" 15



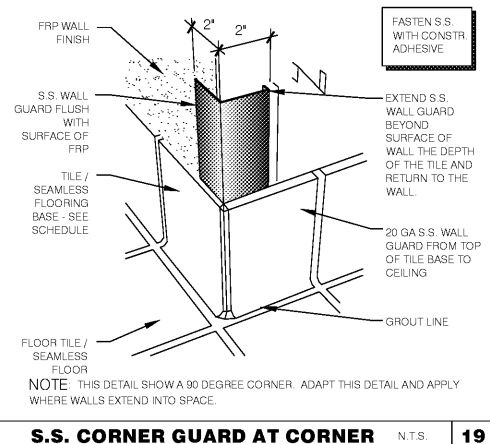
BASE @ DINING EXT. SIDE WALLS 3"=1'-0" 16



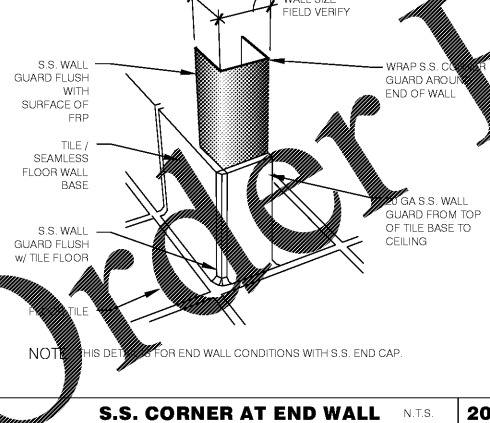
MARMOLEUM TRIM DETAIL N.T.S. 17



SECTION AT CHAIR RAIL 3"=1'-0" 18



S.S. CORNER GUARD AT CORNER N.T.S. 19



S.S. CORNER AT END WALL N.T.S. 20

Order Plans @ WWW.M2ASTUDIO.COM