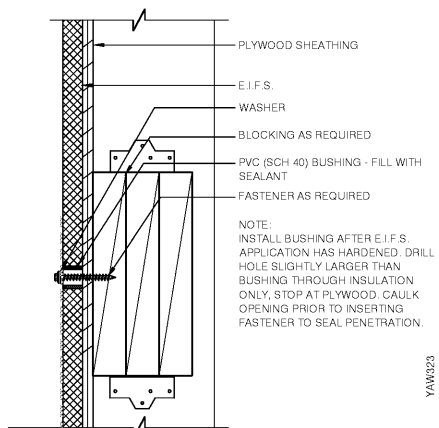


NOTES

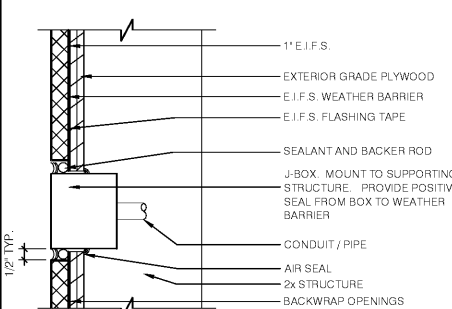
- 1 2X WOOD STUDS
- 2 PLYWOOD SUBSTRATE FOR EXTERIOR WALLS
- 3 FLASHING TAPE AT ALL VERTICAL PARAPET TRANSITIONS. EXTEND TAPE 12" OUTWARD AND UPWARD FROM CORNER AS SHOWN. LAP CORNERS WITH ANGLED TAPE AS SHOWN TO INSURE FULL COVERAGE AT CORNERS
- 4 DOUBLE 2X TOP PLATE
- 5 PAINTED 24 GAUGE PARAPET COPING. SLOPE 1/4:1 TOWARDS ROOF WITH FIBER CANT STRIPS UNDER COPING. LAP FRONT AND BACK EDGE 2" DOWN VERTICAL FACE. LAP EXPOSED COPING EDGE EXPOSED ENDS AT VERTICAL PARAPET TRANSITION.
- 6 WRAP 1" THICK EIFS ONTO VERTICAL FACE OF PARAPET TRANSITION
- 7 EIFS FINISH ON OUTER SURFACE OF EXTERIOR WALL. THICKNESS PER THE EXTERIOR ELEVATIONS ON SHEET A4.0
- 8 TERMINATION BAR AT VERTICAL TRANSITION OF EIFS AND MEMBRANE ROOFING. SEAL VERTICAL GAP BETWEEN TERMINATION BAR AND EIFS PER ROOFING MANUFACTURER SPECIFICATIONS.
- 9 PVC ROOFING MEMBRANE ON BACKSIDE OF PARAPET.

IMPORTANT: ONLY FASTEN PARAPET COPING ALONG THE FRONT AND BACK VERTICAL EDGE. NEVER ON TOP OF COPING.

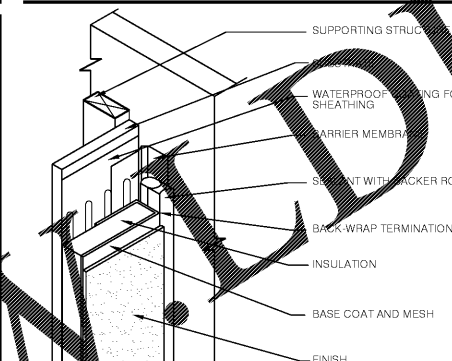
PARAPET CAP & TRANSITION N.T.S. 14



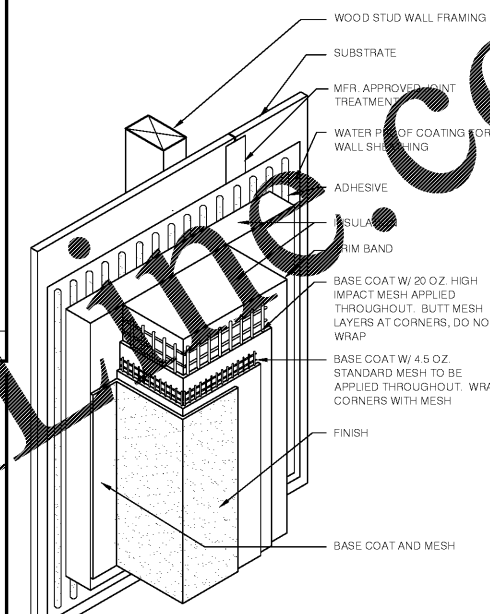
CONNECTION THRU EIFS 3" = 1'-0" 9



CO2 FILL / J-BOX IN EIFS 3" = 1'-0" 10



TYP. EIFS @ INSIDE CORNER N.T.S. 6



TYP. EIFS. TRIM HIGH-IMPACT N.T.S. 2



1232 washington ave.
suite 310
st. louis, mo 63103
p: 314.241.6262
f: 314.241.6263
www.m2astudio.com



Mark J. Gettemeyer, Architect

PERMIT/CONSTRUCTION SET
DATE: MAY 4, 2018

CONTRACT DATE: XXX-XXX
BUILDING TYPE: EXPLORER LITE 40
PLAN VERSION: DECEMBER 2017
SITE NUMBER: XXX-XXX
STORE NUMBER: XXXXX

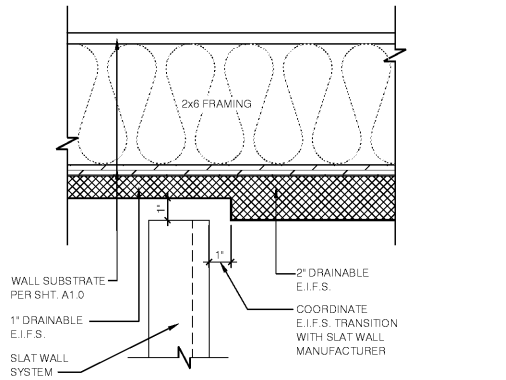
TACO BELL
101 MONTGOMERY CROSSING
BISCOE, NC 27209

TACO BELL
EXPLORER LITE
MEDIUM 40
CONST. DETAILS WALL

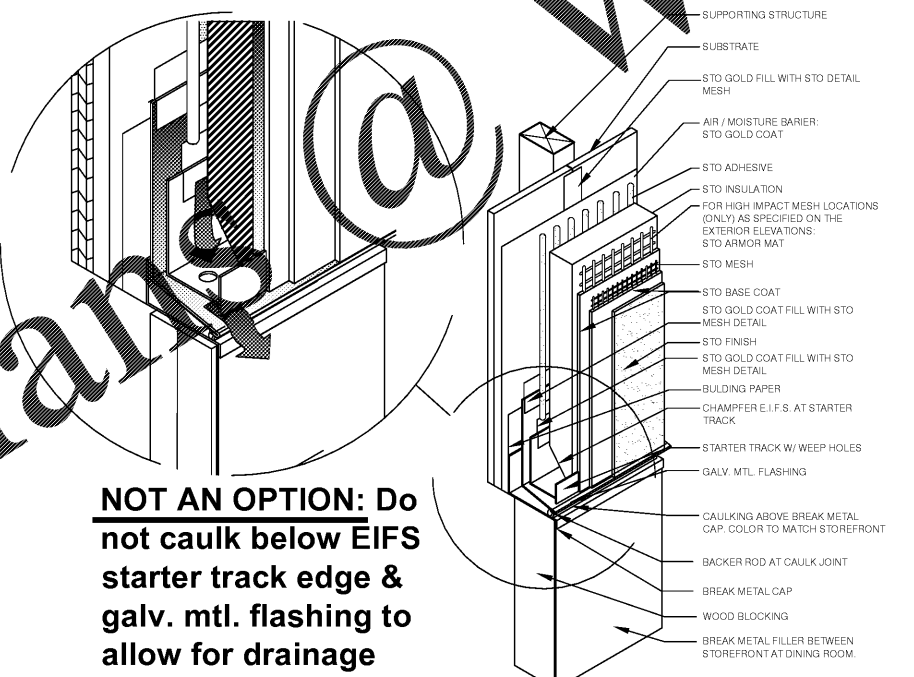
A6.2

PLOT DATE:

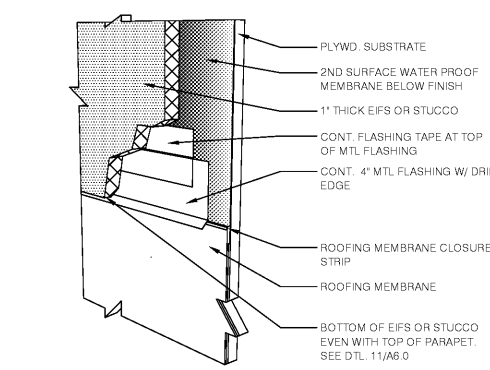
NOT USED N.T.S. 10



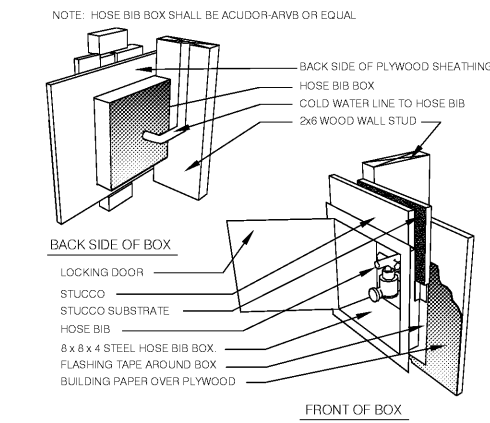
E.I.F.S. TRANSITION @ SLAT WALL 3" = 1'-0" 19



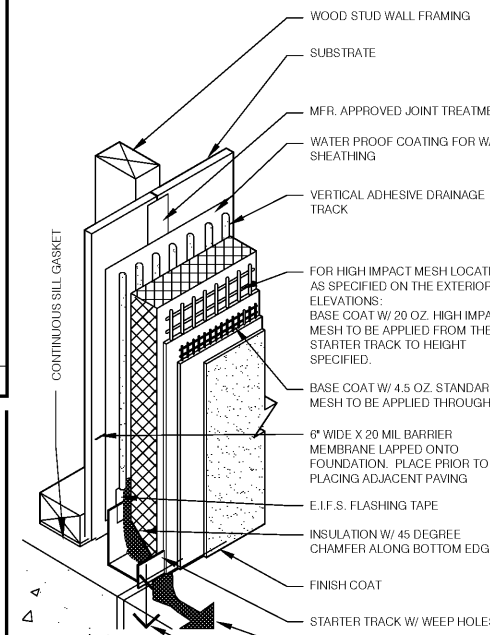
E.I.F.S FLASHING AT TOP OF BREAK METAL 1/2" = 1'-0" 20



E.I.F.S. TO BASE FLASHING N.T.S. 7



HOSE BIB BOX N.T.S. 8



TYP. EIFS. BASE TERMINATION N.T.S. 4

NOT AN OPTION: Do not caulk below EIFS starter track edge & galv. mtl. flashing to allow for drainage behind EIFS.

NOTE: E.I.F.S. DETAILS ARE INTENDED TO BE GENERIC. MANUFACTURERS DETAILS AND RECOMMENDATIONS SHOULD BE FOLLOWED. REFER TO SECTION 07240 OF THE SPECIFICATIONS MANUAL.

Order Plans @ WWW.M2ARCHITECTURE.COM