

Mark J. Gettemeyer, Architect

PERMIT/CONSTRUCTION SET
DATE: MAY 4, 2018

CONTRACT DATE: XX-XX-XX
BUILDING TYPE: EXPLORER LITE 40
PLAN VERSION: DECEMBER 2017
SITE NUMBER: XXX-XXX
STORE NUMBER: XXXXX

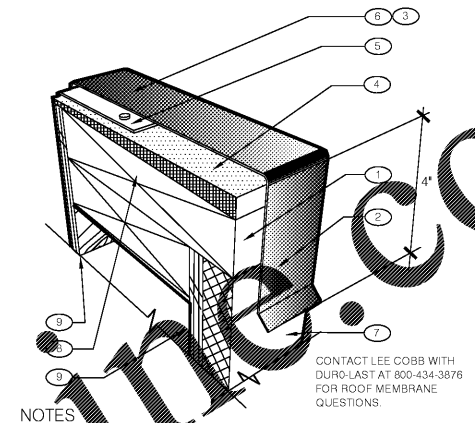
TACO BELL
101 MONTGOMERY CROSSING
BISCOE, NC 27209



EXPLORER LITE
MEDIUM40
CONSTRUCTION
DETAILS
ROOF

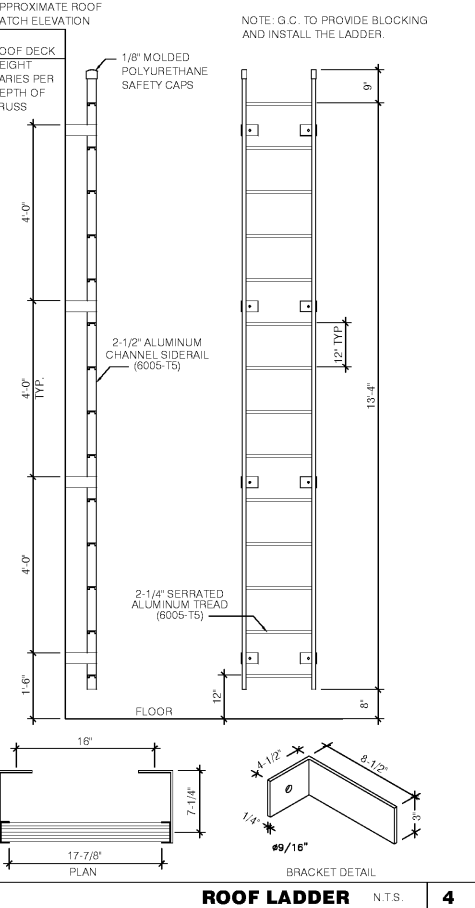
A6.0

PLOT DATE:

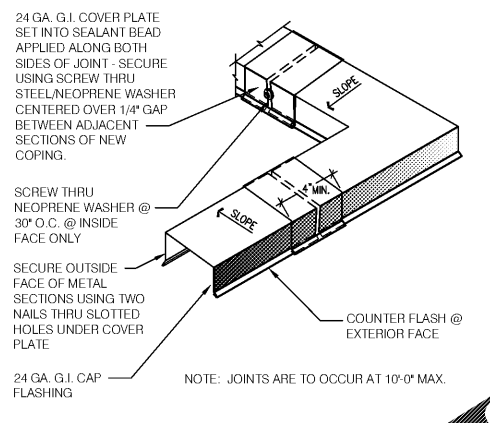


- NOTES**
- PROVIDE WOOD NAILER TO MATCH THE THICKNESS OF THE WALL FINISH. MIN. 1" THICK IS TYPICAL BUT MAY VARY. TOP OF WOOD NAILER SHALL BE FLUSH WITH TOP OF WALL FINISH. THE WOOD NAILER SHALL EXTEND AT LEAST 1/2" INCH BEYOND THE LOWER HORIZONTAL EDGE OF THE PARAPET COPING TO ALLOW FOR PROPER FASTENING.
 - FASTENERS USED TO ATTACH THE COPING TO WOOD NAILERS, MUST BE SPACED NO GREATER THAN 18 - INCHES ON-CENTER.
 - ALLOW FOR 1/8" INCH EXPANSION GAP BETWEEN 10-FOOT LENGTHS OF COPING. PROVIDE A COPING JOINT COVERS BETWEEN ENDS OF COPING PIECES AND AT CORNERS. JOINT COVERS SHOULD BE MADE FROM THE SAME MATERIAL AS THE COPING AND SHOULD LAP THE JOINTS A MINIMUM OF 6" ON EITHER SIDE. JOINT COVERS SHALL BE FASTENED THE SAME WAY AS THE COPING.
 - FIBER CANT STRIP SLOPED 1/4:12 TOWARDS ROOF.
 - ROOF MEMBRANE
 - FACTORY PAINTED 24 GAUGE METAL COPING WITH 4" DROP FRONT, BACK AND ENDS (WHERE SHOWN).
 - WALL FINISH: TYPICALLY 1" THK EIFS OR 7/8" THK STUCCO
 - DOUBLE 2X TOP PLATE
 - PLYWOOD SUBSTRATE. SEE SHEET A1.0 & S2.0 FOR ADDITIONAL DETAILS

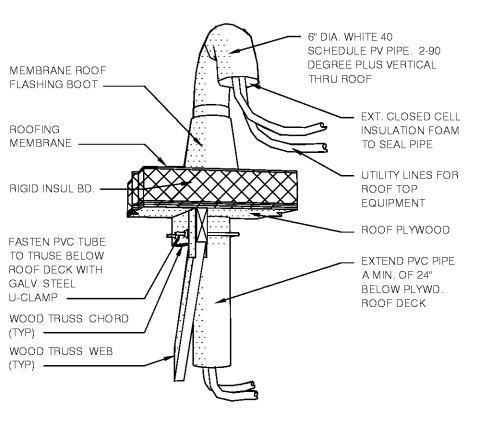
PARAPET CAP N.T.S. **2**



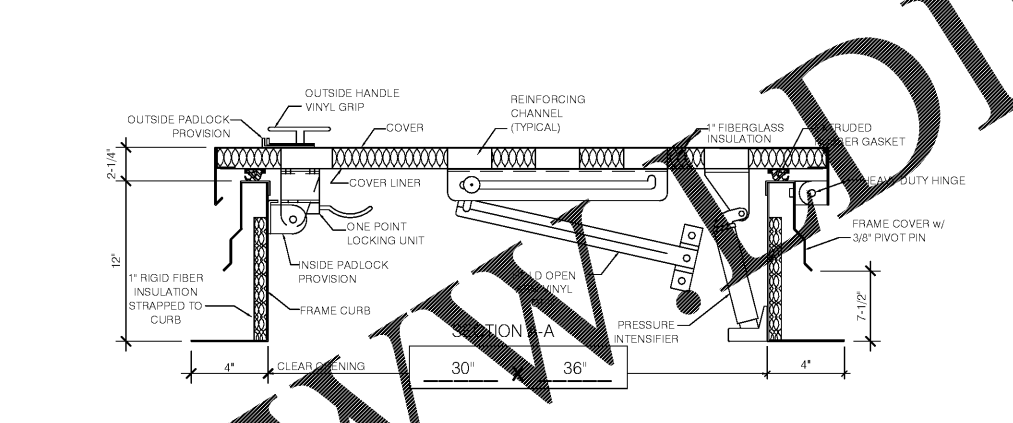
ROOF LADDER N.T.S. **4**



COPING JOINT N.T.S. **5**



PIPE HOOD N.T.S. **9**



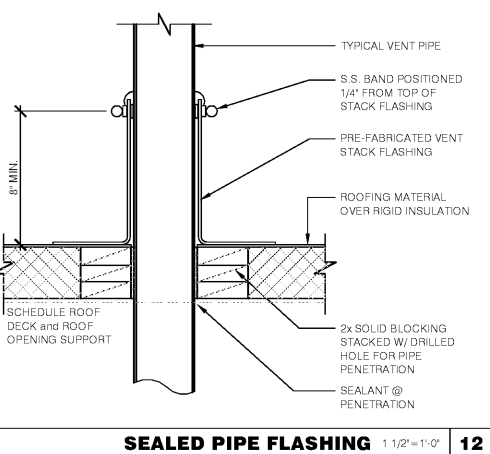
ROOF LADDER AND HATCH 1"=1'-0" **7**

HATCH MATERIAL:
GALVANIZED STEEL (PRIME PAINTED)
COVER - 14 GA. GALV STEEL
FRAME CURB - 14 GA. GALV STEEL
COVER LINER - 22 GA. GALV STEEL

HATCH FINISH:
GALV - PRIME PAINTED

MANUFACTURER:
PRECISION LADDERS, LLC OR EQUAL

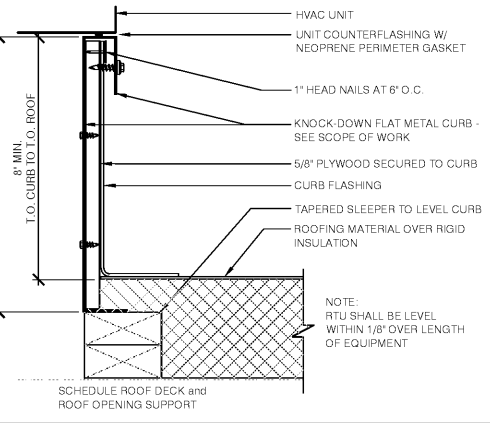
NOTES:
(1) ALL MOUNTING HARDWARE TO BE SUPPLIED BY OTHERS.
(2) FOR OPERATING EFFICIENCY, HATCH HARDWARE VARIES BY SIZE.
EXAMPLE MODEL #: PH-A/G OPENING SIZE IN FEET-INCHES (PH-G2630)



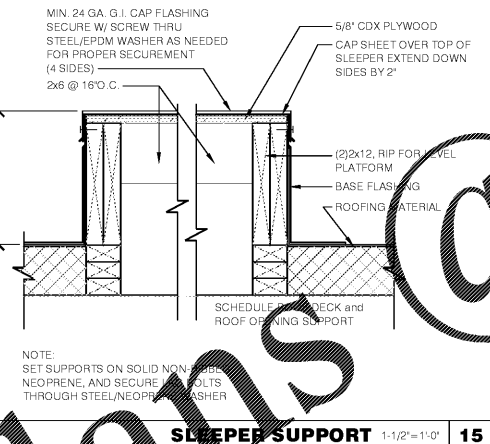
SEALED PIPE FLASHING 1 1/2"=1'-0" **12**



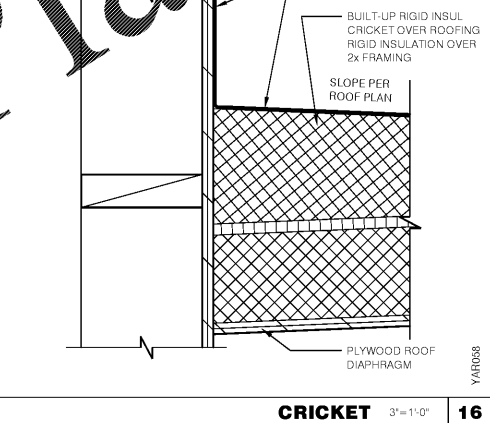
NOT USED N.T.S. **13**



HVAC CURB 3"=1'-0" **14**



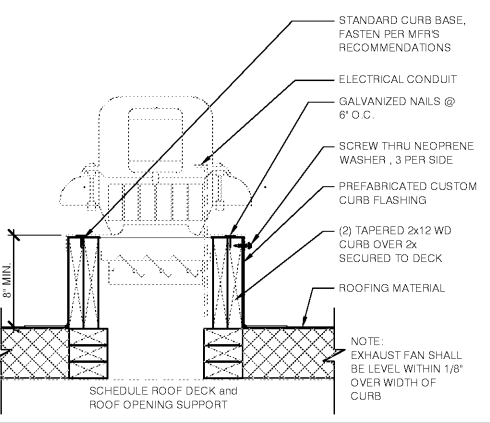
SLEEPER SUPPORT 1-1/2"=1'-0" **15**



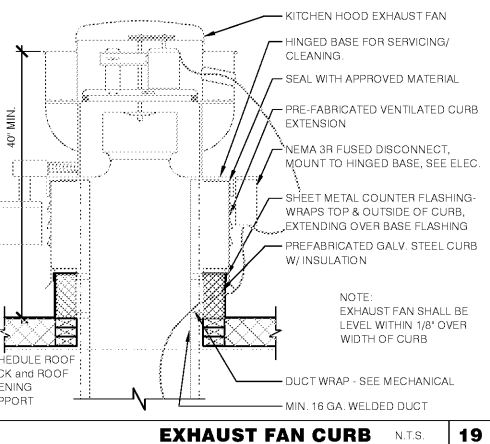
CRICKET 3"=1'-0" **16**



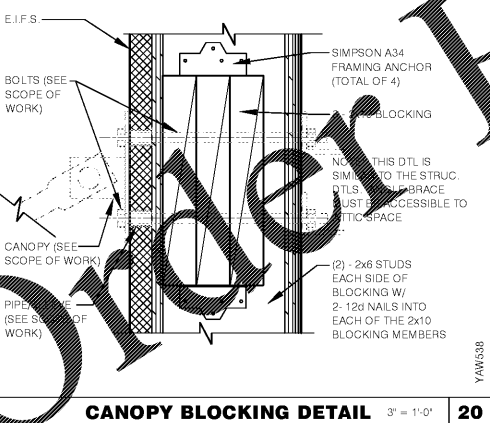
NOT USED **17**



EXHAUST FAN CURB 1-1/2"=1'-0" **18**



EXHAUST FAN CURB N.T.S. **19**



CANOPY BLOCKING DETAIL 3"=1'-0" **20**

Order Plans @