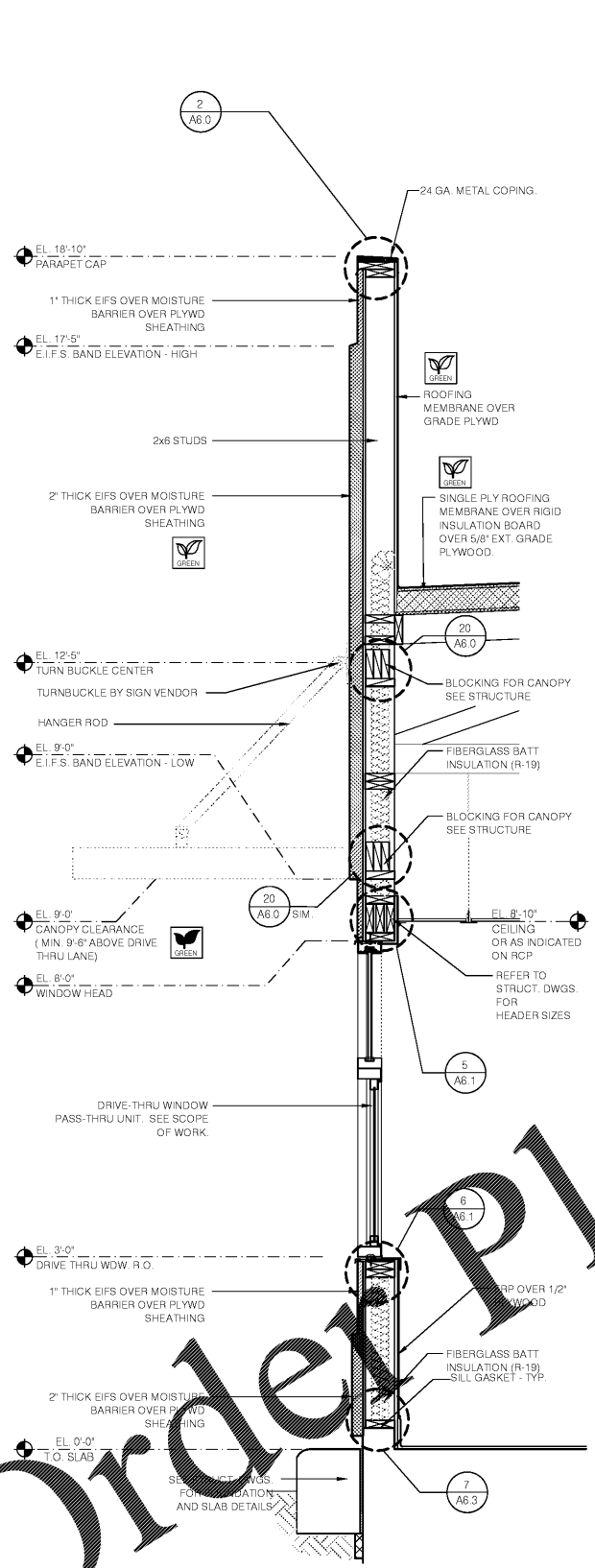
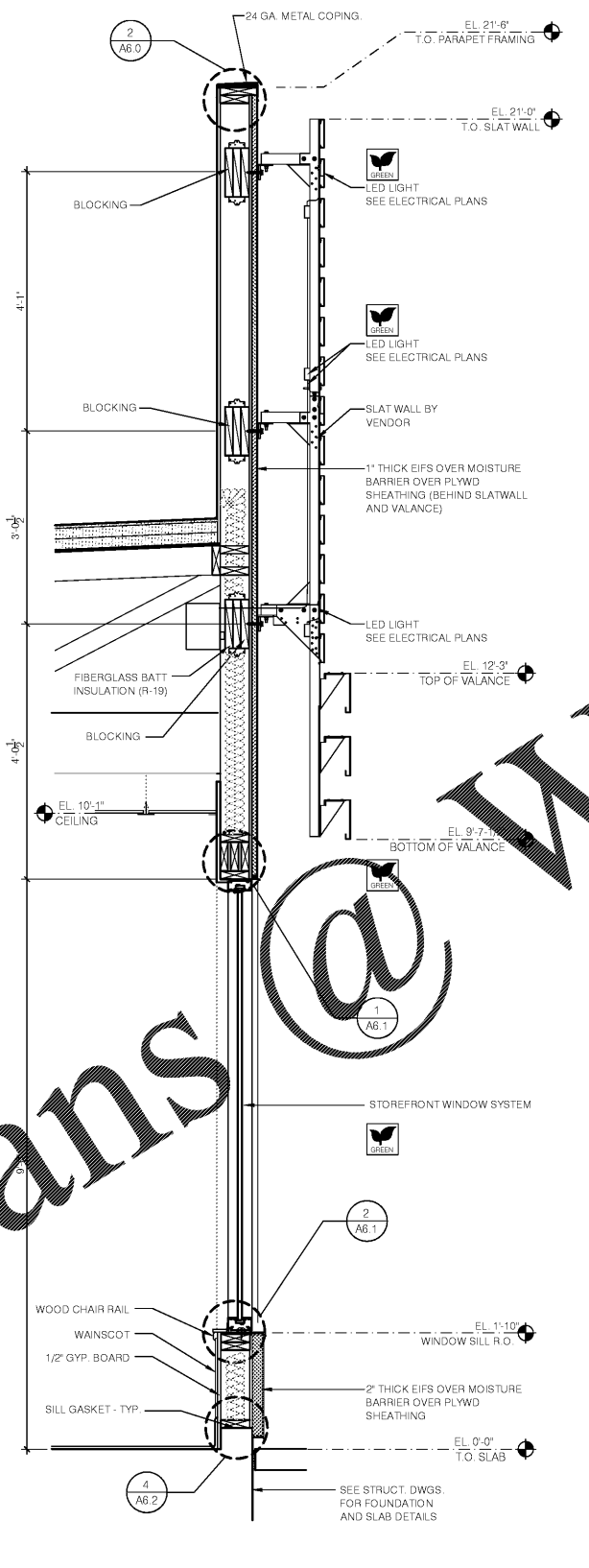


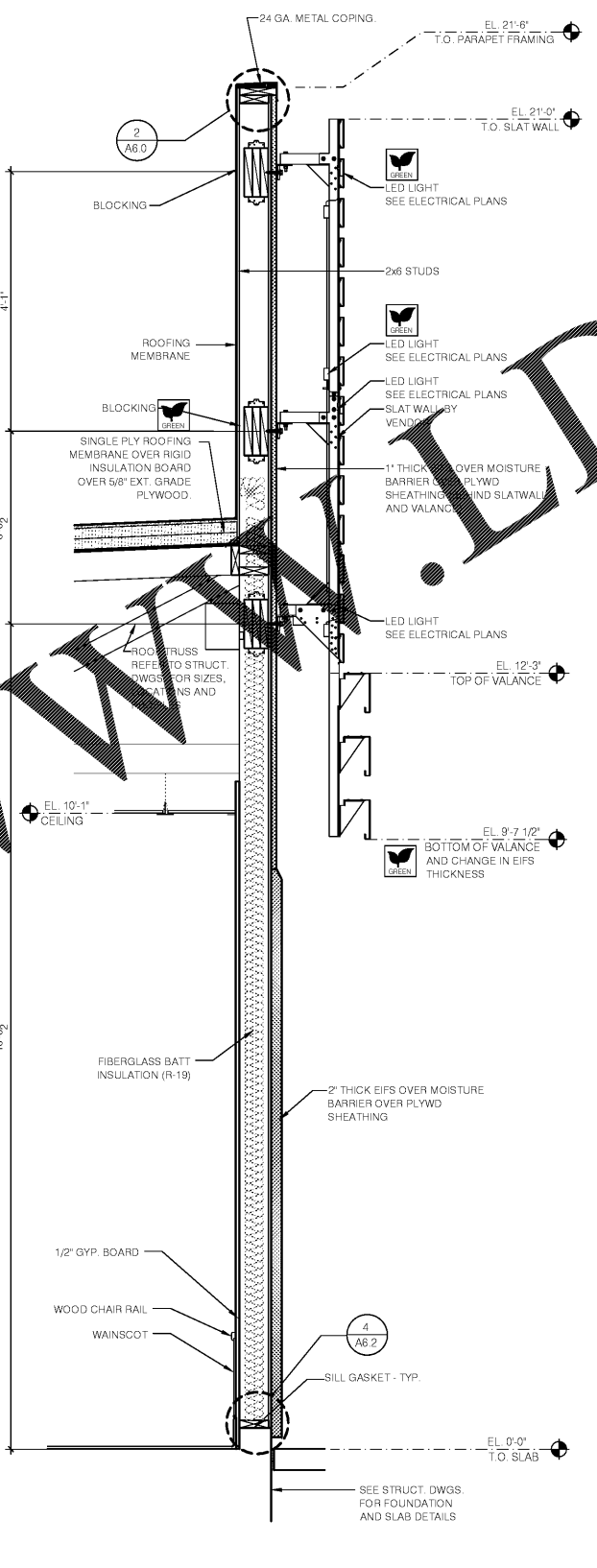
OPTION TO REPLACE RIGID INSULATION W/ BATT INSULATION. BATT TO BE HUNG FROM PLYWOOD DECK BETWEEN JOISTS. ENERGY CALCULATION TO BE REVISED ACCORDINGLY. SEE CALLOUT ON DETAIL B/A5.2



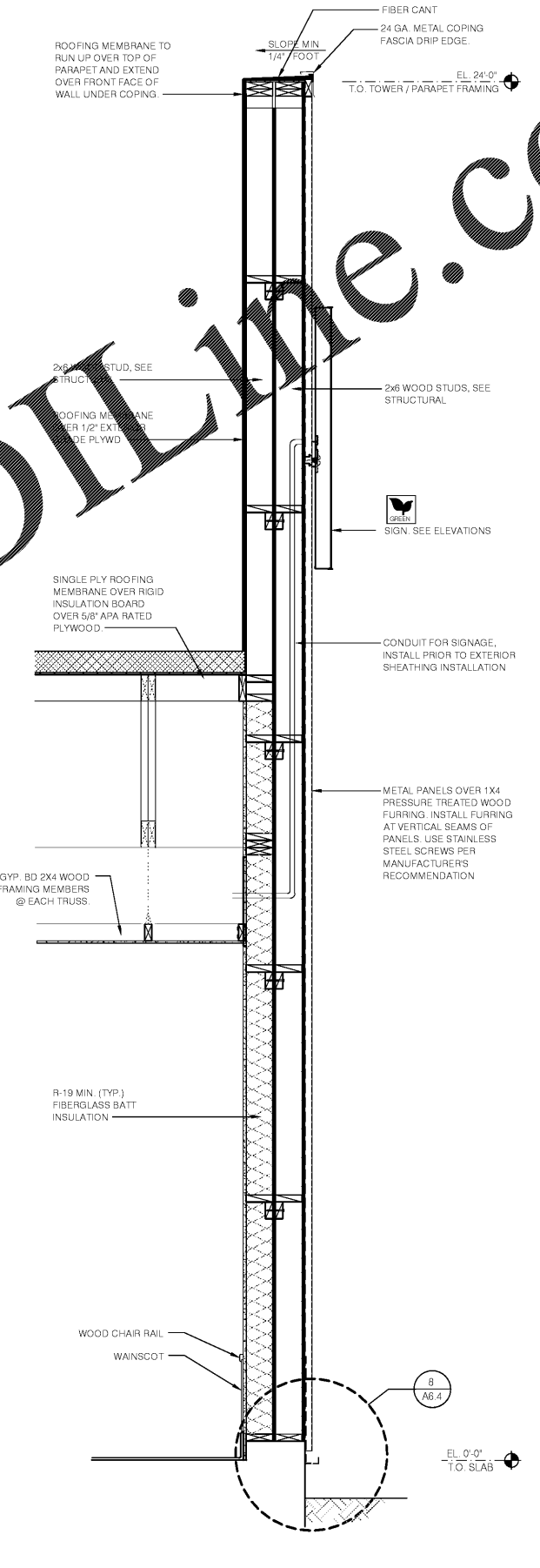
**WALL SECTION AT DRIVE THRU** 3/4" = 1'-0" **D**



**WALL SECTION AT DINING - ENTRY SIDE** 3/4" = 1'-0" **C**



**WALL SECTION AT DINING TYP.** 3/4" = 1'-0" **B**



**SECTION AT DINING - TOWER** 3/4" = 1'-0" **A**



1232 washington ave.  
suite 310  
st. louis, mo 63103  
p: 314.241.6262  
f: 314.241.6263  
www.m2astudio.com



Mark J. Gettemeyer, Architect

PERMIT/CONSTRUCTION SET  
DATE: MAY 4, 2018


CONTRACT DATE: XX.XX.XX  
BUILDING TYPE: EXPLORER LITE 40  
PLAN VERSION: DECEMBER 2017  
SITE NUMBER: XXX-XXX  
STORE NUMBER: XXXXX

**TACO BELL**  
101 MONTGOMERY CROSSING  
BISCOE, NC 27209



**EXPLORER LITE**  
MEDIUM 40

**A5.0**

PLOT DATE: