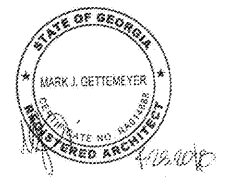
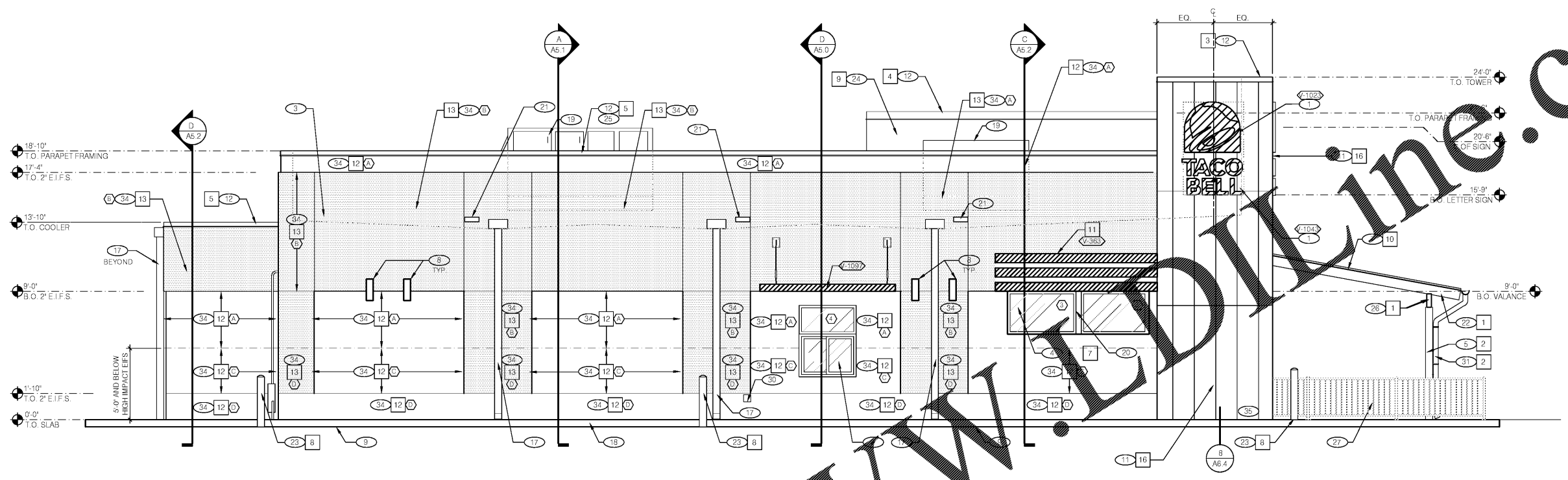




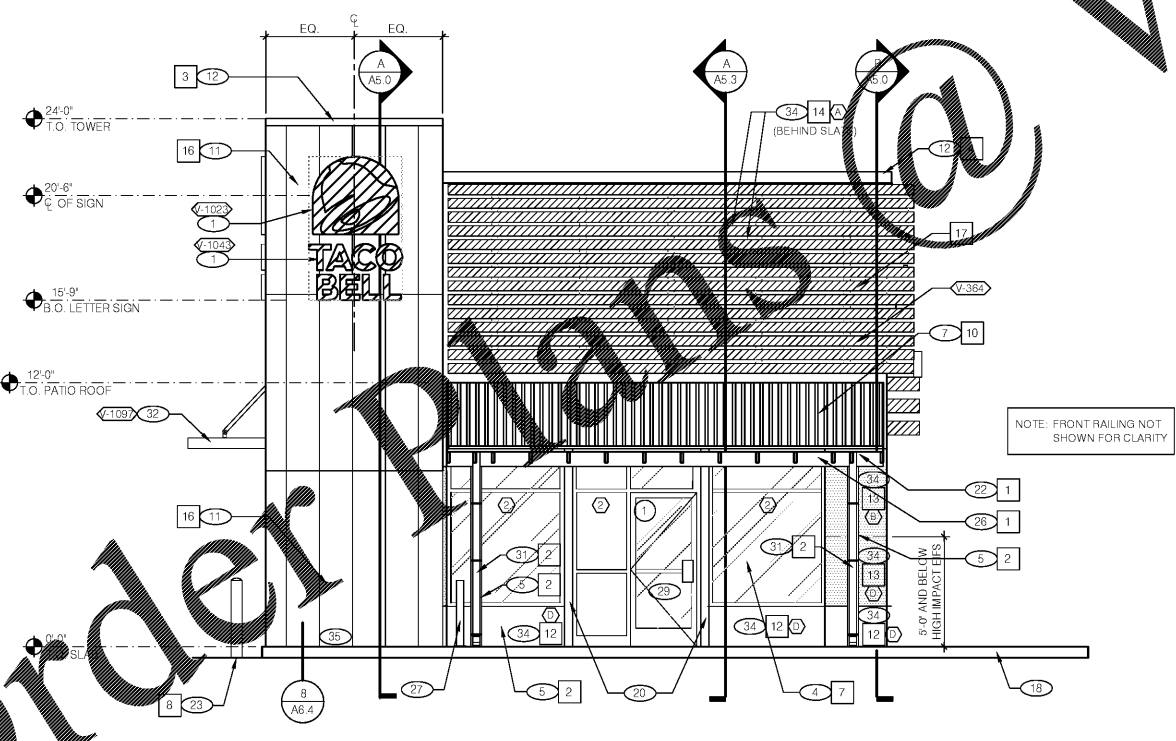
1232 washington ave.
suite 310
st. louis, mo 63103
p: 314.241.6262
f: 314.241.6263
www.m2astudio.com



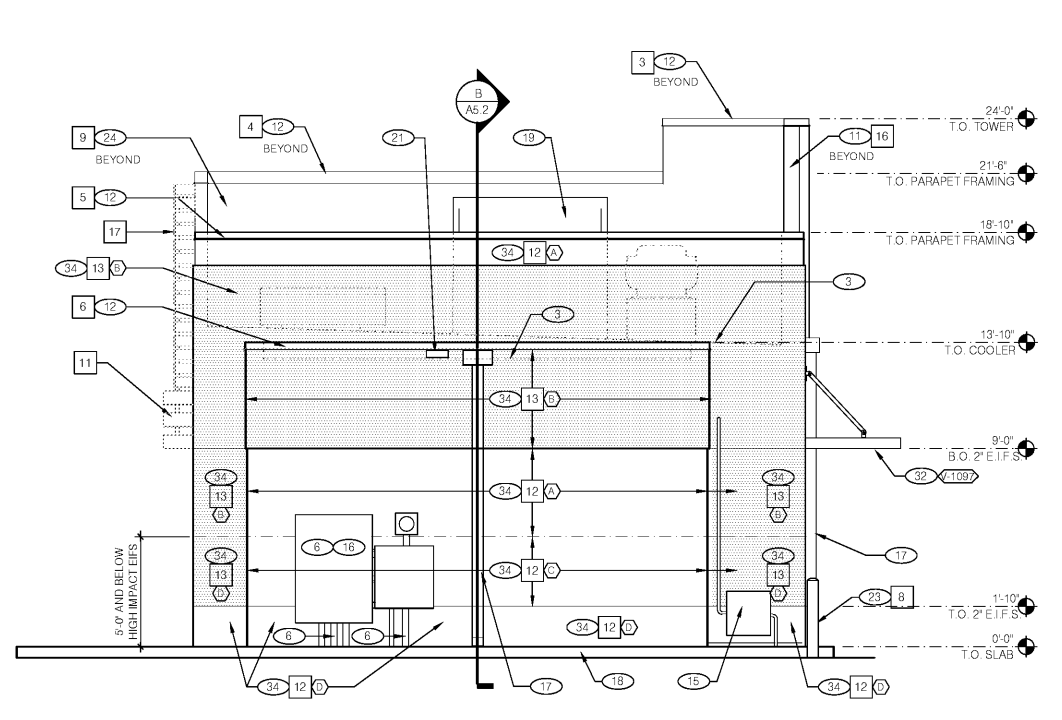
Mark J. Gettemeyer, Architect



LEFT SIDE ELEVATION 1/4" = 1'-0" A



FRONT ELEVATION 1/4" = 1'-0" C



REAR ELEVATION 1/4" = 1'-0" B

PERMIT/CONSTRUCTION SET
DATE: MAY 4, 2018

CONTRACT DATE: XX-XX-XX
BUILDING TYPE: EXPLORER LITE 40
PLAN VERSION: DECEMBER 2017
SITE NUMBER: XXX-XXX
STORE NUMBER: XXXXX

TACO BELL
101 MONTGOMERY CROSSING
BISCOE, NC 27209



EXTERIOR ELEVATIONS

A4.1

PLOT DATE:

Order Plans @ WWW.DLINE.com