
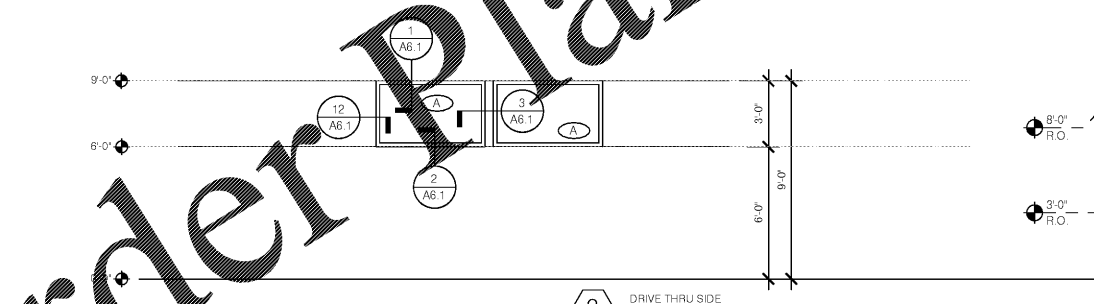
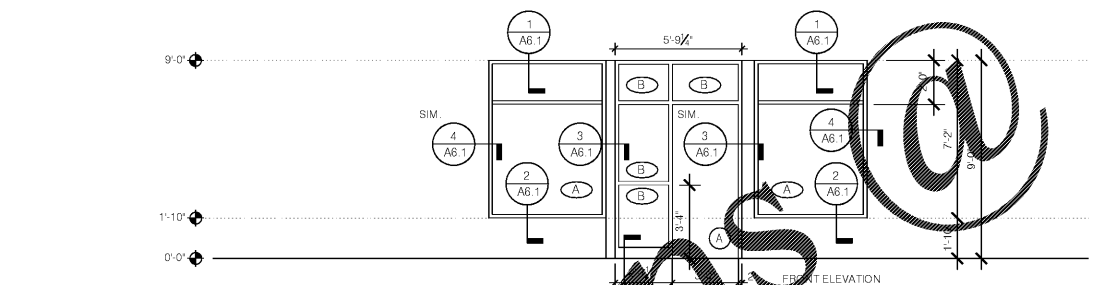
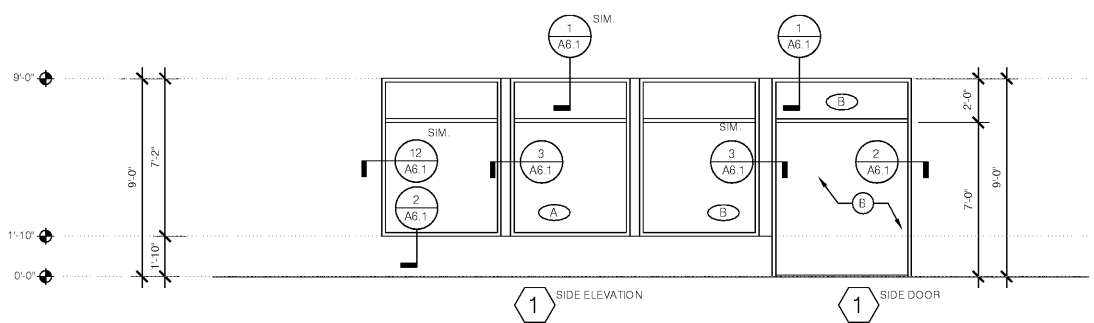


- 1. DIMENSIONS ON THIS DRAWINGS ARE TO FRAME EDGE. REFER TO SHEETS A1.0 AND A5 SHEETS FOR ROUGH OPENING DIMENSIONS.
- 2. ENTIRE STOREFRONT SYSTEM SHALL BE CLEAR ANODIZED.
- 3. NOT USED.
- 4. SEE SCHEDULE FOR GLASS TYPES.
- 5. REFER TO FLOOR PLAN, ELEVATIONS AND WALL SECTIONS FOR ROUGH OPENING DIMENSIONS.
- 6. ALL STOREFRONT MATERIAL AND GLAZING SHALL BE SUPPLIED AND INSTALLED BY G.C. U.O.N.

PREFERRED SUPPLIER	
INTERIOR DOORS, FRAMES & HARDWARE	
LOCKNET CONSTRUCTION@LOCKNET.COM 100 COURCHELLE DRIVE NICHOLASVILLE, KY 40396 800-687-4307 FAX: 659-687-9958	
GLASS SCHEDULE	
(A) 1" INSULATED GLASS	(D) SAFETY GLASS BY MFR.
(B) 1" INSULATED TEMPERED GLASS	
(C) 1/4" TEMPERED GLASS	
NOTE: SHADING COEFFICIENT SPECIFICATION PER LOCAL CODE REQUIREMENTS. DAYTIME VISIBILITY INTO DINING ROOM SHALL BE MAINTAINED.	
**** ALL STOREFRONT GLAZING SHALL BE LOW 'E' SOLAR GLASS ****	
	

NOT USED N.T.S. 10

NOTES N.T.S. 7



(DRIVE-THRU WINDOW B-140)
SEE ALSO DETAIL 16/A6.1
NOT LOW 'E' SOLAR GLASS

NOTE: ELEVATIONS DRAWN AS VIEWED FROM EXTERIOR OF BUILDING.

WINDOW TYPES 1/4" = 1'-0" 9

- 1. LAMINATE DOORS 4, 5, 6 & 7 AND PAINT FRAMES 3, 4, 5, 6 & 7. SEE FINISH SCHEDULE, SHEET A7.2.
- 2. ALL HARDWARE SHALL BE US320 U.O.N.
- 3. ALL HM FRAMES SHALL BE 16 GA STEEL U.O.N.
- 4. ALL LOCKS SHALL BE FALCON 6 PIN INTERCHANGEABLE CORE SUPPLIED AND INSTALLED BY THE G.C. ALL EXTERIOR LOCKS SHALL BE PROVIDED WITH CONSTRUCTION CORES. ALL PERMANENT CORES SHALL BE KEYED ALIKE.
- 5. PERMANENT CORES SHALL BE SHIPPED TO THE RESTAURANT GENERAL MANAGER.
- 6. MOUNT DOOR CLOSERS ON RESTROOM OR KITCHEN SIDE ONLY.
- 7. COMPLETE DOOR, FRAME AND HARDWARE PACKAGE INCLUDING VISION PANEL (WITH 18 GA STEEL SETBACK FRAME), CONTINUOUS HINGE, HEAVY DUTY CLOSER, RAIN DRIP, DOOR BOTTOM SWEEP, WEATHER STRIP, KICKPLATE AND PANIC HARDWARE, ORDERED THRU LOCKNET SECURITY DOORS, PART #DL270LS2VED WITH 2116 YALE ALARM KIT(1-800-887-4307).
- 8. PROVIDE PUSH/PULL PLATES
IF REQUIRED BY LOCAL CODE. STOREFRONT DOOR PANIC HARDWARE WITH DOOR-O-MATIC 2092 RIM PANIC HARDWARE AND EXTERIOR PULLS WITH QUANTUM #520 DOOR PULL.
- 9. MOUNT KICKPLATE ON PUSH SIDE ONLY.
- 10. MAXIMUM DOOR OPERATING PRESSURE: 5 LBS. SILENT HINGE FOR EXTERIOR.
- 11. ADA COMPLIANT ACCESSIBILITY SIGNAGE, INCLUDING RAILS AS REQUIRED BY LOCAL JURISDICTION - (1) MEN, (1) WOMEN.
- 12. RESTROOM SIGNAGE REQUIRED.
- 13. INSTALL WITH REMOVABLE DOOR STOPS AND WEATHER STRIPS.
- 14. FINISHES SHALL BE ANODIZED.
- 15. NOT USED.
- 16. PROVIDE CATCH AND STRIKE HARDWARE BY DOOR MFR. TO BE COMPATIBLE WITH LOCKS.
- 17. NOT USED.

NOT USED N.T.S. 4

DOOR SCHEDULE NOTES 1

DOOR NO.	DOOR SIZE	TYPE		DOOR	FRAME	BUTTS			CLOSERS			THRESHOLD			DOOR STOP			PULL			MISCELLANEOUS						DETAIL LOCATIONS			DOOR NOTES					
		1	2			3	1	2	3	1	2	3	1	2	3	1	2	3	1	2	3	4	5	6	HEAD	JAMB	SILL								
1	3'-7-0" x 1-3/4"	A	AL	AL	X									X						X											12/A6.1	8, 10, 16			
2	(2) 3'-0" x 7'-0" x 1-3/4"	B	AL	AL	X									X							X									12/A6.1	8, 10, 13, 16				
3	3'-8" x 7'-0" x 1-3/4"	C	HM	HM				X														X								9/A6.1	6/A6.1	10/A6.2	5, 7, 10		
4	3'-0" x 6'-8" x 1-3/4"	D	WD	HM	X											X	X			X			X												6, 9, 10, 11, 12, 14
5	3'-0" x 6'-8" x 1-3/4"	D	WD	HM	X									X	X					X			X	X										6, 9, 10, 11, 12, 14	
6	3'-0" x 6'-8" x 1-3/4"	F	WD	HM	X								X	X								X												9	
7	2'-0" x 6'-8" x 1-3/4"	F	WD	HM	X																	X												10/A6.4	10/A6.4

DOOR SCHEDULE 2



1232 washington ave.
suite 310
st. louis, mo 63103
p: 314.241.6262
f: 314.241.6263
www.m2astudio.com



Mark J. Gettemeyer, Architect

PERMIT/CONSTRUCTION SET
DATE: MAY 4, 2018

CONTRACT DATE: XX.XX.XX
BUILDING TYPE: EXPLORER LITE 40
PLAN VERSION: DECEMBER 2017
SITE NUMBER: XXX-XXX
STORE NUMBER: XXXXX

TACO BELL
101 MONTGOMERY CROSSING
BISCOE, NC 27209



DOOR & WINDOW ELEVATIONS AND SCHEDULES A1.1

PLT DATE:

Order Plans @

WWW.DLINE.CO