



1232 washington ave.
 suite 310
 st. louis, mo 63103
 p: 314.241.6262
 f: 314.241.6263
 www.m2astudio.com



PERMIT/CONSTRUCTION SET
 DATE: MAY 4, 2018

CONTRACT DATE: XX XX XX
 BUILDING TYPE: EXPLORER LITE 40
 PLAN VERSION: DECEMBER 2017
 SITE NUMBER: XXX XXX
 STORE NUMBER: XXXXX

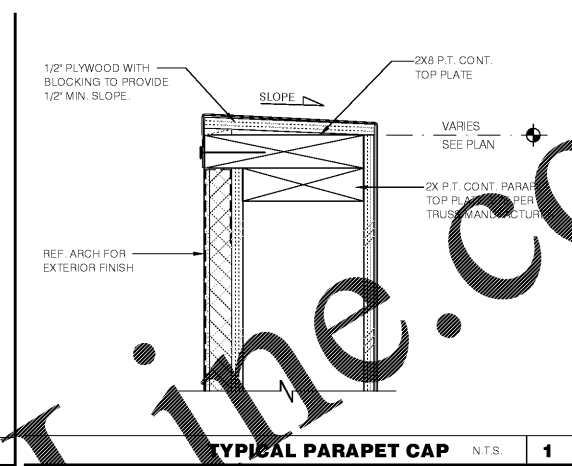
TACO BELL
 101 MONTGOMERY CROSSING
 BISCOE, NC 27209



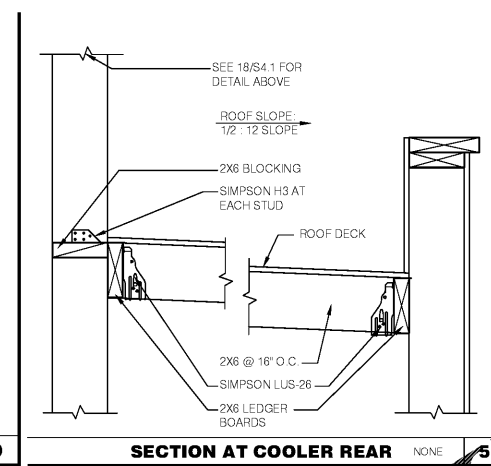
EXPLORER LITE
 MEDIUM 40
STRUCTURAL
DETAILS
TACO BELL
TOWER

S4.3

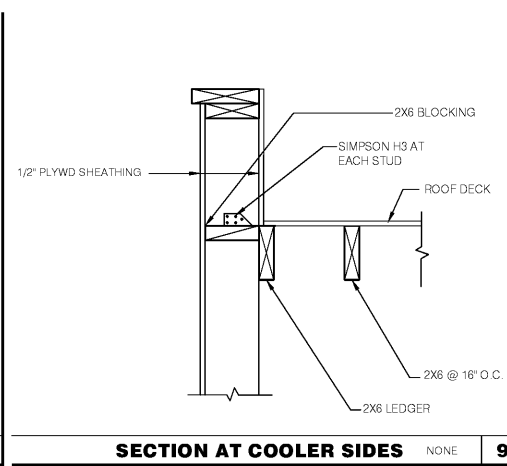
PLOT DATE:



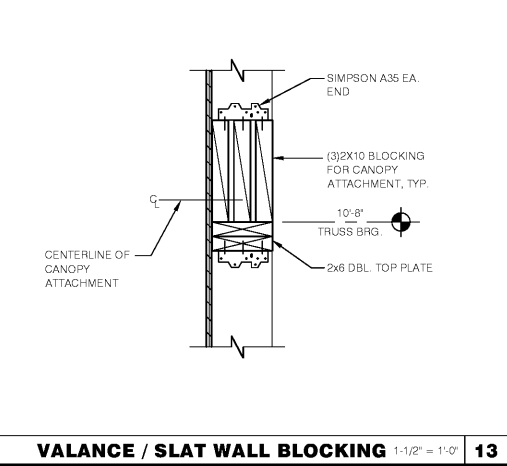
TYPICAL PARAPET CAP N.T.S. 1



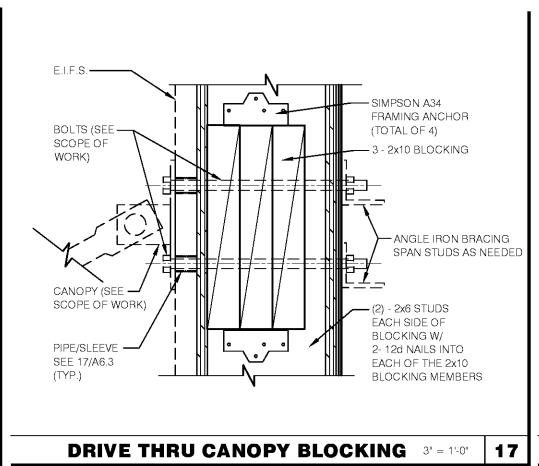
SECTION AT COOLER REAR NONE 5



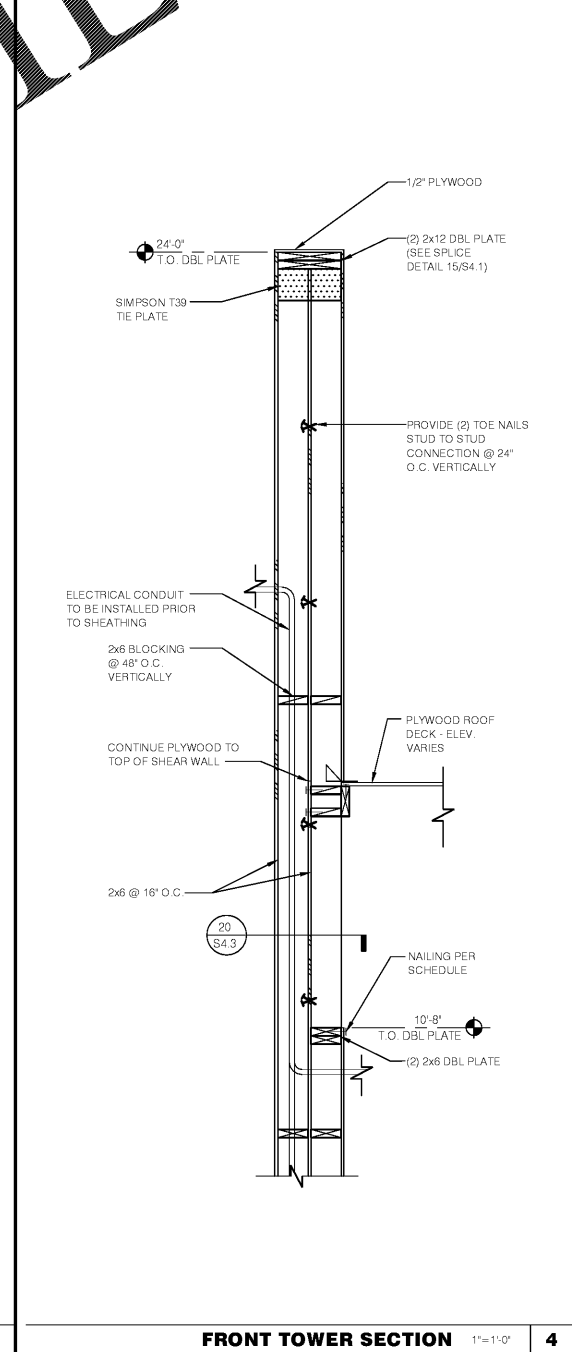
SECTION AT COOLER SIDES NONE 9



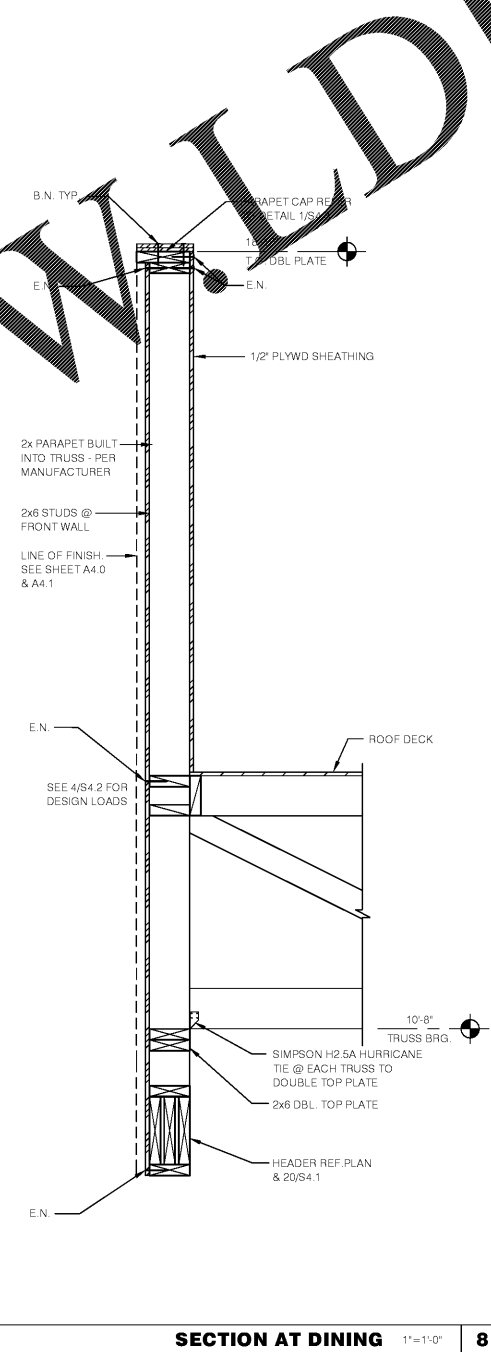
VALANCE / SLAT WALL BLOCKING 1-1/2" = 1'-0" 13



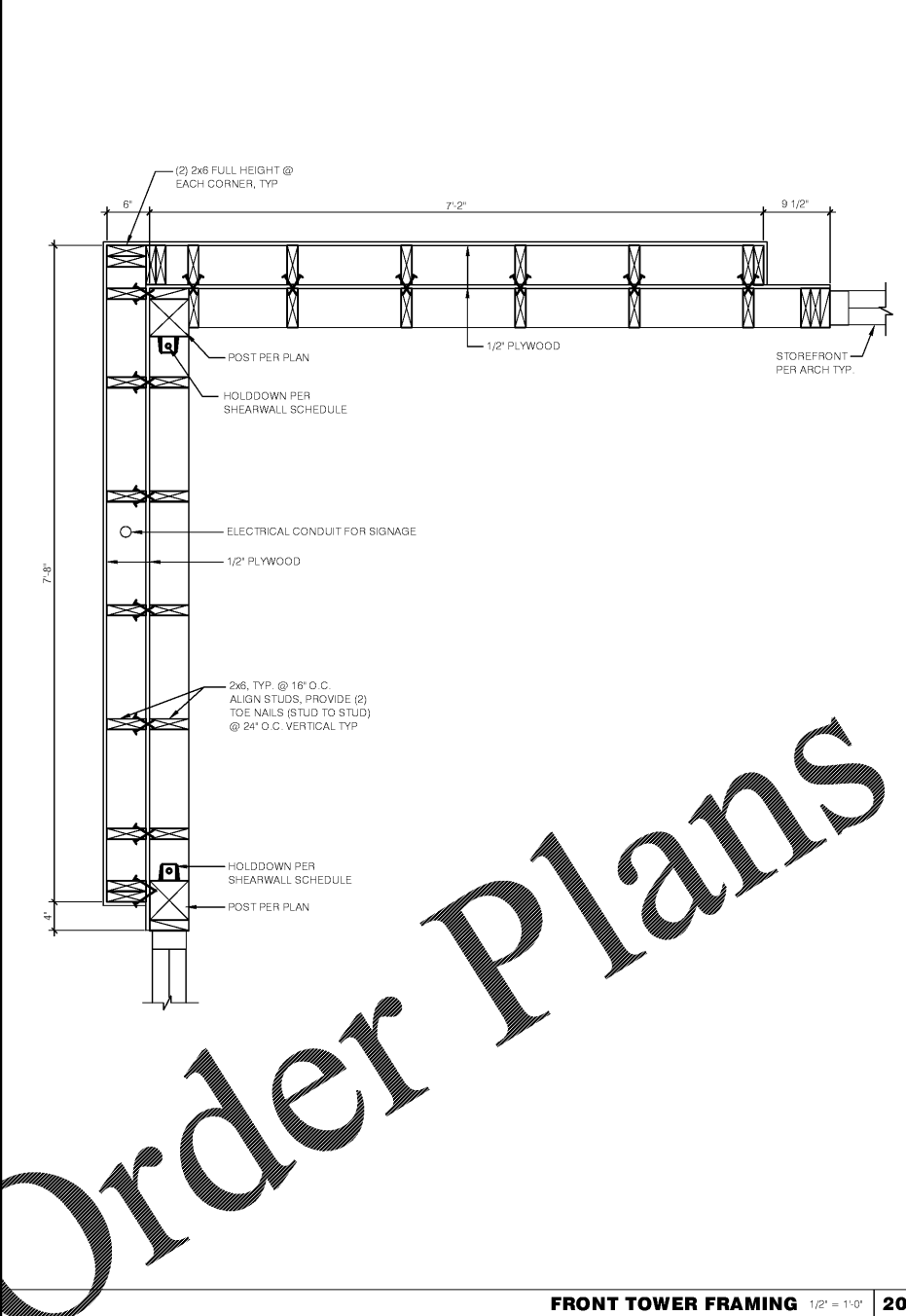
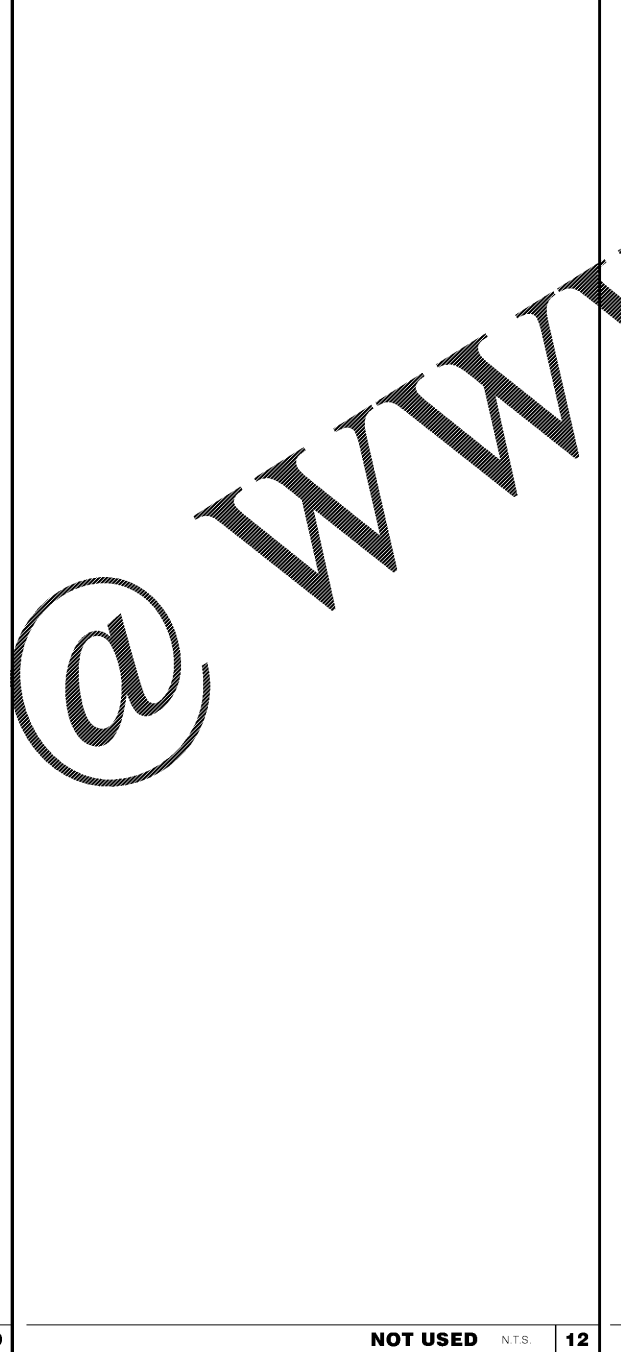
DRIVE THRU CANOPY BLOCKING 3" = 1'-0" 17



FRONT TOWER SECTION 1" = 1'-0" 4



SECTION AT DINING 1" = 1'-0" 8



FRONT TOWER FRAMING 1/2" = 1'-0" 20

Order Plans @ WWW.LDLINE.COM