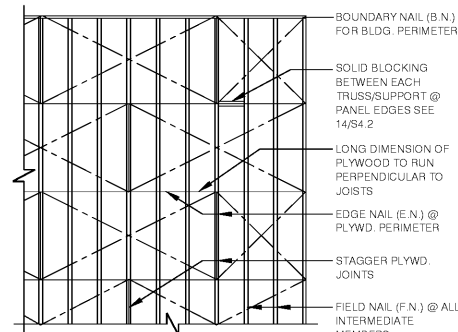


- CONNECTION TYPE:**
1. JOIST TO SILL OR GIRDER, TOENAIL (3-8d)
 2. BRIDGING TO JOIST, TOENAIL EACH END (2-8d)
 3. 1"x6" (25MMx152MM) SUBFLOOR OR LESS TO JOIST, FACE NAIL (2-8d)
 4. WIDER THAN 1" X 6" (25MMx152MM) SUBFLOOR TO JOIST, FACE NAIL (3-8d)
 5. 2" (52MM) SUBFLOOR TO GIRDER, BLIND AND FACE NAIL (2-16d)
 6. SOLE PLATE TO JOIST OR BLOCKING, TYPICAL FACE NAIL (16d @ 16" O.C.)
 7. SOLE PLATE TO JOIST OR BLOCKING, AT BRACED W. PANELS (3-16d PER 16")
 8. TOP PLATE TO STUD, END NAIL (2-16d)
 9. STUD TO SOLE PLATE (2-16d END NAIL)
 10. DOUBLE STUDS, FACE NAIL (16d @ 24" O.C.)
 11. DOUBLE TOP PLATES, TYPICAL FACE NAIL (16d @ 16" O.C.)
 12. DOUBLE TOP PLATES, LAP SPLICE (8-16d)
 13. BLOCKING BETWEEN JOISTS OR RAFTERS TO TOP PLATE, TOENAIL (3-8d)
 14. RIM JOIST TO TOP PLATE, TOENAIL (8d @ 6" O.C.)
 15. TOP PLATES, LAPS AND INTERSECTIONS, FACE NAIL (2-16d)
 16. CONTINUOUS HEADER, TWO PIECES (16d @ 16" O.C. ALONG EDGE)
 17. CEILING JOISTS TO PLATE, TOENAIL (3-8d)
 18. CONTINUOUS HEADER TO STUD, TOENAIL (4-8d)
 19. CEILING JOISTS, LAP OVER PARTITIONS, FACE NAIL (3-16d)
 20. CEILING JOISTS TO PARALLEL RAFTERS, FACE NAIL (3-16d)
 21. RAFTER TO PLATE, TOENAIL (3-8d)
 22. 1" (25MM) BRACE TO EACH STUD AND PLATE, FACE NAIL (2-8d)
 23. 1"x8" SHEATHING OR LESS TO EACH BEARING, FACE NAIL (2-8d)
 24. WIDER THAN 1"x8" SHEATHING TO EACH BEARING, FACE NAIL (3-8d)
 25. BUILT-UP CORNER STUDS (16d @ 24" O.C.)
 26. 2" PLANKS (2-16d AT EACH SPLICE)
 27. 2x6 BOX BEAM / HEADER (12d @ 12" O.C.)
 28. BUILT-UP GIRDER AND BEAMS (20d @ 32" O.C. AT TOP & BOTTOM AND STAGGERED 2-20d AT ENDS AND AT EACH SPLICE)

- NAILING:**
1. (1) 2x6 W/ 16d NAILS @ 8" O.C. STAGGERED
 2. (3) 2x6 COLUMN W/ 30d NAILS
 3. 30d COMMON NAILS
 4. (2) 2x6 COLUMN
 5. (3) 2x4 COLUMN



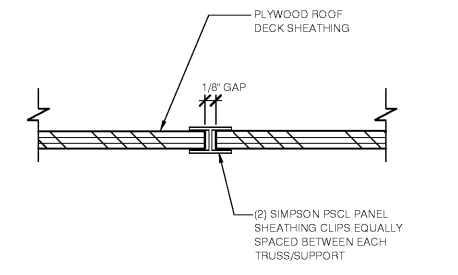
NOTES:
 1. MIN. PLYWD. SHT. SIZE SHALL BE 2'-0" X 4'-0".
 2. MIN. 3/8" NAILING EDGE DISTANCE.
 3. EDGE NAIL (E.N.) O/ BEAMS AND AROUND ALL OPENINGS.
 4. 19/32" ROOF SHEATHING W/ 10d BNDRY NAILING @ 6" O.C. W/ BLKG

ROOF NAILING PLAN N.T.S. 13

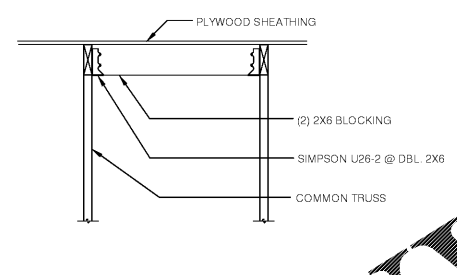
EQUIPMENT	DESIGN WEIGHT
HVAC UNIT - RTU-1	1700 lbs.
HVAC UNIT - RTU-2	2800 lbs.
HVAC UNIT - RTU-1 (ALT)	1750 lbs.
HVAC UNIT - RTU-2 (ALT)	1900 lbs.
EXHAUST FAN - EF-1	200 lbs.
EXHAUST FAN - EF-2	70 lbs.
HOOD #1 - TACO BELL	400 lbs.
ICE CONDENSERS	200 lbs.
FREEZER CONDENSER	300 lbs.
COOLER CONDENSER	300 lbs.
MUZAK DISH, SLID & BALLAST - ALLOW FOR LOCATION ANYWHERE ON ROOF.	1,087 lbs.

★ A. ALL DESIGN WEIGHTS INCLUDE CURB.
 B. COORDINATE WEIGHTS WITH HVAC UNIT SCHEDULE 1/M1.0.

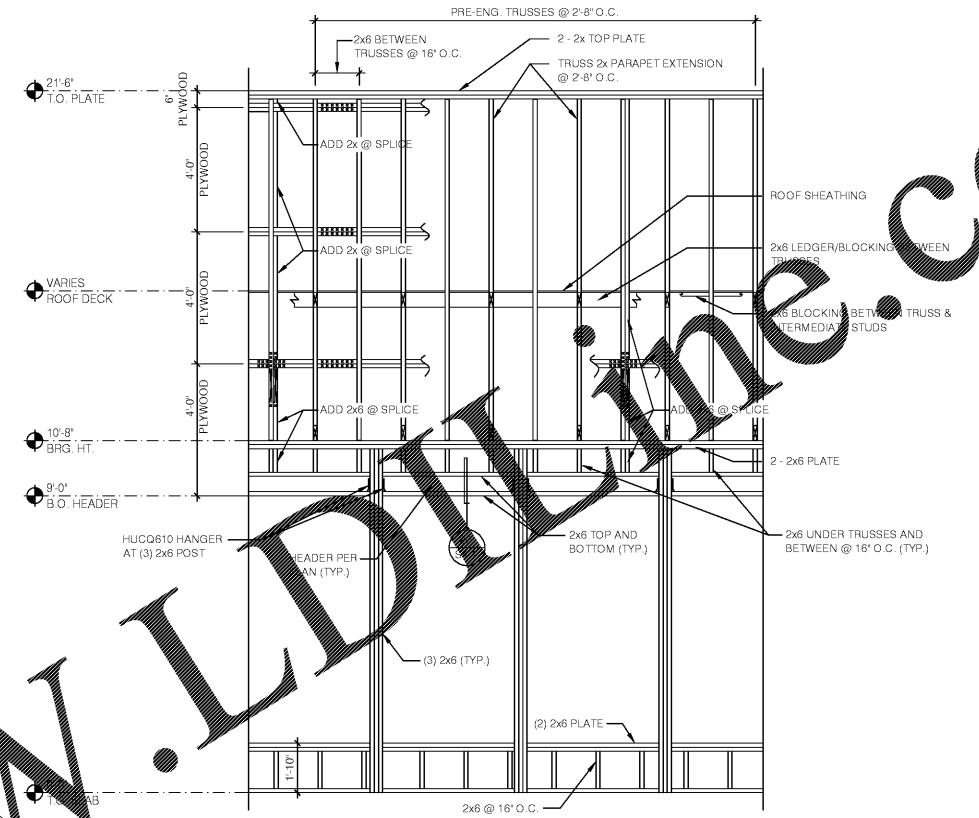
ROOF TOP EQUIPMENT WEIGHTS N.T.S. 9



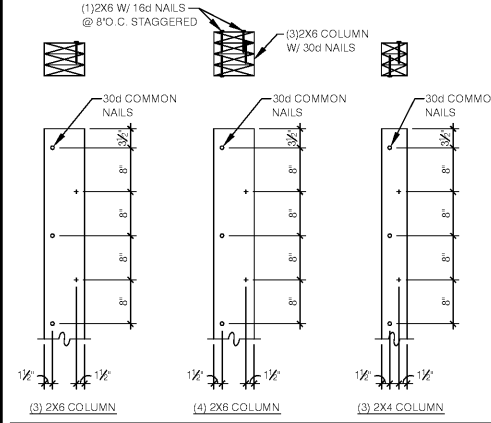
PLYWOOD EDGE BLOCKING N.T.S. 14



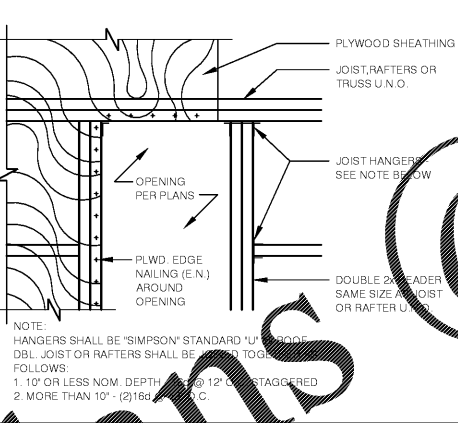
ROOF OPENING DETAIL 10



WALL FRAMING DETAIL 3/8" = 1'-0" 2



BUILT-UP 2X COLUMNS N.T.S. 19



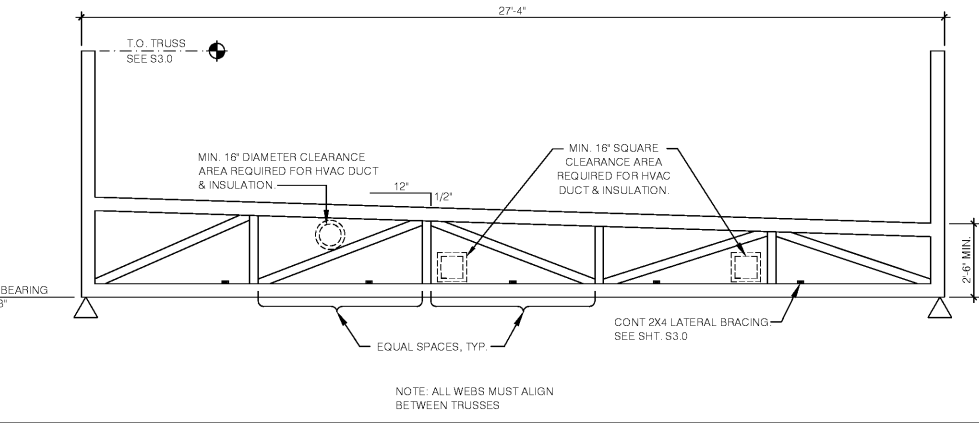
TYPICAL ROOF OPENING 1/2" = 1'-0" 15

TRUSS TYPES	SINGLE TRUSS CONNECTION	DOUBLE TRUSS CONNECTION	BEARING POINT	COMMENTS
T1 - T27		XX		SEE NOTE 1.

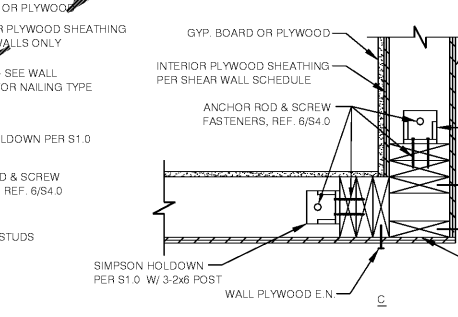
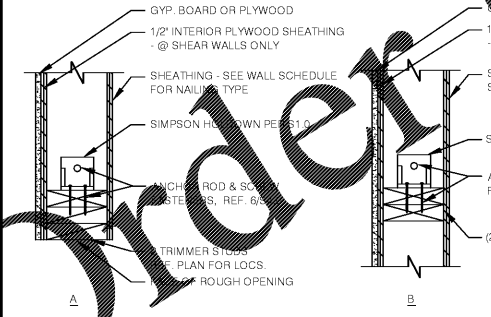
NOTES:
 1. HOLD-DOWN CONNECTORS SHALL BE SPECIFIED BY SITE SPECIFIC ARCHITECT/ ENGINEER BASED UPON LOADING DATA PROVIDED BY TRUSS DESIGNER.
 PROVIDE SHOP DRAWINGS PRIOR TO FABRICATION.

TRUSS MEMBER SIZES ARE FOR REFERENCE ONLY. ACTUAL SIZE SHALL BE DETERMINED BY TRUSS MANUFACTURER BASED ON ACTUAL LOAD CONDITIONS AND COES.

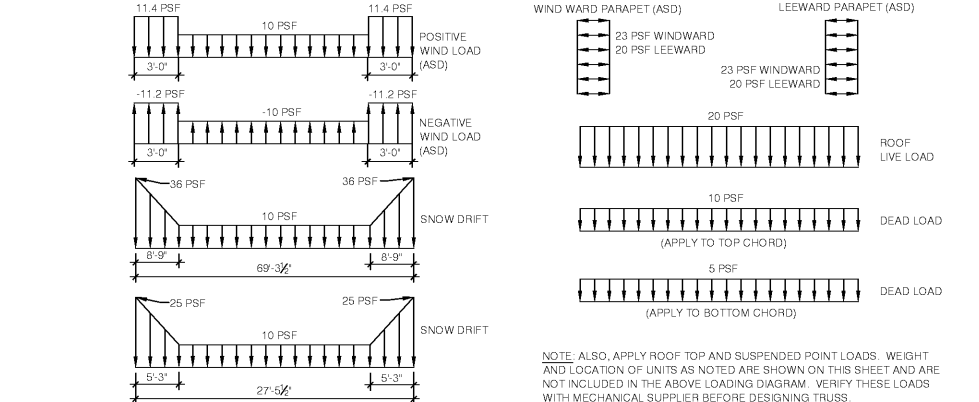
TRUSS SCHEDULE N.T.S. 11



TRUSS ELEVATION 1/4" = 1'-0" 3



HOLD-DOWN DETAILS 1 1/2" = 1'-0" 8



TRUSS DESIGN CRITERIA N.T.S. 4



1232 washington ave.
 suite 310
 st. louis, mo 63103
 p: 314.241.6262
 f: 314.241.6263
 www.m2astudio.com



PERMIT/CONSTRUCTION SET
 DATE: MAY 4, 2018

CONTRACT DATE: XX.XX.XX
 BUILDING TYPE: EXPLORER LITE 40
 PLAN VERSION: DECEMBER 2017
 SITE NUMBER: XXX-XXX
 STORE NUMBER: XXXXX



EXPLORER LITE MEDIUM 40

STRUCTURAL DETAILS ROOF

S4.2

PLOT DATE: