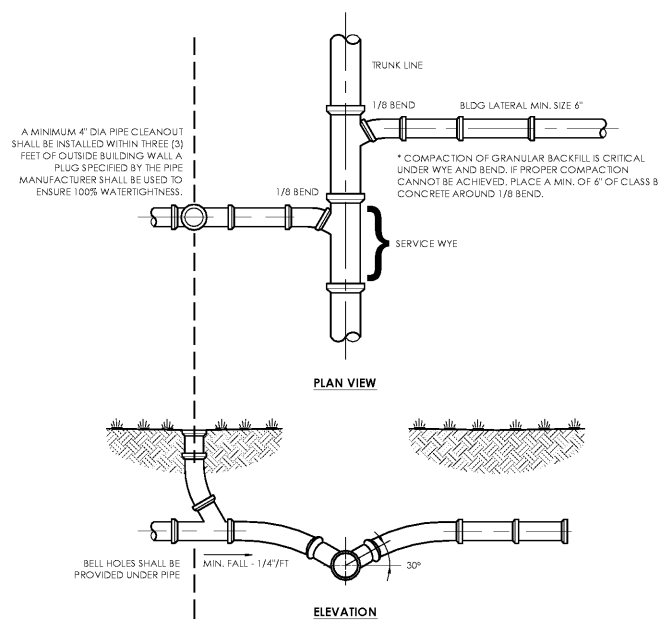
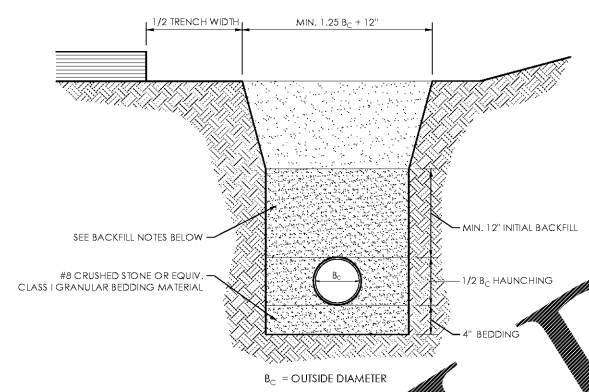


EX:2016-235 - bell american group - biscoe, nc.dwg

Order Plans @ WWW.LDILine.com



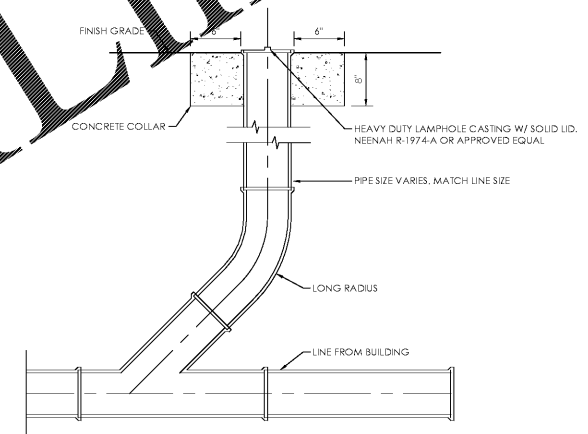
**SERVICE CONNECTION FOR SHALLOW SEWERS
(LESS THAN 15 FEET)**
NOT TO SCALE



FLEXIBLE PIPE BEDDING DETAIL
NOT TO SCALE

BACKFILL NOTES:

- WHERE PIPE IS DIRECTLY BENEATH OR WITHIN FEET OF PAVEMENT AREAS, INITIAL BACKFILL SHOULD CONSIST OF COMPACTED CLASS 1 AGGREGATE PLACED 12" ABOVE THE TOP OF PIPE TO THE PAVEMENT SURFACE.
- OUTSIDE PAVEMENT AREAS, FINE MATERIAL SHALL BE USED AND COMPACTED TO PREVENT SETTLEMENT. INITIAL MATERIAL TO BE CLEAN FILL MATERIAL AND FINE ROCKS 6" IN DIAMETER OR SMALLER.
- ALL PIPE SYSTEMS SHALL BE INSTALLED IN ACCORDANCE WITH ASTM D2311 - STANDARD PRACTICE FOR UNDERGROUND INSTALLATION OF THERMOPLASTIC POLYPROPYLENE (PP) FOR SEWERS AND OTHER LOW FLOW APPLICATIONS - 11TH EDITION.
- ALL BEDDING & INITIAL BACKFILL SHALL BE PLACED IN 6" TO 12" BALANCED LIFTS. BEDDING MATERIAL SHALL BE PLACED AROUND THE HAUNCH & SIDES OF THE PIPE & ENSURE PROPER CONTACT & COMPLETE FILLING OF ALL VOIDS.



HEAVY DUTY CLEANOUT DETAIL
NOT TO SCALE

REVISION BLOCK



Michael Thompson

DATE
06/01/2018

DRAWN BY
MSO

CHECKED BY
MAT

**HAMILTON
DESIGNS**
A LIMITED LIABILITY COMPANY

11988 Fishers Crossing Drive, Suite 154
Fishers, Indiana 46038
P. (317) 578-8800
www.hamilton-designs.com

CONSTRUCTION PLANS FOR:

TACO BELL | BISCOE, NC
101 Montgomery Crossing (Highway 24)
Biscoe, North Carolina, 27209

BELL AMERICAN GROUP, LLC
8930 Bash Street, Suite L
Indianapolis, Indiana 46256

PROJECT NO.
2016-235

DATE
06/01/2018

SCALE

SHEET NAME
**UTILITY
DETAILS**

SHEET NO.
CU-501