

CallisortKL, Inc.
1420 7th Ave, Suite 2420
Seattle, WA 98101
Tel: 206.623.4646

CallisortKL Project No: 003-180034-00

Consultant

HENDERSON
ENGINEERS

Henderson Engineers, Inc.
8th Fl., 333 1st St.
Seattle, WA 98101
Tel: 206.461.2000

29 West 27th Street, 5th Floor
New York, NY 10001
Tel: 212.254.1000

BOWLERO - AUGUSTA

ISSUE FOR PERMIT / BID

Client/Owner/Project Address

Bowlero | AMP
Client Address
222 Waller Street
New York, NY 10003

Project Address

5017 Washington Rd
Augusta, GA 30607

Issue Drawing Log

2018-05-29 ISSUE FOR PERMIT

2018-05-29 ISSUE FOR BID

2018-05-29 ISSUE FOR BID

2018-05-29 ISSUE FOR BID

2018-05-29 ISSUE FOR BID

2018-05-29 ISSUE FOR BID

2018-05-29 ISSUE FOR BID

2018-05-29 ISSUE FOR BID

2018-05-29 ISSUE FOR BID

2018-05-29 ISSUE FOR BID

2018-05-29 ISSUE FOR BID

2018-05-29 ISSUE FOR BID

2018-05-29 ISSUE FOR BID

2018-05-29 ISSUE FOR BID

2018-05-29 ISSUE FOR BID

2018-05-29 ISSUE FOR BID

2018-05-29 ISSUE FOR BID

2018-05-29 ISSUE FOR BID

2018-05-29 ISSUE FOR BID

2018-05-29 ISSUE FOR BID

2018-05-29 ISSUE FOR BID

2018-05-29 ISSUE FOR BID

2018-05-29 ISSUE FOR BID

2018-05-29 ISSUE FOR BID

2018-05-29 ISSUE FOR BID

2018-05-29 ISSUE FOR BID

2018-05-29 ISSUE FOR BID

2018-05-29 ISSUE FOR BID

2018-05-29 ISSUE FOR BID

2018-05-29 ISSUE FOR BID

2018-05-29 ISSUE FOR BID

2018-05-29 ISSUE FOR BID

2018-05-29 ISSUE FOR BID

2018-05-29 ISSUE FOR BID

2018-05-29 ISSUE FOR BID

2018-05-29 ISSUE FOR BID

2018-05-29 ISSUE FOR BID

2018-05-29 ISSUE FOR BID

2018-05-29 ISSUE FOR BID

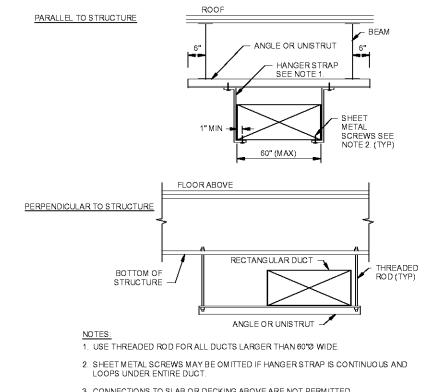
2018-05-29 ISSUE FOR BID

2018-05-29 ISSUE FOR BID

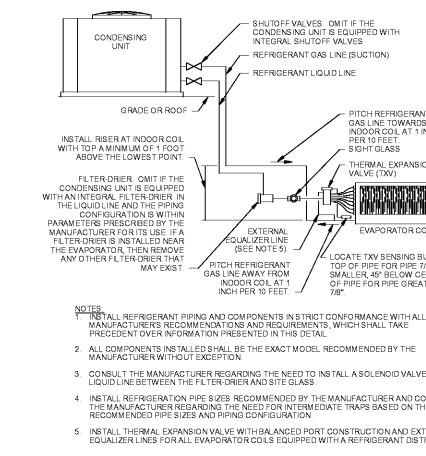
2018-05-29 ISSUE FOR BID

2018-05-29 ISSUE FOR BID

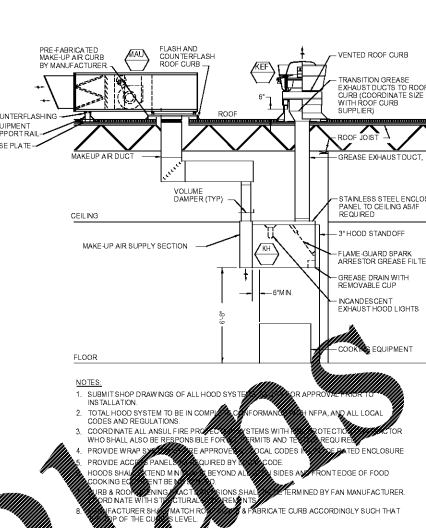
2018-05-29 ISSUE FOR BID



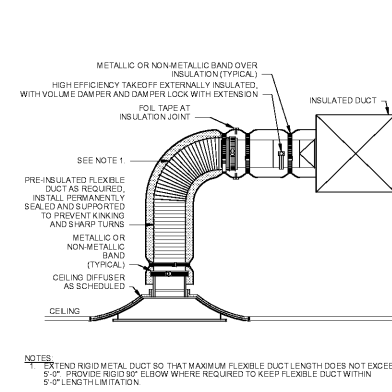
1 RECTANGULAR DUCT SUPPORT DETAIL
NTS



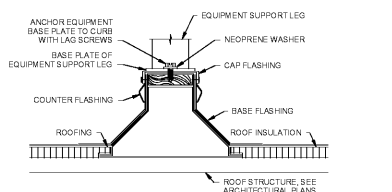
2 REFRIGERANT PIPING DETAIL (SINGLE CIRCUIT WITH COIL ABOVE OR BELOW CU)
NTS



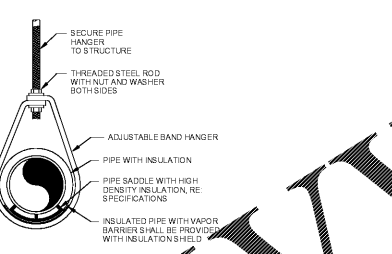
3 KITCHEN HOOD DETAIL
NTS



4 LAY-IN CEILING DIFFUSER DETAIL
NTS



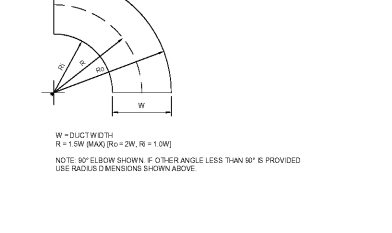
5 DOWNBLAST EXHAUST FAN DETAIL
NTS



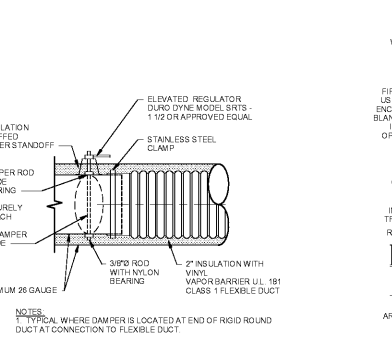
6 ROOF EQUIPMENT SUPPORT RAIL DETAIL
12" = 1'-0"



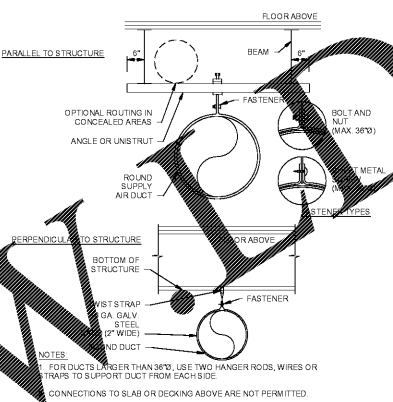
7 ADJUSTABLE BAND PIPE HANGER
NTS



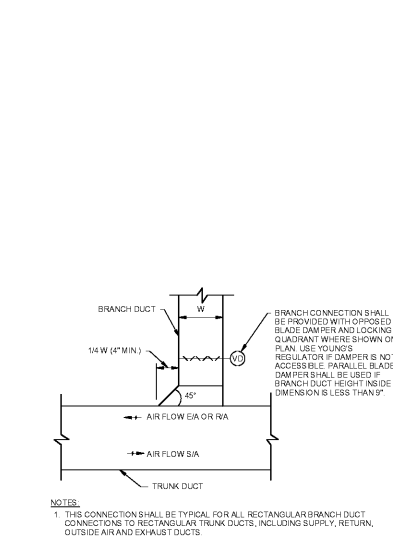
8 TYPICAL GREASE EXHAUST ELBOW
NTS



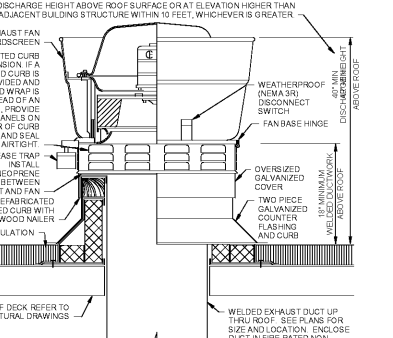
9 DAMPNER AT FLEX DUCT CONNECTION DETAIL
NTS



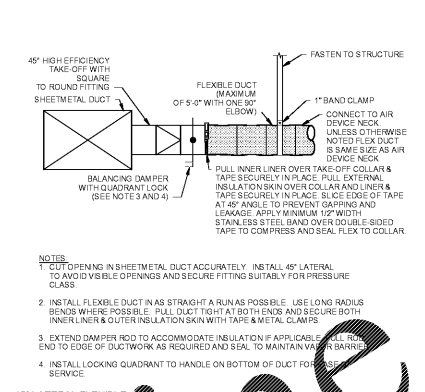
10 ROUND DUCT SUPPORT DETAIL
NTS



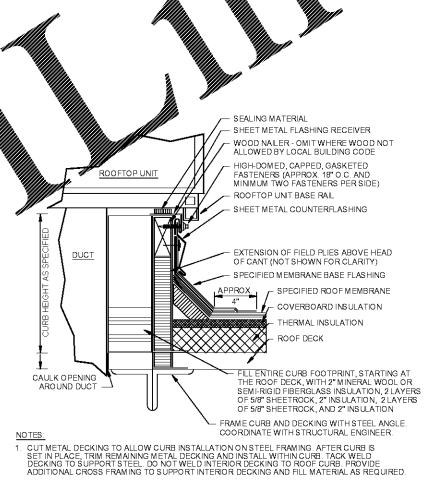
11 RECTANGULAR BRANCH TAP DETAIL
NTS



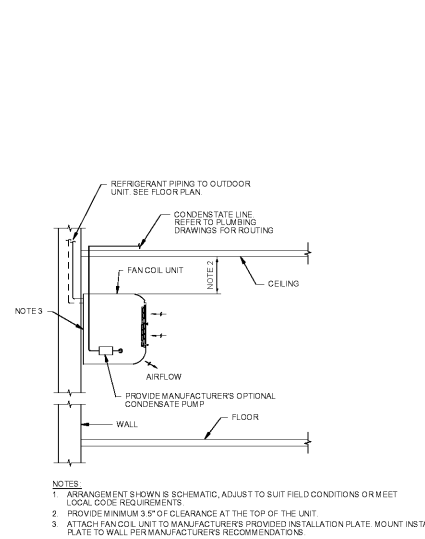
12 UPBLAST GREASE EXHAUST FAN DETAIL
NTS



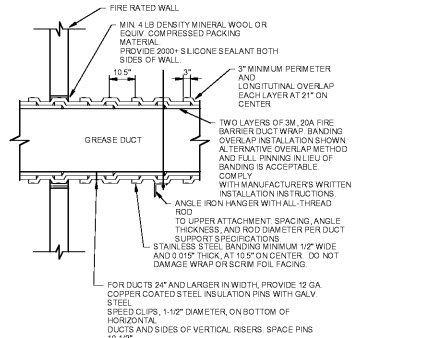
13 45° LATERAL FLEXIBLE DUCT TAKE OFF DETAIL
NTS



14 ROOF CURB DETAIL
NTS



15 VRF - FAN COIL UNIT - WALL MOUNTED
NTS



16 GREASE DUCT FIRE WRAP INSULATION INSTALLATION DETAIL
NTS

NOTE:
EXISTING CONDITIONS WERE TAKEN FROM ORIGINAL DRAWINGS & SITE VISITS AND MAY NOT REFLECT EXACT "AS-BUILT" CONDITIONS. FIELD VERIFY ALL EXISTING CONDITIONS PRIOR TO SUBMITTING FINAL BIDS. CAREFULLY COORDINATE NEW WORK AND DEMOLITION WITH ALL OTHER DISCIPLINES AND EXISTING CONDITIONS.

MECHANICAL DETAILS

M-200

Order Plans

ARCHIVE'S IMAGE