

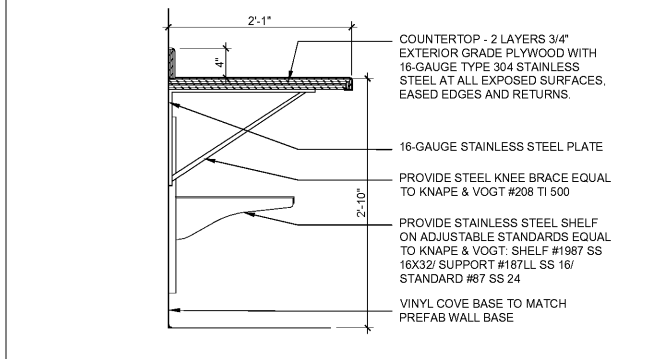
NOT FOR CONSTRUCTION   
 RELEASED FOR CONSTRUCTION   
 DATE: AUGUST 23, 2017  
 DRAWN BY: SAM  
 REVIEWED BY: NH

**REUSE OF DOCUMENTS**  
 THIS DOCUMENT, THE IDEAS AND DESIGNS INCORPORATED HEREIN, IS AN INSTRUMENT OF STUDIO 2H DESIGN, LLC AND MUST NOT BE USED IN WHOLE OR IN PART, FOR ANY OTHER PROJECT WITHOUT THE WRITTEN AUTHORIZATION OF STUDIO 2H DESIGN, LLC  
 NOLANDA HATCHER & CREIG HOSKINS

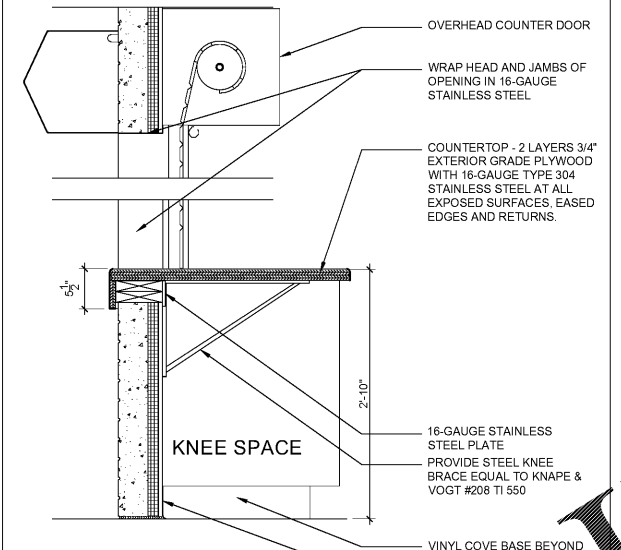
**REVISIONS**

Revision	Date	Description

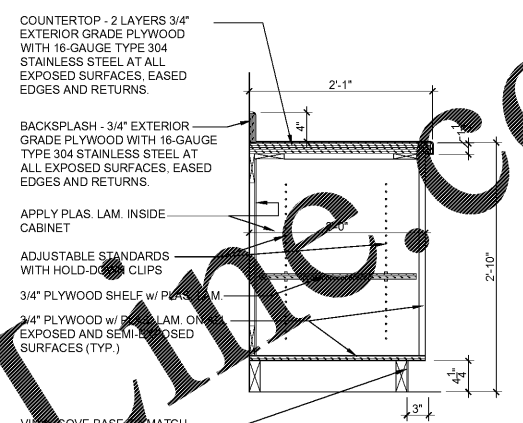
SHEET TITLE  
 SITE 'A' & SITE 'C'  
 FINISH PLAN/ SCHED,  
 INT ELEV'S & DETAILS  
 DRAWING NUMBER  
**D1.0**  
 PROJECT NUMBER  
 201626



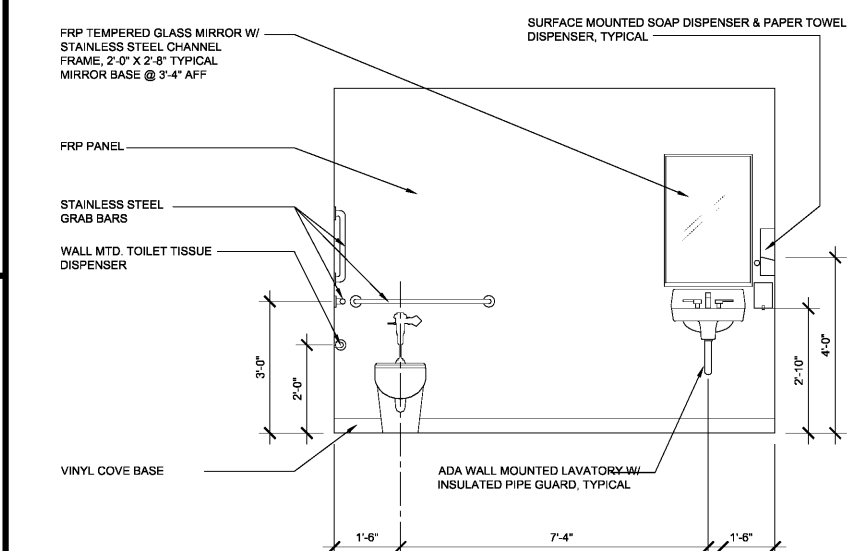
E3 DETAIL SCALE: 1" = 1'-0"



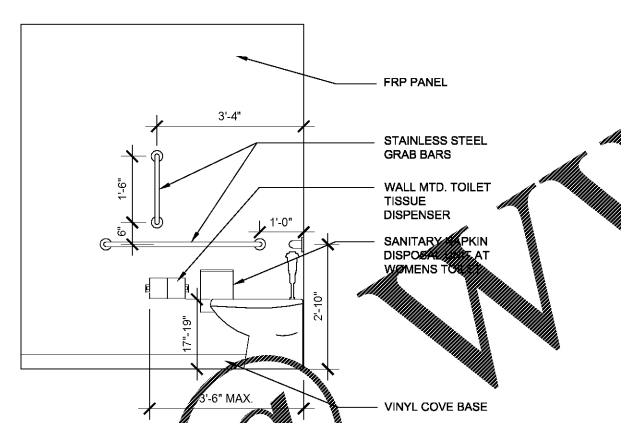
E5 DETAIL SCALE: 1" = 1'-0"



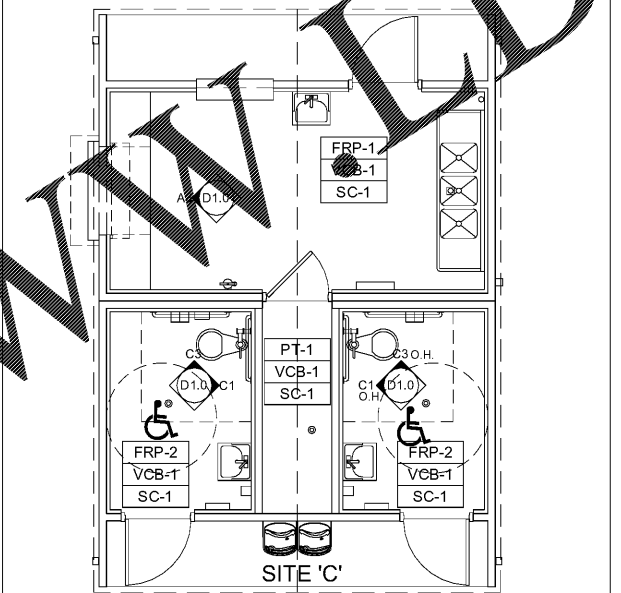
E7 DETAIL SCALE: 1" = 1'-0"



C1 WOMENS/MENS TOILET SCALE: 1/2" = 1'-0"

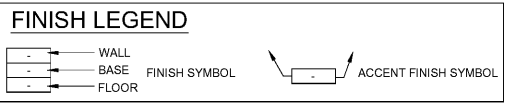


C3 WOMENS/MENS TOILET 1/2" = 1'-0"



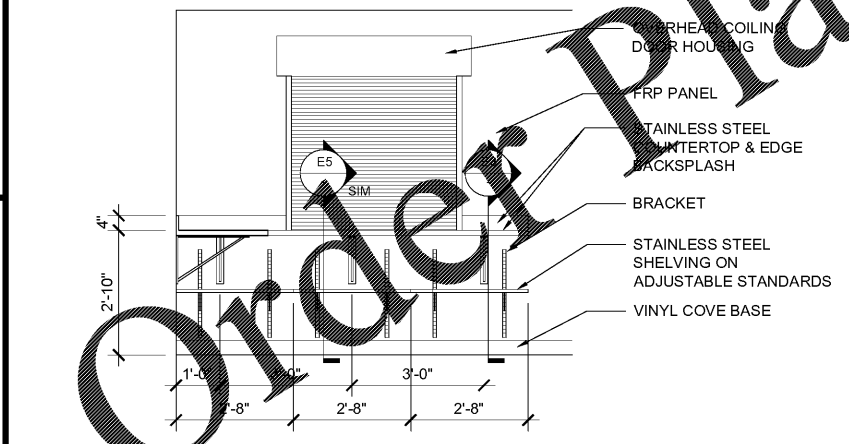
C5 FINISH PLAN SCALE: 1/4" = 1'-0"

**FINISH NOTES**  
 1. ALL EXPOSED CONDUIT TO BE PAINTED, COLOR TO BE SELECTED  
 2. ALL TOILET ACCESSORIES TO BE PROVIDED BY PREFAB BUILDING MANUFACTURER.

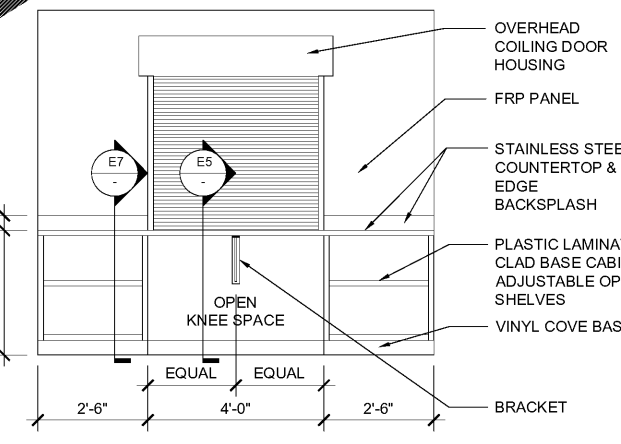


**FINISH SCHEDULE**

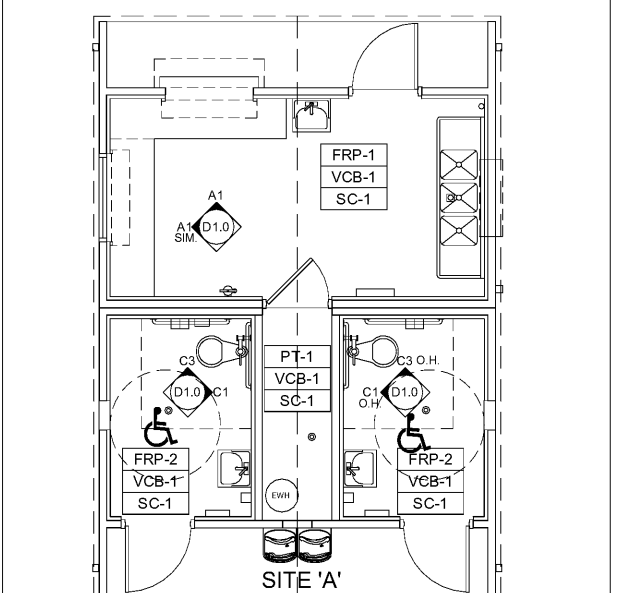
KEY	MATERIAL	MANUFACTURER	DESCRIPTION
WALL			
PT-1	PAINT	SHERWIN WILLIAMS	COLOR TO BE DETERMINED (TBD)
PT-2	PAINT	SHERWIN WILLIAMS	SW 7007, CEILING BRIGHT WHITE, 257-C2
PT-3	PAINT	SHERWIN WILLIAMS	SEMI-GLOSS ON ALL H.M. DOORS AND FRAMES, COLOR TBD
FRP-1	FRP WALL PANEL	TBD	COLOR TO BE DETERMINED
FRP-2	FRP WALL PANEL	TBD	COLOR TO BE DETERMINED
BASE			
VCB-1	VINYL COVE BASE	TBD	COLOR TO BE SELECTED
FLOOR			
SC-1	SEALED CONCRETE		
CASEWORK			
PL-1	PLASTIC LAMINATE	WILSONART	#1863K-55, BAINBROOK GREY, GLAZE FINISH WITH AEON



A1 SITE 'A' CONCESSIONS SCALE: 1/2" = 1'-0"



A3 SITE 'C' CONCESSIONS 1/2" = 1'-0"



A5 FINISH PLAN SCALE: 1/4" = 1'-0"