

4" AND 2" LETTERS CUT IN
BREAK METAL OVER
TRANSPARENT FILM;
ALL BACKLIGHT;
COORDINATE FINAL NAME AND
ADDRESS W/ MACON-BIBB COUNTY
PARKS DEPT

HELVETICA MEDIUM
UPPER AND LOWER
CASE

BREAK METAL ON
VAPOR / MOISTURE
BARRIER ON SUBSTRATE
ON STEEL ANGLE
FRAMING

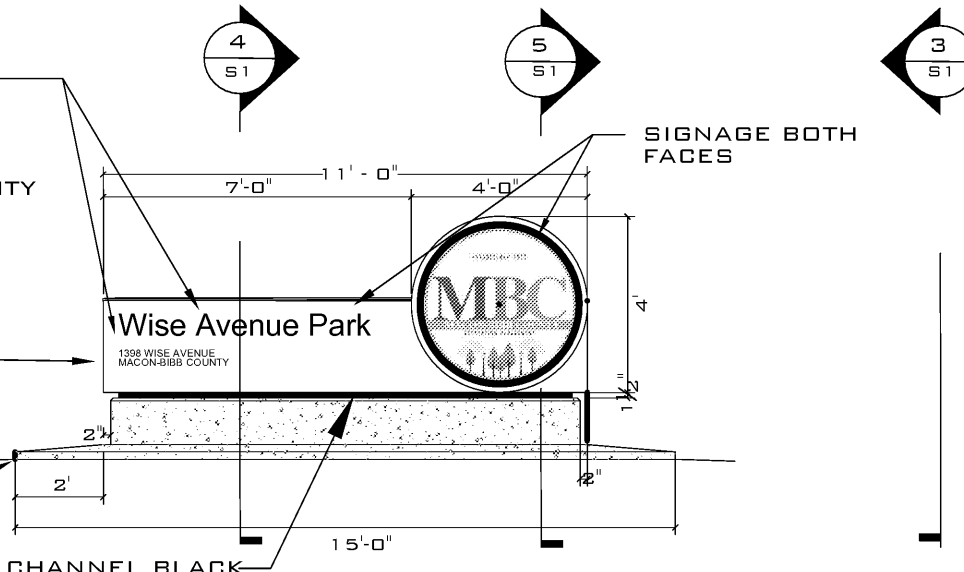
CONCRETE BASE

PAINT STEEL CHANNEL BLACK

Wise Avenue Park

1398 WISE AVENUE
MACON-BIBB COUNTY

SIGNAGE BOTH
FACES



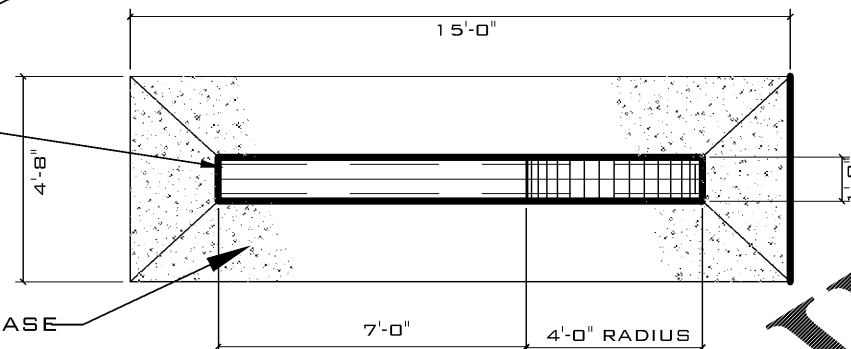
1 SIGN ELEVATION

ELEVATION: 1/2" = 1'-0"

CONCRETE BASE

DASHED LINES
CONCRETE BASE

CONCRETE BASE



2 SIGN PLAN

PLAN: 1/2" = 1'-0"

SIGN FABRICATION NOTES:

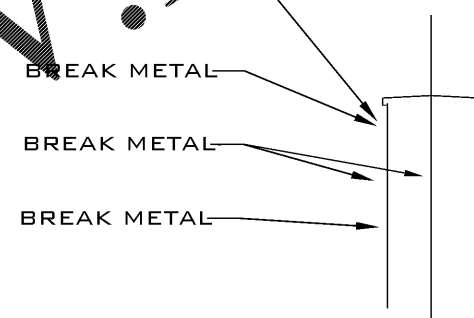
1. SIGN DRAWINGS FOR DESIGN INTENT, AND DO NOT REPRESENT FINAL CONSTRUCTION DRAWINGS. SIGN FABRICATOR SHALL COORDINATE INTENT W/ MACON-BIBB COUNTY PARKS DEPARTMENT REGARDING FINAL SELECTIONS OF EXTERIOR SIGN COLOR, LIGHTING, ETC.
2. PRIOR TO ANY FABRICATION, CONTRACTOR SHALL PROVIDE SHOP DRAWINGS FOR REVIEW BY BOTH MACON-BIBB COUNTY PARKS DEPARTMENT, AS WELL AS ARCHITECT FOR REVIEW AND APPROVAL. SHOP DRAWINGS SHALL INCLUDE THE DESIGN INTENT AS SHOWN ON THESE DRAWINGS, AND SHALL INCLUDE ANY COMMENTS FROM MACON-BIBB COUNTY.
3. CONTRACTOR SHALL COORDINATE FINAL NAMES AND ADDRESSES WITH MACON-BIBB COUNTY, AND INCLUDE THIS INFORMATION IN SIGN SHOP DRAWING PREPARATION.
4. AS PART OF REVIEW AND APPROVAL, CONTRACTOR SHALL PROVIDE COLOR SAMPLES OF EXTERIOR SIGNAGE MATERIALS, TRANSPARENT FILM MATERIAL, WITH A MOCK UP OF SIGN INCLUDING LETTERS, ETC.
5. REFER TO SITE CIVIL DRAWINGS FOR SIGN LOCATION.

HEMMED ENDS
AS SHOWN

BREAK METAL

BREAK METAL

BREAK METAL



6 BREAK METAL PROFILES

SECTION: 1" = 1'-0"

BREAK METAL ON MOISTURE
BARRIER ON
APPROVED
SUBSTRATE ON
STEEL ANGLES

RADIUS PORTION
OF SIGNAGE

CHANNEL
END
CAPPED
AND
PAINTED
BLACK

RADIUS PORTION
OF SIGNAGE
BEYOND

LIGHT SOURCE

3/4" CHAMFER
3,000 PSI
CONCRETE
TROWELLED
SMOOTH

ANGLE BOX FRAME
TO EXTEND END TO END
OF SIGN (11'-0")

BREAK METAL ON MOISTURE
VAPOR BARRIER ON REQD
SUBSTRATE ON 1 1/2" X 1 1/2" X 1/4"
STEEL ANGLE AT 2" O.C.

RIP 2X'S TO DRAIN

MITER & WELD CORNERS
AT ANGLEFRAME. WELD TO
CHANNEL

ANCHOR BOLTS @ 2'-0" O.C.
AT C6 X 8.2 CHANNEL.
CAP ENDS

#4 DOWELS AT
12" O.C.

#4 DOWELS AT
12" O.C. EA WAY
COMPACTED
SUBGRADE TO 95%

LIGHT SOURCE

1 1/2" X 1 1/2" X 1/4" ANGLES
AT RADIUS ARE TO BE
BENT TO 2'-0" RADIUS

BREAK METAL ON MOISTURE
VAPOR BARRIER ON REQD
SUBSTRATE ON 1 1/2" X 1 1/2" X 1/4"
STEEL ANGLE AT 2" O.C.

MITER & WELD CORNERS AT
ANGLE FRAME. WELD TO
CHANNEL

ANCHOR BOLTS AT
2'-0" O.C. X C6 X 8.2 STEEL
CHANNEL CAP ENDS

#4 DOWELS AT 12" O.C.

CONCRETE
BASE

3 SIGN PLAN

END ELEVATION: 1/2" = 1'-0"

4 SIGN PLAN

SECTION: 1/2" = 1'-0"

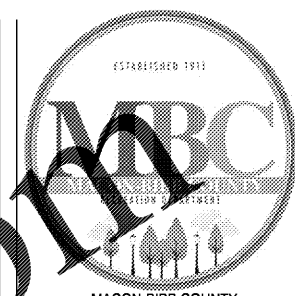
5 SIGN PLAN

SECTION: 1/2" = 1'-0"

24 HR CONTACT
ROBERT WALKER
(478) 808-0192



Know what's below.
Call before you dig.



MACON-BIBB COUNTY
RECREATION DEPARTMENT
115 Willie Smokie Glover Drive
Macon, Georgia 31201
Contact: Mr. Reggie Moore, Director

WISE AVE.
PARK



300 Chastain Center Blvd, Ste 325
Kennesaw, Georgia 30144
TEL: (770) 627-3590 FAX: (770) 627-3594

V&M Contact:
Paul 'Ken' Hammon, PE (770) 638-7797
KENTUCKY 606-248-6600 NORTH CAROLINA 828-253-2796
TENNESSEE 865-546-5800 SOUTH CAROLINA 864-574-4775
www.vaughnmelton.com
Copyright © 2015
All Rights Reserved

Schroeder Architects

ARCHITECTURE-MASTER PLANNING-INTERIORS

3118 East Shadowlawn Ave, NE
Atlanta, Georgia 30305
TEL: (404) 773-2626

email: david@schroeder-architects.com



Project Name: WISE AVENUE PARK
Project Number:
Drawn By: CK'd By:
Date: Scale: As shown

Rev.	Description:	Date:

SITE
SIGNAGE