

300 Chestnut Center Blvd, Ste 325
Kennesaw, Georgia 30144
TEL: (770) 627-3590 FAX: (770) 627-3594

V&M Contact:
Paul Yan Hammon, PE (770) 639-7757

KENTUCKY NORTH CAROLINA
606-249-6600 828-253-2796

TENNESSEE SOUTH CAROLINA
866-548-6300 864-574-4775

www.vaughnsmelton.com
Copyright © 2015
All Rights Reserved

Schroeder Architects
ARCHITECTURE ■ INTERIORS ■ URBAN DESIGN

3118 E Shadowlawn Avenue, NE
Atlanta, Georgia 30305
Tel. 404-733-2828
david@schroeder-architects.com
SA © 2015

WESTBROCK ENGINEERING
11300 JOHNS CREEK PARKWAY
SUITE 200
JOHNS CREEK GA 30097
770 753 9059
info@westbrockengineering.us

AH&P CONSULTING ENGINEERS
ANDREWS, HAMMOCK & POWELL, INC.
250 Chatter Lane
Suite 102
Macon, Georgia 31210
MACON (478) 452-8011 FAX (478) 452-8210
www.ahandp.com

Copyright © 2015 by Schroeder Architects
All rights reserved. These documents as instruments of service remain the property of the architect and no part may be used or reproduced without written permission of the copyright owner.

Stamp: [Professional Engineer Seal]

Project Name: WISE AVENUE PARK
WISE AVENUE
MACON, GEORGIA 31201
Project Number: 180402
Drawn By: CF CkD By: CD
Date: 02/07/2018 Scale: AS SHOWN

Rev: Description: Date:
Issued For Permit: 04/01/2018

Sheet Title: INTERIOR ELEVATIONS, WALL TYPES, DOOR SCHEDULE, ROOM FINISH SCHEDULE, AND DETAILS

Sheet Number: A-3.1

INTERIOR FINISH SCHEDULE										
RM. NO.	RM. NAME	FLOOR	BASE	DETAILS				CEILING	CEILING HEIGHTS	REMARKS
				FRONT	R SIDE	REAR	L SIDE			
FIRST FLOOR										
101	WOMEN'S	EPOXY	VNVL	PT. CMU	PT. CMU	PT. CMU	PT. CMU	E.G.P	9'-6"	EPOXY FLOORING W/ 4" INTEGRAL COVE BASE (WATER RESISTANT WALLS AND CEILINGS)
102	MECHANICAL ROOM	EPOXY	VNVL	PT. CMU	PT. CMU	PT. CMU	PT. CMU	E.G.P	9'-6"	EPOXY FLOORING W/ 4" INTEGRAL COVE BASE
103	MEN'S	EPOXY	VNVL	PT. CMU	PT. CMU	PT. CMU	PT. CMU	E.G.P	9'-6"	EPOXY FLOORING W/ 4" INTEGRAL COVE BASE (WATER RESISTANT WALLS AND CEILINGS)

FINISH LEGEND:
EPOXY: FLUID APPLIED FLOORING, EPOXY W/ AGGREGATE
VNVL: 4" VNVL COVE BASE (JOHNSONITE, #44 DARK BROWN B) - SEE DETAIL 11/A-4.1
PT. CMU: EPOXY PAINTED CONCRETE BLOCK
PT. PLYWOOD: PAINTED PLYWOOD

DOOR SCHEDULE																		
DR. NO.	RM. NO.	WIDTH	HEIGHT	THK	TYPE	MATERIAL	FINISH	LITE SIZE	DETAILS				FRAME		REMARKS	DR. NO.		
									LABEL	HEAD	JAMB	SILL	MATERIAL	FINISH			THRESH	HDW
FIRST FLOOR																		
101	101	3'-0"	X	7'-0"	1 3/4"	A	HOLLOW METAL	PAIN	-	N/A	7/A-3.1	6/A-3.1	5/A-3.1	HOLLOW METAL	PAIN	ALUM.	3	DOOR CLOSER
102	102	3'-0"	X	7'-0"	1 3/4"	A	HOLLOW METAL	PAIN	-	N/A	7/A-3.1	6/A-3.1	5/A-3.1	HOLLOW METAL	PAIN	ALUM.	2	DOOR CLOSER
103	103	3'-0"	X	7'-0"	1 3/4"	A	HOLLOW METAL	PAIN	-	N/A	7/A-3.1	6/A-3.1	5/A-3.1	HOLLOW METAL	PAIN	ALUM.	3	DOOR CLOSER

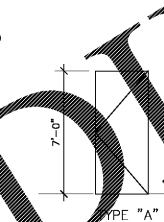
**NOTE: PROVIDE DOOR SIGNAGE FOR ALL DOORS

GENERAL DOOR NOTES

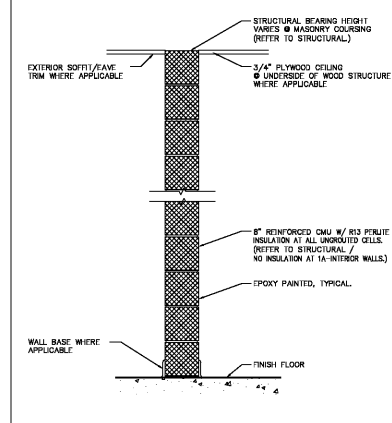
- DOOR HARDWARE SHALL BE OF THE LEVER TYPE, MOUNTED 30 INCHES TO 40 INCHES ABOVE THE FLOOR. THE DOOR OPERATION SHALL MEET ALL APPLICABLE CODES FOR BOTH EXTERIOR AND INTERIOR DOORS. THE LOWER 12 INCHES OF THE DOOR SHALL ALSO MEET ALL APPLICABLE CODES TO ALLOW THE DOOR TO BE OPENED BY A WHEELCHAIR FOOTREST.
- PROVIDE ASTRAGALS AT ACTIVE EXTERIOR DOOR LEAFS & WEATHERSTRIPPING AT EXTERIOR DOORS HEAD, JAMB AND SILL.
- ILLUMINATED "EXIT" SIGNS TO HAVE A MINIMUM OF 8" HIGH "RED" LETTERS.
- PROVIDE POSITIVE KEY-LOCKING CYLINDERS AND CYLINDER GUARDS ON ALL MORTISE OR RIM TYPE CYLINDER ON FACE OF DOOR OR IS OTHERWISE ACCESSIBLE TO GRIPPING TOOLS.
- ALL PIN TYPE HINGES WHICH ARE ACCESSIBLE FROM THE OUTSIDE WHEN THE DOOR IS CLOSED SHALL HAVE NON-REMOVABLE HINGE PINS.
- PROVIDE LEVER TYPE HARDWARE, PANIC BARS, PUSH-PULL ACTIVATING BARS, OR OTHER HARDWARE DESIGNED PROVIDE PASSAGE WITHOUT REQUIRING THE ABILITY TO GRASP THE OPENING HARDWARE.
- EXIT DOORS SHALL SWING IN THE DIRECTION OF EXIT TRAVEL WHEN SERVING ANY HAZARDOUS AREA OR WHEN SERVING AN OCCUPANT LOAD OF 50 OR MORE. ALL EXTERIOR DOORS TO HAVE EXIT DEVICE (PANIC HARDWARE).
- ALL DOORS INCLUDING EXIT DOORS SHALL BE OPERABLE FROM THE INSIDE WITHOUT THE USE OF A KEY, SPECIAL KNOWLEDGE, OR EFFORT. ALL EXIT DOORS EXCEPT AT MAIN ENTRY TO BUILDING EXTERIOR SHALL BE PROVIDED WITH "SLIMLINE" PANIC HARDWARE AND CLOSER AND ALARM.
- HARDWARE SCHEDULE SHALL BE PREPARED AND SUBMITTED FOR REVIEW AND APPROVAL.

DOOR TYPES

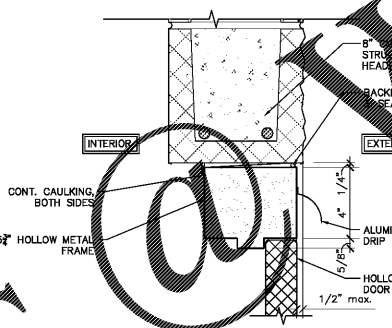
SCALE: 1/4" = 1'-0"



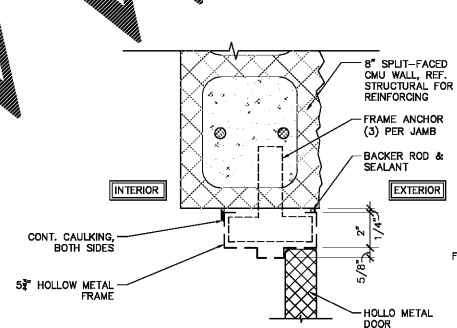
DOOR HARDWARE GROUPS: DOOR HARDWARE TO BE DETERMINED



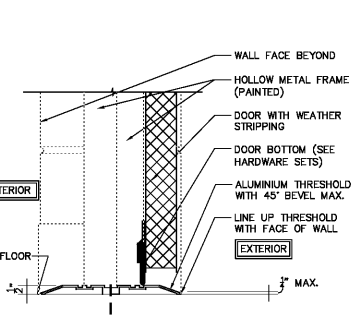
1	8" REINFORCED SPLIT FACE OR GROUND FACE CMU WALL W/ PERLITE INSULATION AT ALL UNGROUTED CELLS. REFER TO SECTIONS FOR SPLIT FACE AND SMOOTH FACE LOCATIONS.
1A	8" REINFORCED SMOOTH FACE EPOXY PAINTED CMU.



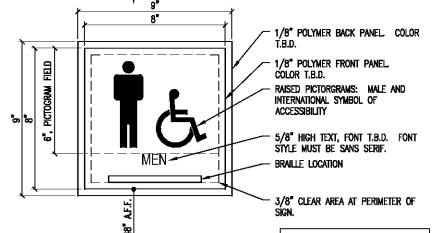
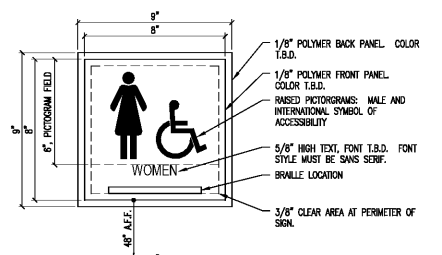
4 EXT. HOLLOW MTL. HEAD 3'-11"0"



6 EXT. HOLLOW MTL. JAMB A.3.1 3'-11"0"



5 DOOR THRESHOLD DETAIL A.3.1 3'-11"0"

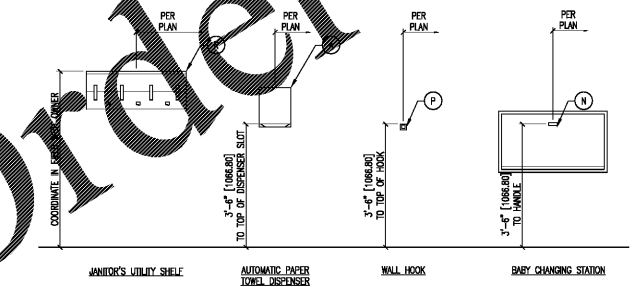


NOTES:
1. ALL MATERIALS SHALL BE STAINLESS STEEL OR ALUMINUM PLATE, POWER COATED.
2. SIGN SHALL BE PIN-MOUNTED ON ALL (4) CORNERS WITH A MINIMUM 1/2" STANDOFF.

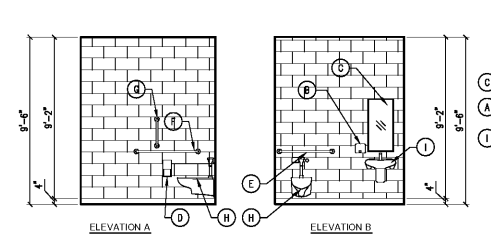
3 RESTROOM SIGNAGE A.3.1 3'-11"0"

TOILET AND BATHROOM ACCESSORY KEYNOTES

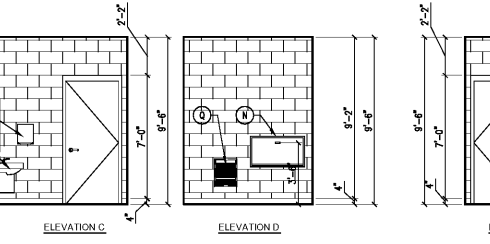
- AUTOMATIC PAPER TOWEL DISPENSER (SURFACE MOUNTED): SATIN STAINLESS STEEL FINISH.
- SOAP DISPENSER (SURFACE MOUNTED ON WALL): SATIN STAINLESS STEEL FINISH.
- MIRROR, CHANNEL FRAME: BOBICK, MIRROR WITH STAINLESS STEEL CHANNEL FRAME 8-165 2436. SATIN STAINLESS STEEL FINISH, POLISHED MIRROR GLASS (COATING ON SECOND FACE)
- TOILET TISSUE DISPENSER (SURFACE MOUNTED): SATIN STAINLESS STEEL FINISH.
- TOILET GRAB BAR - 36", HORIZONTAL: SATIN STAINLESS STEEL FINISH.
- TOILET GRAB BAR - 42", HORIZONTAL: SATIN STAINLESS STEEL FINISH.
- TOILET GRAB BAR - 18", VERTICAL: SATIN STAINLESS STEEL FINISH.
- ADA-COMPLIANT WALL-HUNG TOILET - SEE PLUMBING DRAWINGS.
- ADA-COMPLIANT WALL-HUNG LAVATORY WITH INTEGRAL PIPING SHROUD - SEE PLUMBING DRAWINGS.
- HS-10 ADA COMPLIANT DRINKING FOUNTAIN.
- MOP SINK.
- ZURIN FLOOR DRAIN MODEL 24198 OR 2525.
- MEP SINK UTILITY SHELF: SATIN STAINLESS STEEL FINISH.
- W. BABY CHANGING STATION.
- TOILET SEAT COVER DISPENSER (SURFACE MOUNTED): SATIN STAINLESS STEEL FINISH.
- WALL MOUNTED HOOK: SATIN STAINLESS STEEL FINISH.
- ELECTRIC WALL HEATER, REF. MEP.
- JANITOR'S UTILITY SHELF.



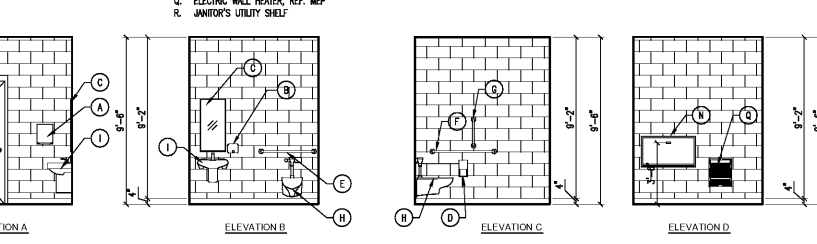
3 MISCELLANEOUS ACCESSORIES A.3.1 1/2"=1'-0"



2 WOMENS 101 - ELEVATIONS A.3.1 1/4"=1'-0"



1 MENS 103 - ELEVATIONS A.3.1 1/4"=1'-0"



4 RESTROOM SIGNAGE A.3.1 3'-11"0"

Order Plans @ WWW.LDOnline.com