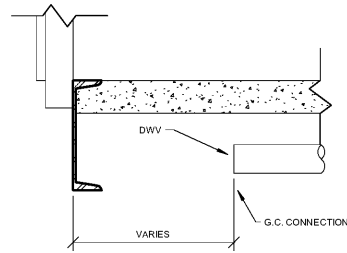
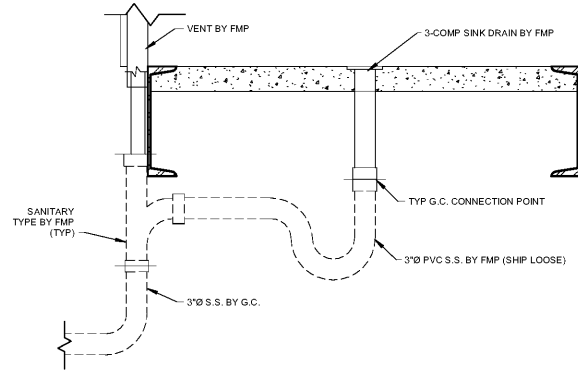


COPYRIGHT NOTICE
This drawing is the property of the above named professional and is not to be reproduced for any purpose other than the specific project and site named herein, without the written permission of the professional.

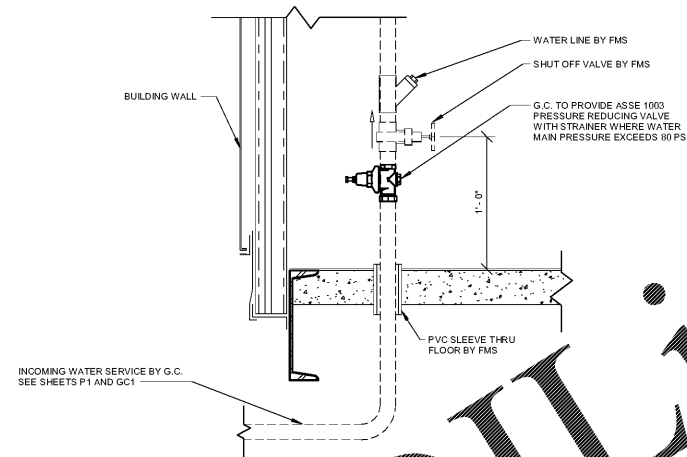
ISSUE RECORD		
DATE	REV.	DESCRIPTION
03/29/2018		PERMIT SUBMISSION SET



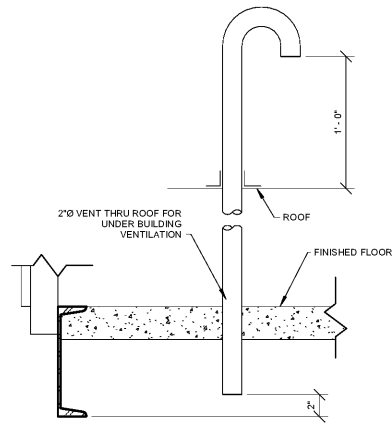
A DETAIL A
F2 1 1/2" = 1'-0"



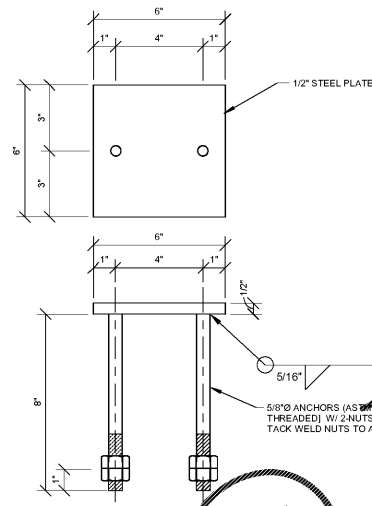
B DETAIL B
F2 1 1/2" = 1'-0"



E DETAIL E
F2 1 1/2" = 1'-0"



F DETAIL F
F2 1 1/2" = 1'-0"



G WELD PLATE DETAIL
F2 3" = 1'-0"

(FURNISHED & INSTALLED BY SITE CONTRACTOR)

- FIELD NOTES:**
1. SECURE BUILDING BY WELDING CHANNEL TO WELD PLATES BY FMS.
 2. ALL PERAPS FOR EQUIPMENT IN THE BUILDING BY FMS.
 3. ALL PERAPS FOR FLOOR DRAINS AND FLOOR SINKS UNDER BUILDING ARE TO BE SUPPLIED BY FMS.
 4. ALL BUILDING DRAIN CONNECTIONS TO POINTS INDICATED ARE PVC OR PER AND ARE SUPPLIED BY G.C.
 5. ALL CONCRETE SHALL BE A MINIMUM OF 3000 PSI AT 28 DAYS.
 6. TOP OF FOOTINGS TO BE LEVEL WITHIN ± 1/4" TOL.
 7. REFER TO OWNER - ENGINEERED SITE PLANS FOR LOCATIONS OF GREASE TRAP, SEWER, WATER MAIN, SITE LIGHTING AND ELECTRICAL SERVICE.
 8. SOIL BENEATH FOOTINGS TO BE WELL COMPACTED AND BE CAPABLE OF SUPPORTING LOADS AS DESCRIBED IN THE GEOTECHNICAL REPORT. SOIL CONDITIONS ARE THE CONTRACTOR'S RESPONSIBILITY.
 9. SETTLING OF THE FOOTINGS IS THE CONTRACTOR'S RESPONSIBILITY.
 10. ALL FIELD WORK BY G.C.



PROFESSIONAL SEAL



PROFESSIONAL IN CHARGE

K NOLAN

PROJECT MANAGER

M YOUNG

QUALITY CONTROL

B McGLADE

DRAWN BY

D MAHONEY

PROJECT NAME

MURPHY USA

MURPHY OIL CONVENIENCE STORE
508 SC - 72

GREENWOOD, SC 29646

FREY MOSS STRUCTURE

1801 Rockdale Industrial Blvd.
Conyers, Georgia 30012
Voice: (800) 366-6385
Fax: (770) 463-8037

FMS JOB NUMBER

G1XMXXXX

FMS MODEL NUMBER

XXXXXX

PROJECT NUMBER

20170844.0

SHEET TITLE

FOUNDATION DETAILS

SHEET NUMBER

F2

PROTO V3.0 01/03/2017

Order Plans @

BAKER, INGRAM, & ASSOCIATES
STRUCTURAL ENGINEERS

TWO WHITE HORSE PIKE HADDON HEIGHTS, NJ 08035
(856) 310-1491 fax: (856) 310-1829