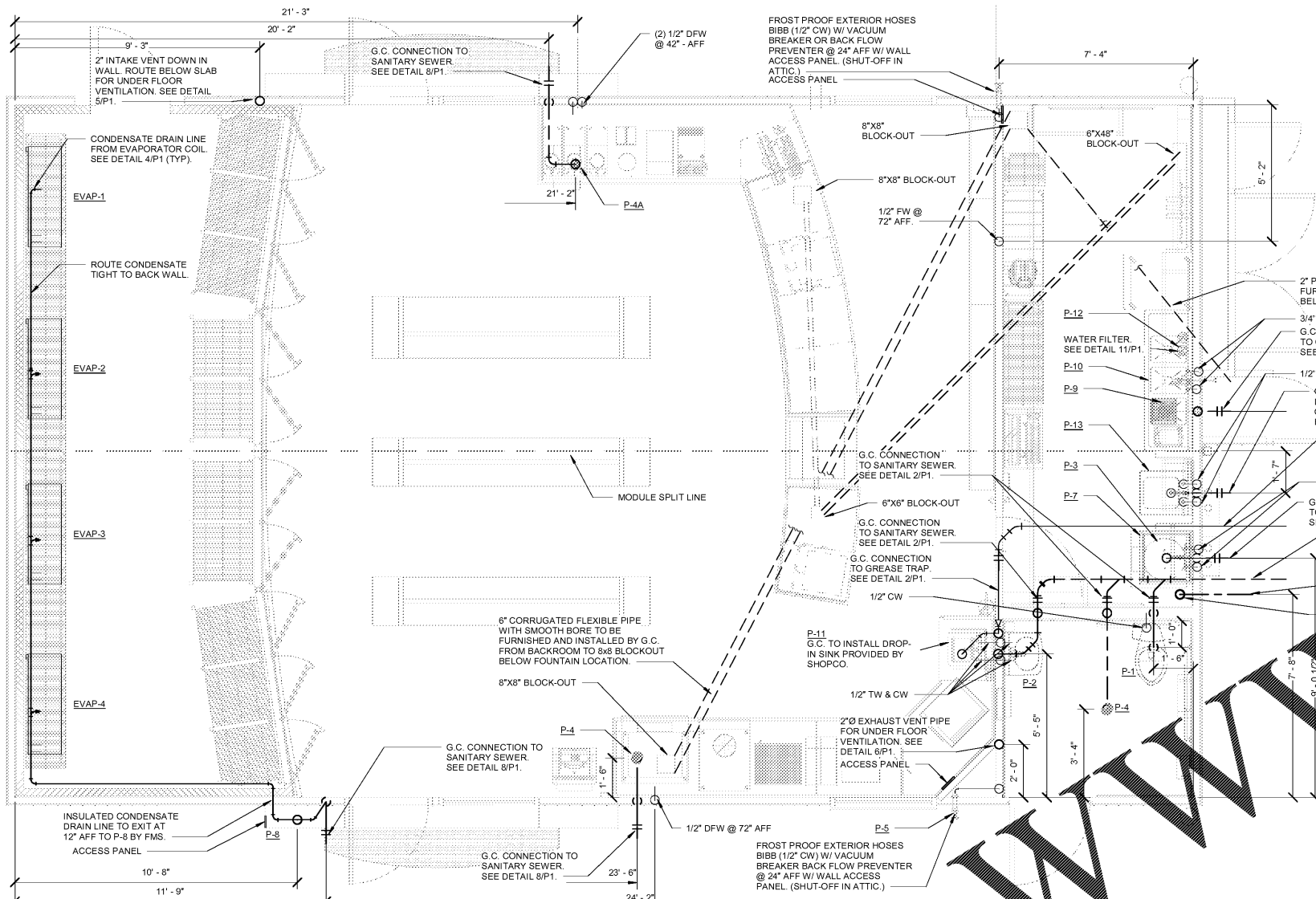


COPYRIGHT NOTICE
This drawing is the property of the above referenced professional and is not to be used for any purpose other than the specific project and site named herein, without the written permission of the professional.

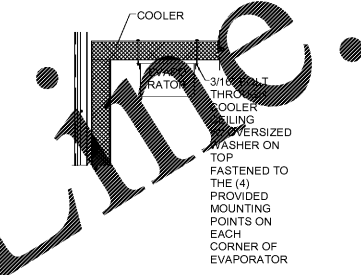
ISSUE RECORD	
DATE	REV. DESCRIPTION
03/20/18	PERMIT SUBMISSION SET

GENERAL NOTES:

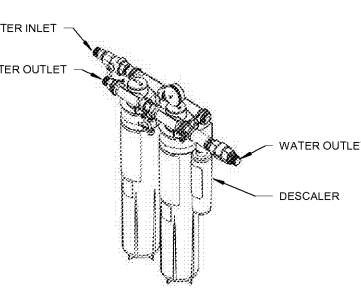
- ALL PLUMBING TO BE IN ACCORDANCE WITH THE APPLICABLE PLUMBING CODE.
- WATER LINES TO BE CPVC.
- OPEN.
- ALL WASTE LINE PLUMBING TO BE TYPE DWV SCH 40 PVC.
- ALL VENTS THRU ROOF SHALL BE A MINIMUM OF 3" TO PREVENT FROST CLOSURE, 12" BELOW ROOF TO 12" ABOVE ROOF. (UNO)
- ALL FIELD WORK BY G.C.
- ALL VENTS ARE 2" UNLESS NOTED OTHERWISE.
- FOUNTAIN BAR WITH FREE WATER INSIDE BUILDING.
- ALL DWV UNDER UTILITY AND RESTROOM ARE WITHIN THE BASE FRAME DEPTH - EXCEPT FOR P-TRAPS.
- ALL PULL DIMENSIONS ARE TO BASE FRAME.
- G.C. TO PROVIDE INDIVIDUAL BACKFLOW PREVENTER, WATTS SP-10 (1022) OR EQUIVALENT BFP ASSEMBLY, FOR COFFEE MACHINE AND CARBONATED BEVERAGE MACHINE.
- G.C. TO PROVIDE INDIVIDUAL BACKFLOW PREVENTER, WATTS SP-7 OR EQUIVALENT BFP ASSEMBLY, FOR ICE MAKER.
- NO PLUMBING IS TO PROJECT THROUGH OUTSIDE BASE FRAME. PLUMBING IS TO BE STUBBED OUT FROM BOTTOM OF BLDG. G.C. IS RESPONSIBLE FOR CONNECTION. POTABLE WATER LINES ARE CPVC DWV IS PVC SCH 40.



1 PLUMBING PLAN
P1
3/8" = 1'-0"



10 EVAPORATOR UNIT MOUNTING DETAIL
P1
3/4" = 1'-0"

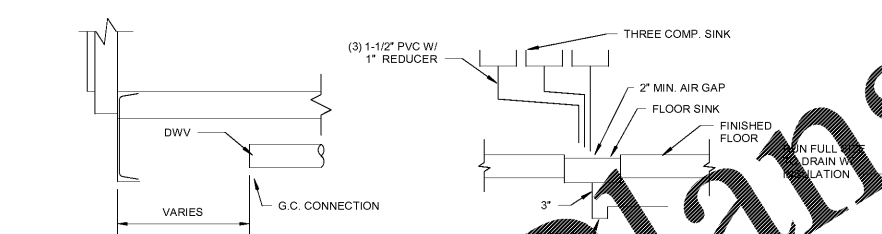


11 WATER FILTER DETAIL
P1
N.T.S.

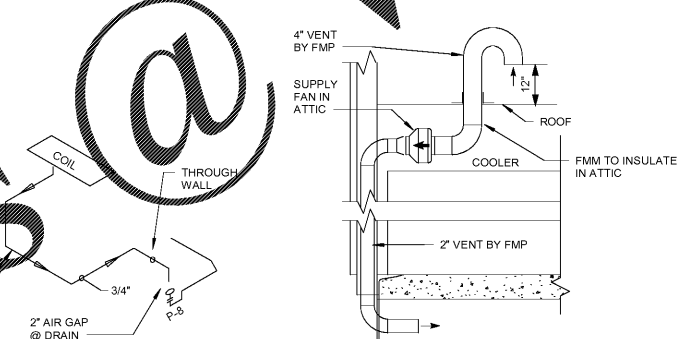


PLUMBING FIXTURE SCHEDULE

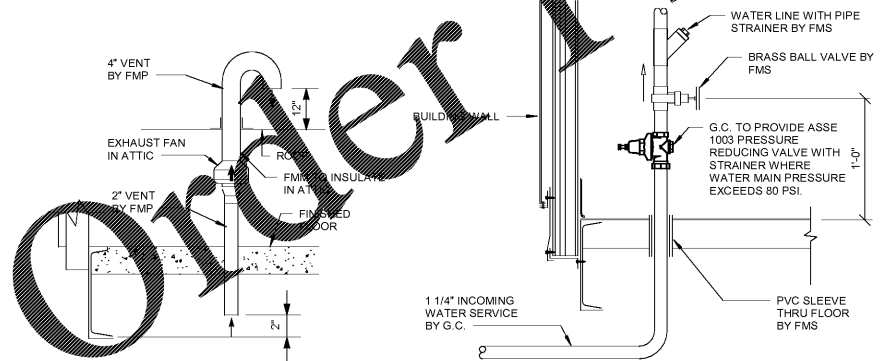
ITEM #	FIXTURE	WATER		DRAIN	DESCRIPTION AND REMARKS (OR EQUAL)	FURNISHED BY	INSTALLED BY
		H	C				
P-1	WATER CLOSET - ADA	-	1/2"	3"	WATER CLOSET ZURN 5555, 1.28 GPF ELONGATED BOWL WITH Z5535 TANK AND LOCKING LID. BENEKE 523 SS OPEN SEAT.	FMP	FMP
P-2	LAVATORY - ADA	1/2"	1/2"	1-1/4"	LAVATORY - ZURN #Z5350 - 19" x 17" VITREOUS CHINA WALL MOUNTED W/ NO BACK-SPLASH FAUCET - ZURN #Z-6915XL - SENSOR ACTIVATED, CENTERSET ON DRAIN WITH ASSE 1070 APPROVED MIXING VALVE - SLOAN #MIX-135-A.	FMP	FMP
P-3	WATER HEATER	-	3/4"	-	RHEEM #E12A-9-G 12 GALLON, 240V SINGLE PHASE, 9000 WATTS WITH WATTS #PLT-5, 2.1 GALLON EXPANSION TANK.	FMP	FMP
P-4	FLOOR DRAIN	-	-	3"	WADE #1103-STD5-NH-6 3" FLOOR DRAIN W/ TRAP SEAL BY PROSET SYSTEMS TRAPGUARD #TG33IP WITH BELL EXCEPT IN RESTROOMS.	FMP	FMP
P-4A	FLOOR DRAIN	-	-	3"	WADE #1103-STD5-NH-6 3" FLOOR DRAIN. PROVIDE AND INSTALL FLOOR DRAIN WITH TEMPORARY DRAIN PLUG, CHERNE PIPE GRIPPER, OR EQUAL. PROVIDE SURE SEAL TRAP SEAL, OR EQUAL, FOR FUTURE USE.	FMP	FMP
P-5	HOSE BIBB	-	1/2"	-	WOODFORD MODEL 30 FREEZELESS, AUTOMATIC DRAINING WALL FAUCET WITH ASSE 1052 DUAL CHECK BACKFLOW PREVENTER.	FMP	FMP
P-6	OPEN	-	-	-	-	-	-
P-7	SERVICE MOP SINK	1/2"	1/2"	3"	FIAT #MSB2424 FLOOR MOUNTED MOP SINK 24"x24"x10" W/ FIAT #830AA SERVICE SINK FAUCET OR EQUAL (DRAIN TO GREASE TRAP).	FMP	FMP
P-8	DRAIN	-	-	3"	HUB DRAIN TRAP SEAL BY PROSET SYSTEMS TRAPGUARD #TG33IP.	FMP	FMP
P-9	FLOOR SINK	-	-	3"	PVC FLOOR SINK W/ HALF GRATE TRAP SEAL BY PROSET SYSTEMS TRAPGUARD #TG33IP (DRAIN TO GREASE TRAP).	FMP	FMP
P-10	3-COMPARTMENT SINK	3/4"	3/4"	3" (3)	ELKAY SSP - #3C10X14-2-16X, 66" GREENWORLD W/ ZURN, #Z800X0-AF-P1, PRE-RINSE HOSE ASSEMBLY.	FMP	FMP
P-11	HAND SINK	1/2"	1/2"	1-1/2"	ADVANCED TABCO D1-1-35 DROP-IN SINK WITH ASSE 1070 APPROVED MIXING VALVE - SLOAN #MIX-135-A (DRAIN TO GREASE TRAP).	SHOPCO	G.C.
P-12	WATER FILTER	-	3/4"	-	3M WATER FILTRATION SYSTEM AQUAPURE DP290.	FMP	FMP
P-13	HAND SINK	1/2"	1/2"	1-1/2"	ADVANCE TABCO MODEL #7-PS-75 W/SPLASH MOUNT GOOSENECK FAUCET MODEL K-132, BASKET TYPE DRAIN.	FMP	FMP
P-14	OPEN	-	-	-	-	-	-
P-15	OPEN	-	-	-	-	-	-



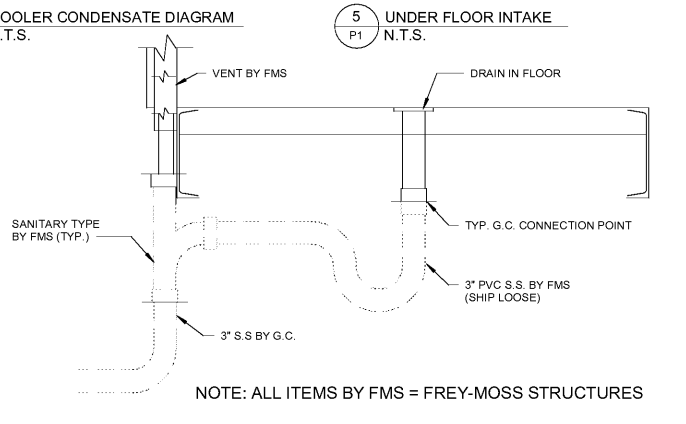
2 INTERIOR CONNECTION TO SANITARY SEWER
P1
N.T.S.



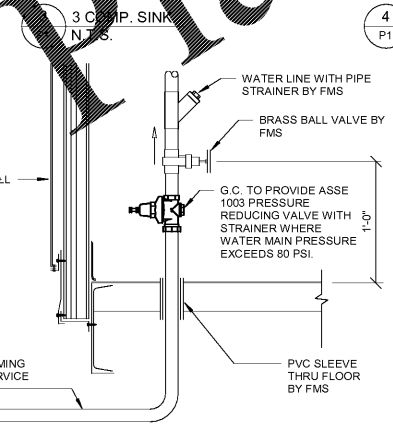
4 COOLER CONDENSATE DIAGRAM
P1
N.T.S.



6 UNDER FLOOR EXHAUST
P1
N.T.S.



8 FLOOR DRAIN CONNECTION DETAIL
P1
N.T.S.



7 WATER SERVICE DETAIL
P1
N.T.S.

NOTE: ALL ITEMS BY FMS = FREY-MOSS STRUCTURES

Order Plans @

WWW.LDILine.com

PROFESSIONAL SEAL



03/29/2018

PROFESSIONAL IN CHARGE

ERIC WOLF

PROJECT MANAGER

ERIC WONG

QUALITY CONTROL

ERIC WONG

DRAWN BY

AVERY LANE

PROJECT NAME

MURPHY USA

MURPHY OIL CONVENIENCE STORE

adsadfasdfs 1

ADDRESS 2

1801 Rockdale Industrial Blvd.
Conyers, Georgia 30012

Phone: (800) 366-6385
Fax: (770) 483-6037

FMS JOB NUMBER
G18MUD0000

FMS MODEL NUMBER
XXXXXX

PROJECT NUMBER

20180000.0

SHEET TITLE

PLUMBING PLAN

SHEET NUMBER

P1

PROTO V3.0

01/03/2017