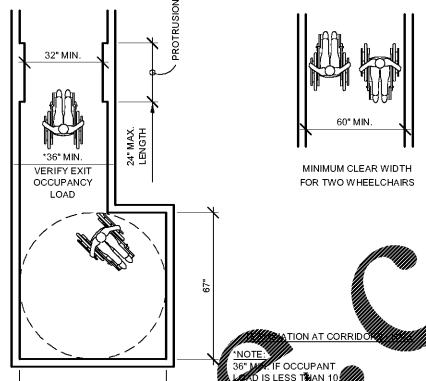
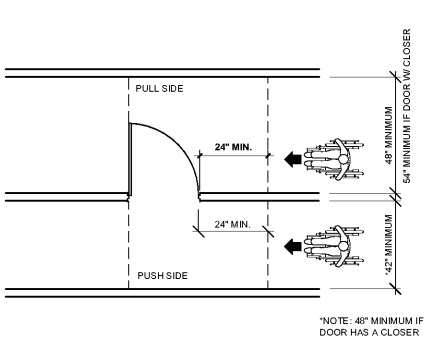
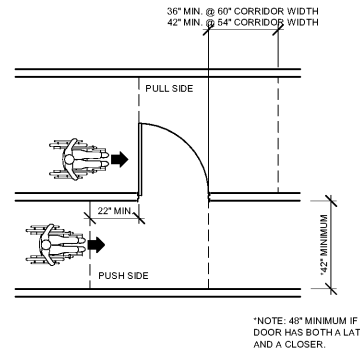
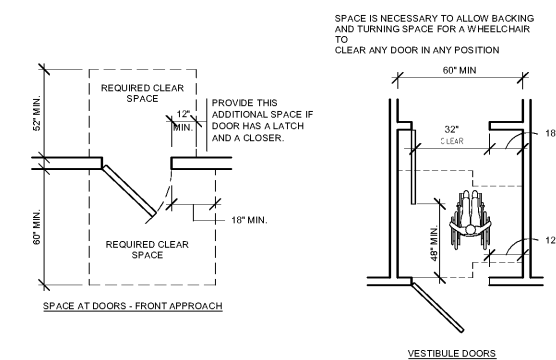
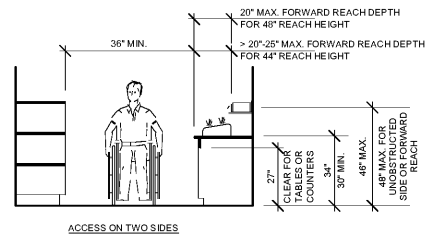
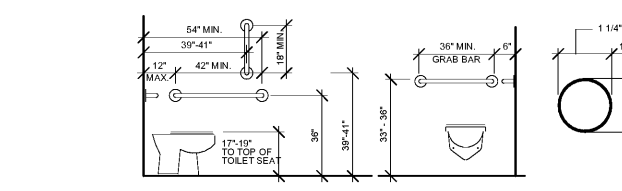


COPYRIGHT NOTICE
This drawing is the property of the above named professional and is not to be used for any purpose other than the specific project and site named herein, without the written permission from GreenbergFarrow.

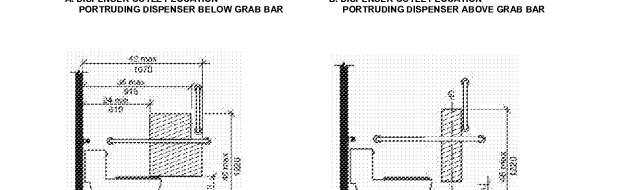
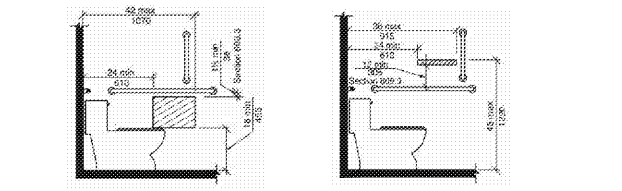
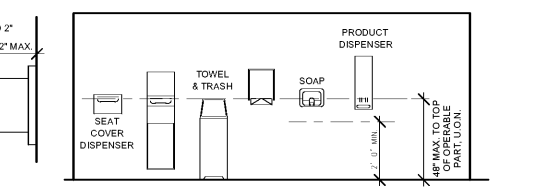
ISSUE RECORD	
DATE	REV. DESCRIPTION
02/14/2017	PERMIT SUBMISSION SET
02/22/2018	1 REVISED PERMIT SET



K1 AISLES



K3 DOOR OPENINGS AT CORRIDORS / HALLS



GENERAL NOTES

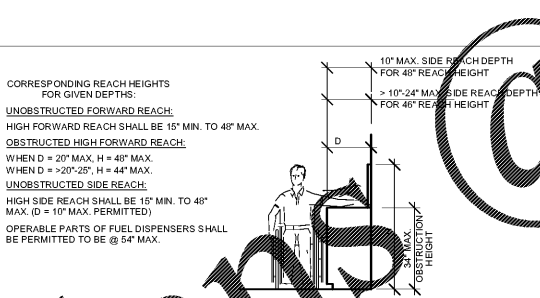
- ACCESSIBILITY STANDARDS MAY VARY SLIGHTLY FROM THOSE SHOWN HERE ACCORDING TO THE REFERENCED STANDARDS OF THE APPLICABLE CODES...
- IT IS THE CONTRACTOR'S RESPONSIBILITY TO INFORM THE ARCHITECT AND/OR THE CIVIL ENGINEER OF ANY DISCREPANCIES, SUBTLE OR OTHERWISE, FROM WHAT IS SHOWN HERE AND THE APPLICABLE CODE/LAW/ORDINANCE.
- THESE DIAGRAMS ILLUSTRATE THE SPECIFIC REQUIREMENTS OF THESE REGULATIONS AND ARE INTENDED ONLY AS AID FOR BUILDING AND CONSTRUCTION.

WATER CLOSET AND ACCESSORIES:

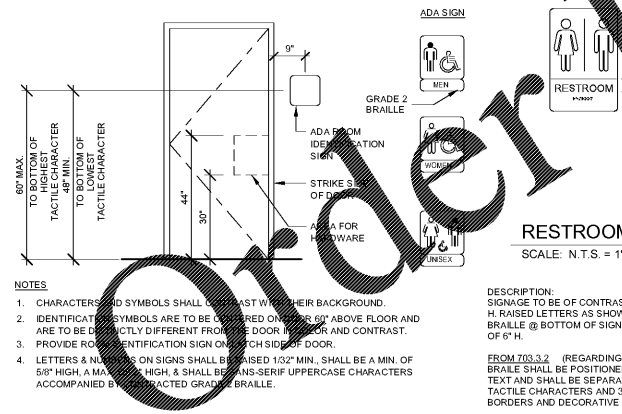
- THE HEIGHT OF ACCESSIBLE WATER CLOSETS SHALL BE A MINIMUM OF 17\"/>

GRAB BARS:

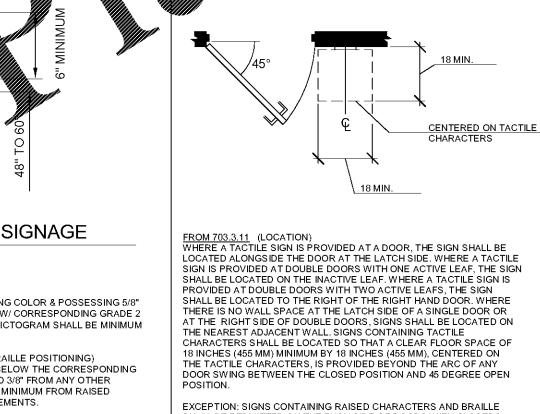
- THE REAR GRAB BARS SHALL BE INSTALLED IN A HORIZONTAL POSITION, 33 INCHES (840 MM) MINIMUM AND 36 INCHES (915 MM) MAXIMUM ABOVE FLOOR MEASURED TO THE TOP OF THE GRIPPING SURFACE.
- THE DIAMETER OR WIDTH OF THE GRIPPING SURFACES OF A GRAB BAR SHALL BE 1-1/4\"/>



D1 WC & TOILET ACCESSORIES NOTES AND INFO.



A1 REAR RANGES



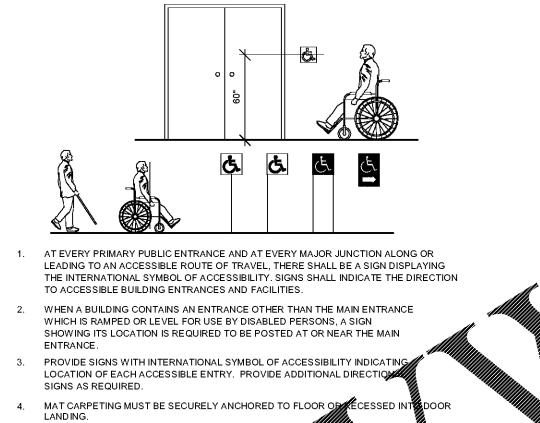
A3 RESTROOM SIGNS

NO SCALE

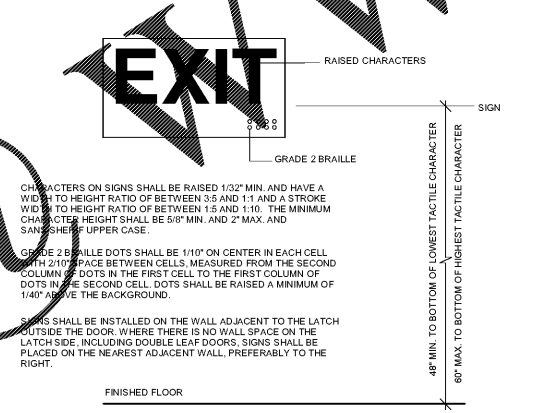
A4 SIGNS

NO SCALE

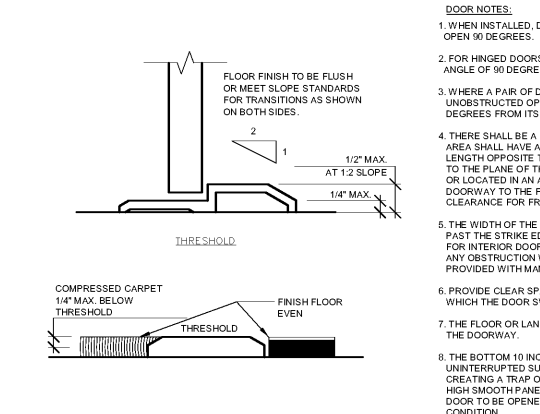
G5 ENTRY AND DIRECTIONAL SIGNS



G7 LAVATORIES



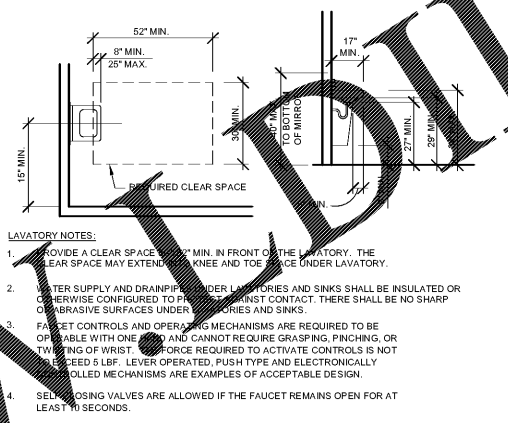
D5 EXIT TACTILE SIGN



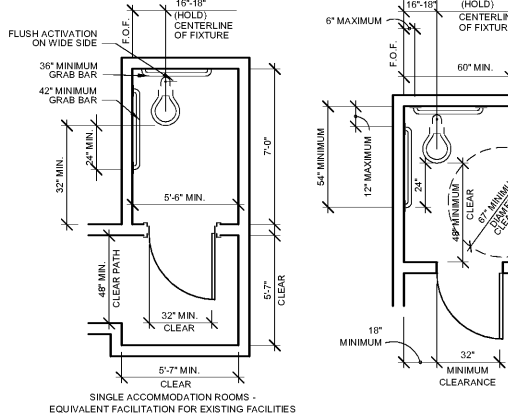
A5 DOORS

NO SCALE

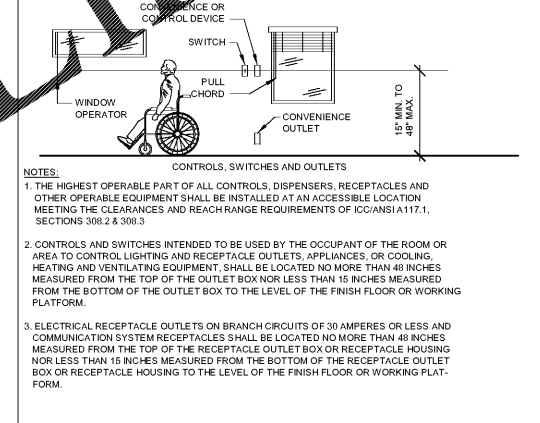
G13 CONTROLS AND OPERATING MECHANISMS



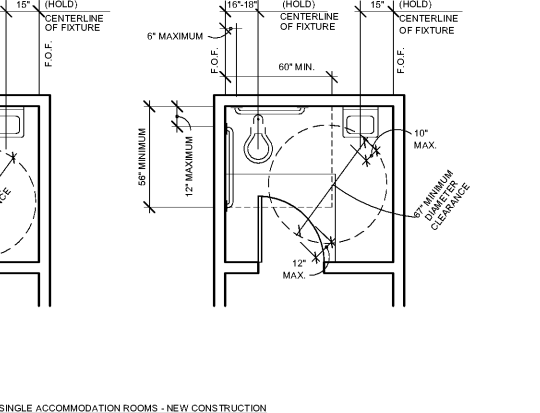
D7 RESTROOM / TOILET ROOMS



G13 CONTROLS AND OPERATING MECHANISMS



D7 RESTROOM / TOILET ROOMS



PROFESSIONAL IN CHARGE
SUSAN NELSON KOUGIUS
PROJECT MANAGER
JOHN NASHED
QUALITY CONTROL
CHRIS CERBO
DRAWN BY
SAMUEL VANORA

PROJECT NAME
MURPHY OIL CONVENIENCE STORE
508 SC - 72
GREENWOOD, SC 29646

FREY MOSS STRUCTURE
1801 Rockdale Industrial Blvd.
Conyers, Georgia 30012
Voice: (800) 366-6365
Fax: (770) 483-6037
PFS JOB NUMBER: G18M00025
PFS MODEL NUMBER: XXXXXX
PROJECT NUMBER
20170844.0

SHEET TITLE
ACCESSIBILITY STANDARD NOTES & DETAILS

SHEET NUMBER
A1

PROTO VS.0 01/03/2017