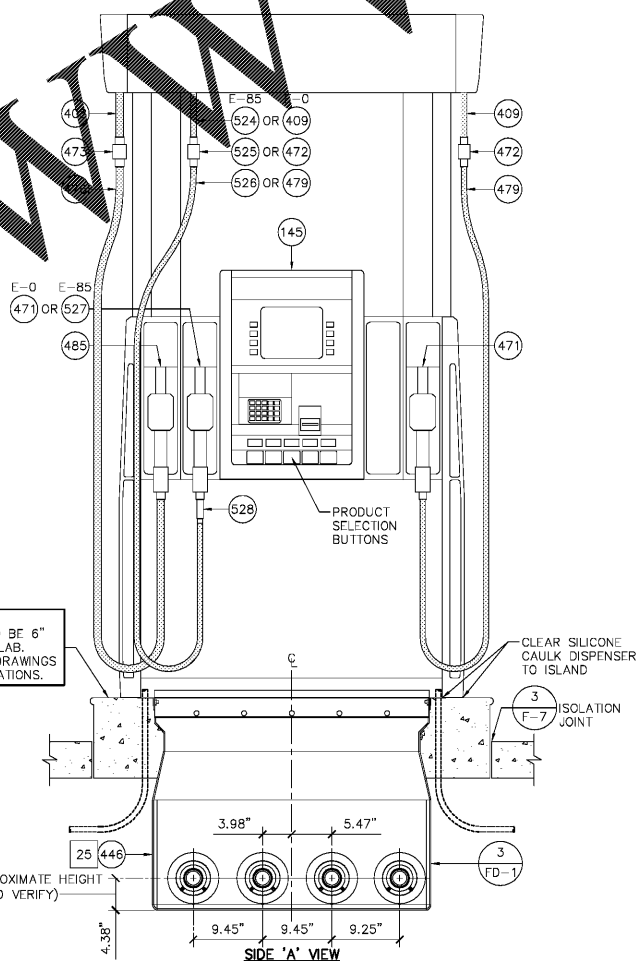
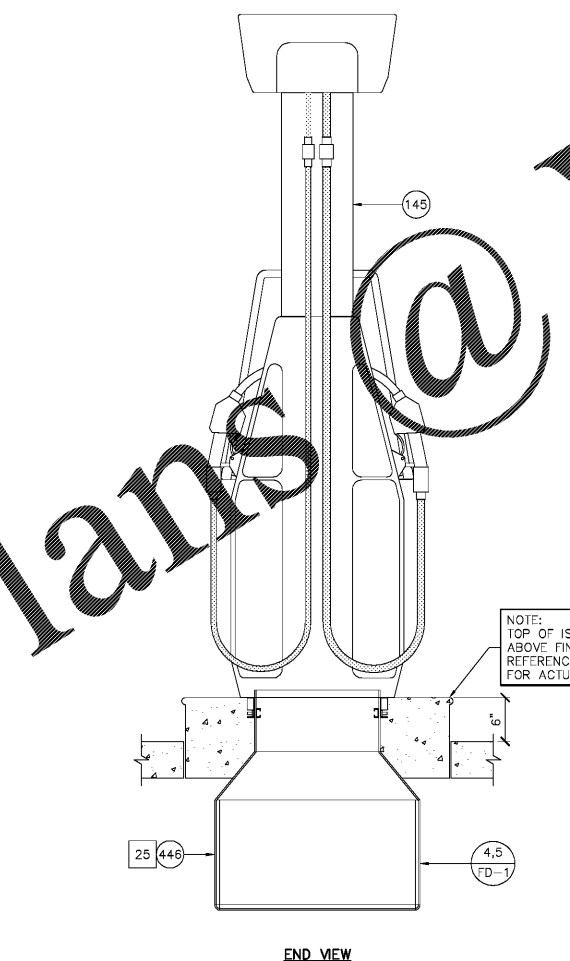
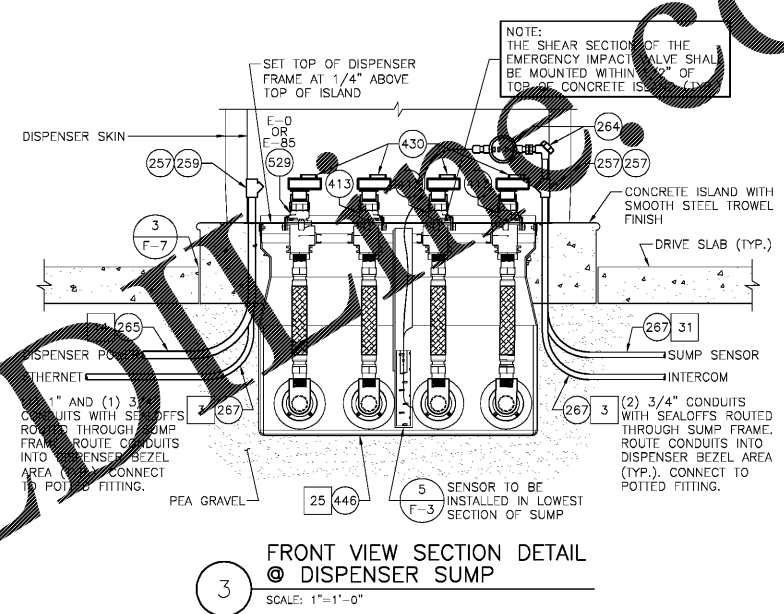
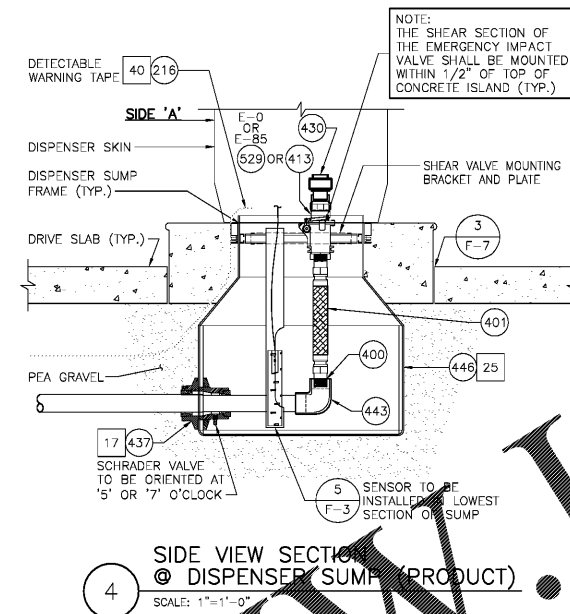
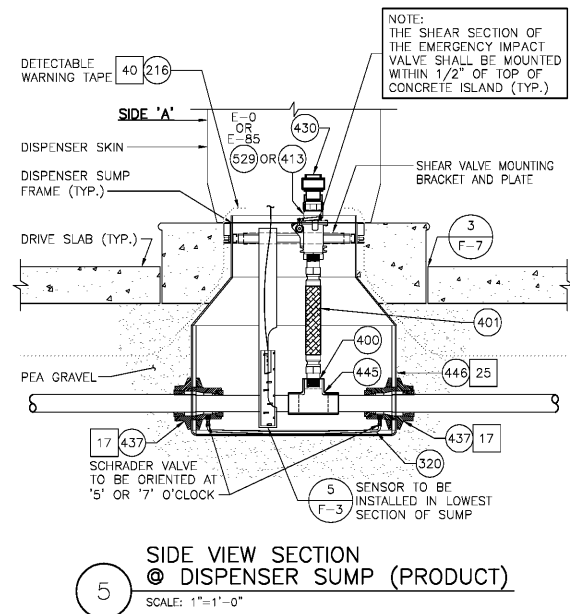


LEGEND:

- = PART NUMBER; SEE SHEET F-1
- = KEYNOTE; SEE SHEET F-1
- = CONDUIT; SEE SHEET FE-1
- = DETAIL CALLOUT
- = ELEVATION CALLOUT
- = SECTION CALLOUT

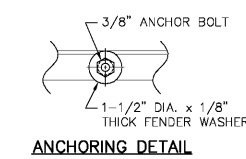


INSTRUCTIONS FOR INITIAL ATG SETUP:

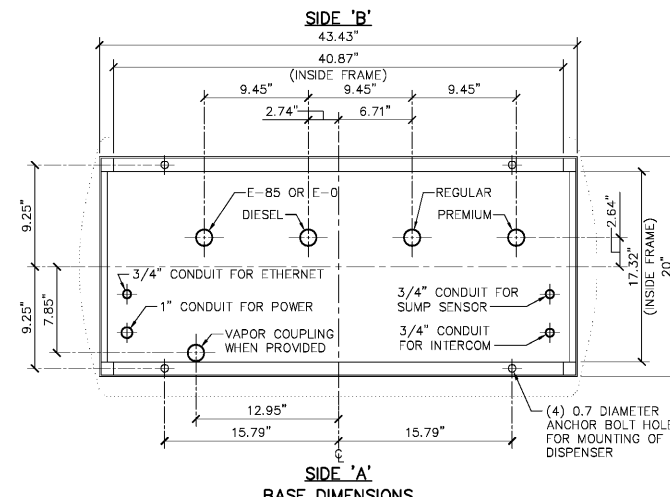
NOTES: SEE MURPHY ATG MANUAL FOR DETAILS. SEE SHEET F-7 FOR ISLAND LAYOUT.

NOTE TO CONTRACTOR:

- PHONE LINE INSTALLATION MUST BE COMPLETE AND PHONE NUMBERS MUST BE MARKED ON PHONE JACKS.
- ELECTRICAL INSTALLATION MUST BE COMPLETE, ENERGIZED, AND INSPECTED.
- PUMPS AND DISPENSERS MUST BE STARTED-UP AND BE OPERATING PROPERLY.
- PRODUCT LINES MUST BE PURGED AND METERS MUST BE CALIBRATED.
- EMERGENCY SHUTDOWN SYSTEMS MUST BE TESTED.
- CAT TO BE NUMBERED INTERNALLY BEGINNING AT 0, THEN FOLLOW DISPENSER NUMBERING.
- CHIND FIRMWARE VERSION 20.2.3 OR LATER TO BE INSTALLED. (FIRMWARE DOES NOT HAVE TO BE REPLACED WITH GENERIC IF THIS VERSION IS INSTALLED. IF NOT, 60.3.2 GENERIC MAY BE USED.)
- CONTRACTOR TO PULL (2) TWISTED PAIRS TO EACH DISPENSER FOR PUMP CONTROLLER.



89 PLUS GRADE BLENDING RATIO		
	PREMIUM	REGULAR
OCTANE RATIO	93	87
	34%	66%
OCTANE RATIO	92	87
	40%	60%
OCTANE RATIO	91	87
	50%	50%



- NOTES:**
- ALL DISPENSER NOZZLES HAVE A MAXIMUM 10 GPM FLOW RATE.
 - SEE DRAWING FL-1 FOR DECAL PLACEMENT.
 - PROGRAM DISPENSERS TO LIMIT FUEL DELIVERY TO 50 GALLONS AND REQUIRE MANUAL ACTION TO RESUME.
 - ELECTRICAL CONTINUITY NOTE: ALL EQUIPMENT SPECIFIED REPRESENTS A GROUNDING CONTINUITY PATH PER NFPA70 250.96 WHEN INSTALLED AS SHOWN.

STANDARD

FD-1
WAYNE
OCTOBER 2017
STANDARDS



DISPENSER DETAILS
FOUR PRODUCT (3+1+1)
SCALE: AS NOTED
DATE: MARCH, 2018
FILE NAME: 14-Mac800616_FD-1
DATE: _____
NO. _____
REVISION _____

508 SC - 72
GREENWOOD SOUTH CAROLINA

Galloway
Planning, Architecture, Engineering
6102 S. Wilcox Drive, Suite 330
Greenwood Village, CO 80111
303.770.8300
www.gallowayUS.com



MURPHY USA
MURPHY OIL U.S.A. INC.
200 EAST PEACH STREET
EL DORADO, ARKANSAS 71730

Order Plans @