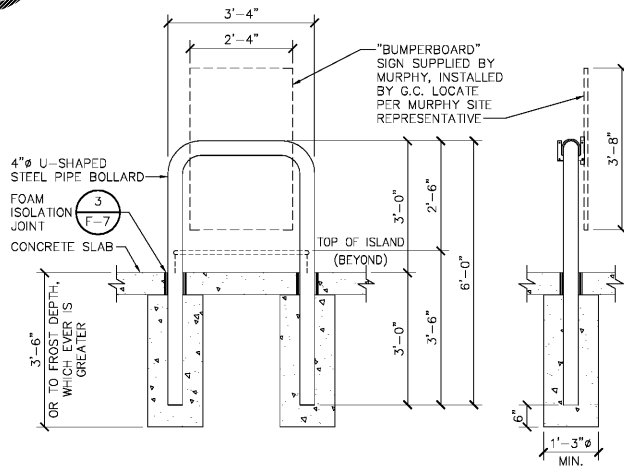
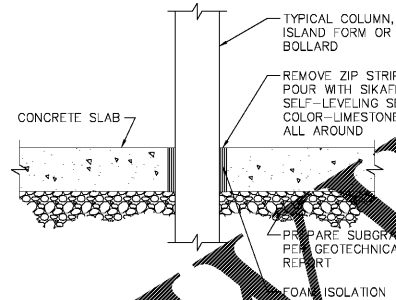


Order Plans @ www.LDOnline.com

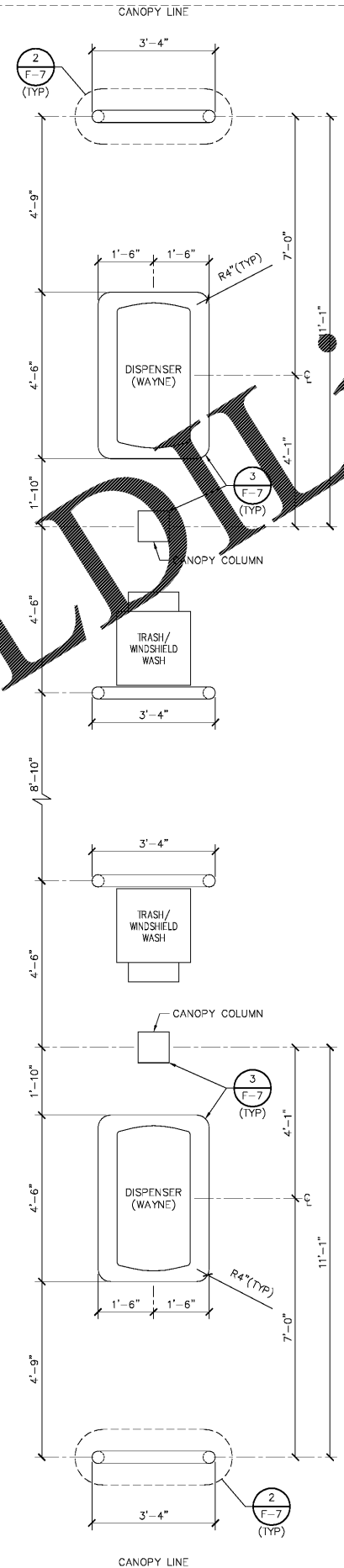


2 U-BUMPER DETAIL
SCALE: 1/2" = 1'-0"



- NOTES:
- CONTRACTOR TO INSTALL FOAM ISOLATION JOINTS AROUND ALL CONCRETE TO SOIL JOINTS (I.E. COLUMNS, BRANDS, BOLLARDS, HOSE BIBS, ETC.).
 - CONTRACTOR TO USE DECK-O-FOAM AA310-M 153-84, BY SEALTIGHT OR EQUIVALENT.

FOAM ISOLATION JOINT
SCALE: NOT TO SCALE



1 DISPENSER ISLAND DETAIL
SCALE: 1/2" = 1'-0"

- LEGEND:
- # = PART NUMBER; SEE SHEET F-1
 - # = KEYNOTE; SEE SHEET F-1
 - # = CONDUIT; SEE SHEET FE-1
 - #-# = DETAIL CALLOUT
 - #-# = ELEVATION CALLOUT
 - #-# = SECTION

MURPHY USA

MURPHY OIL U.S.A. INC.
200 EAST PEACH STREET
EL DORADO, ARKANSAS 71730

Galloway

Planning, Architecture, Engineering,
6162 S. Willow Drive, Suite 300
Greenwood Village, CO 80111
303.770.3800
www.gallowayus.com



DISPENSER ISLAND DETAILS

DATE: MARCH, 2018 SCALE: AS NOTED FILE NAME: 12-Mcc80016_F-7 DATE

No. REVISION

508 SC - 72 GREENWOOD SOUTH CAROLINA

F-7

WAYNE

OCTOBER 2017 STANDARDS

