

STANDARD

F-4
WAYNE
OCTOBER 2017
STANDARDS



TANK RISER, OBSERVATION WELL
AND VENTING DETAILS
SCALE: AS NOTED
DATE: MARCH, 2018
FILE NAME: 09-Moc800616_F-4
REVISION
508 SC - 72
GREENWOOD SOUTH CAROLINA

Galloway
Planning, Architecture, Engineering,
6102 S. Wilcox Drive, Suite 330
Greenwood Village, CO 80111
303.770.8500
www.gallowayus.com



MURPHY USA
MURPHY OIL U.S.A. INC.
200 EAST PEACH STREET
EL DORADO, ARKANSAS 71730

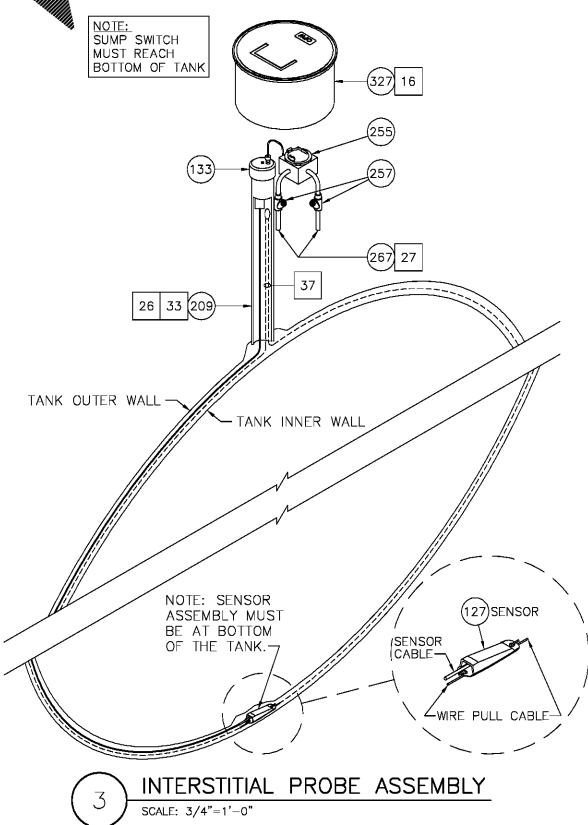
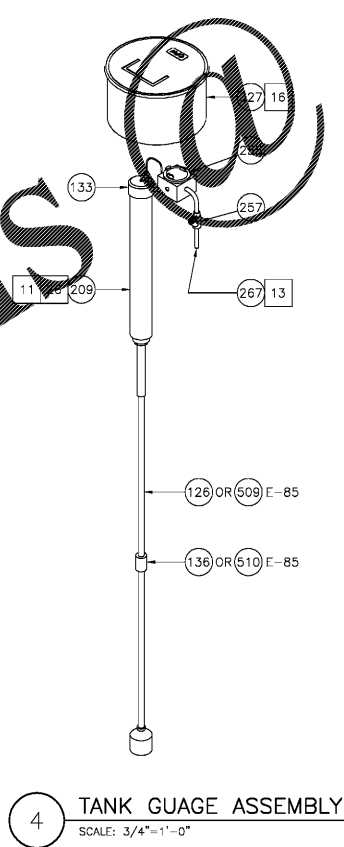
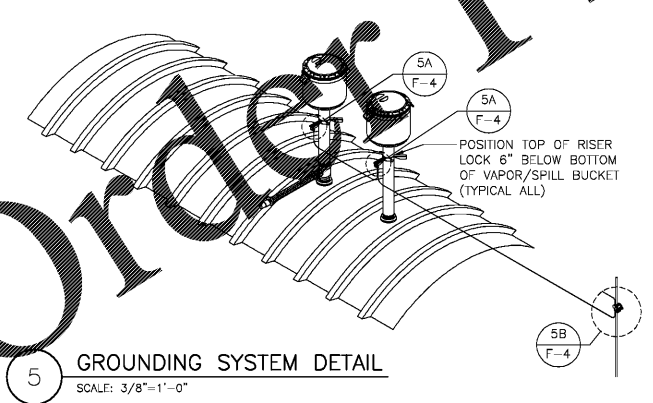
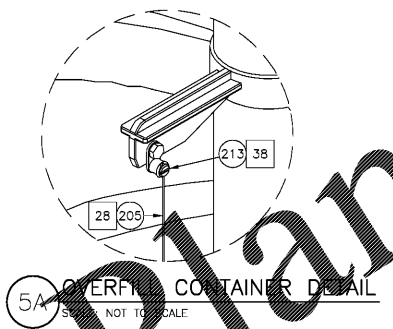
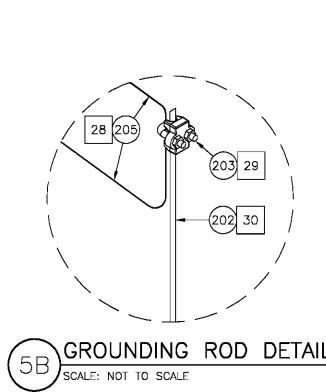
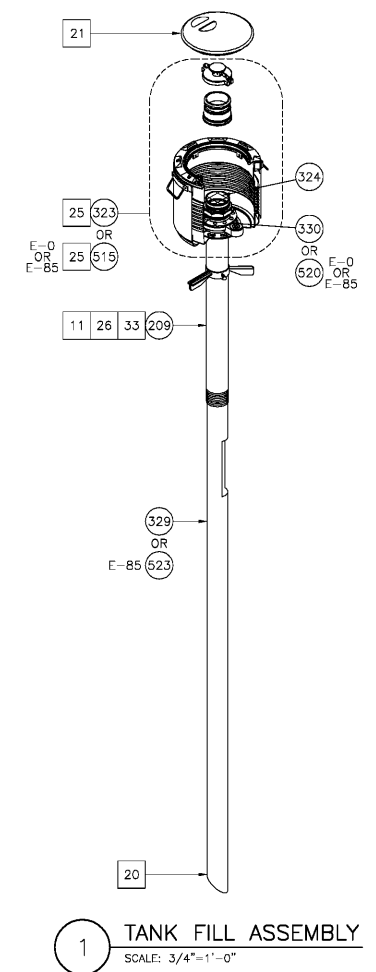
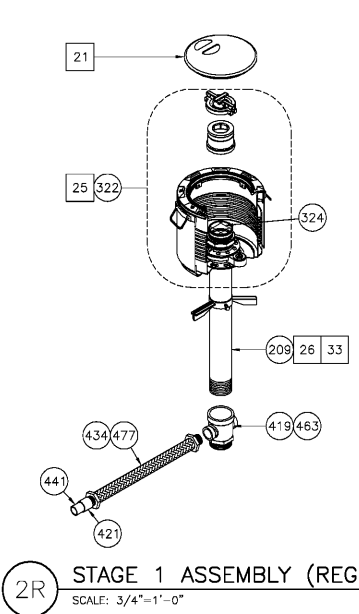
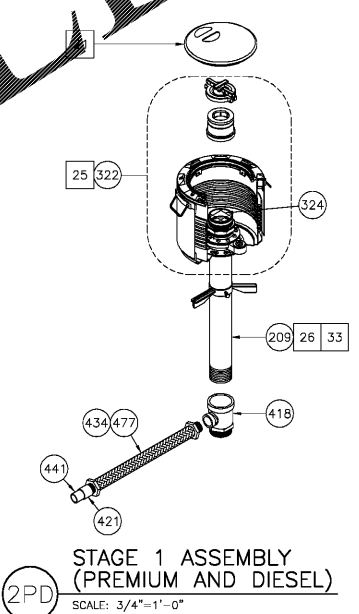
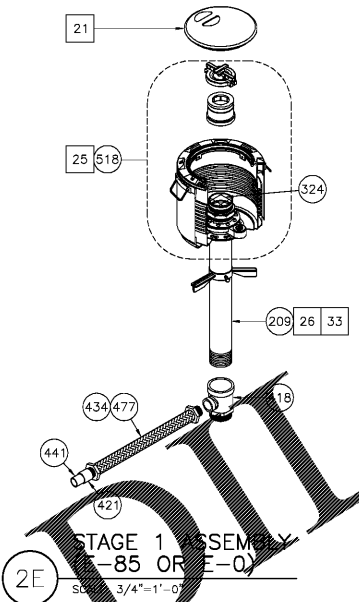
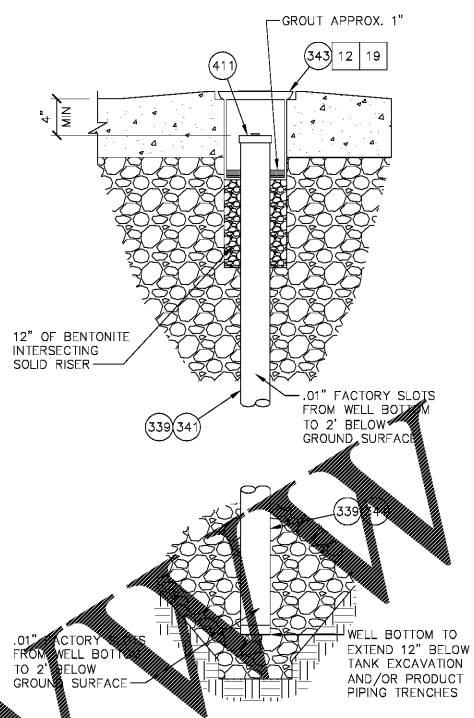
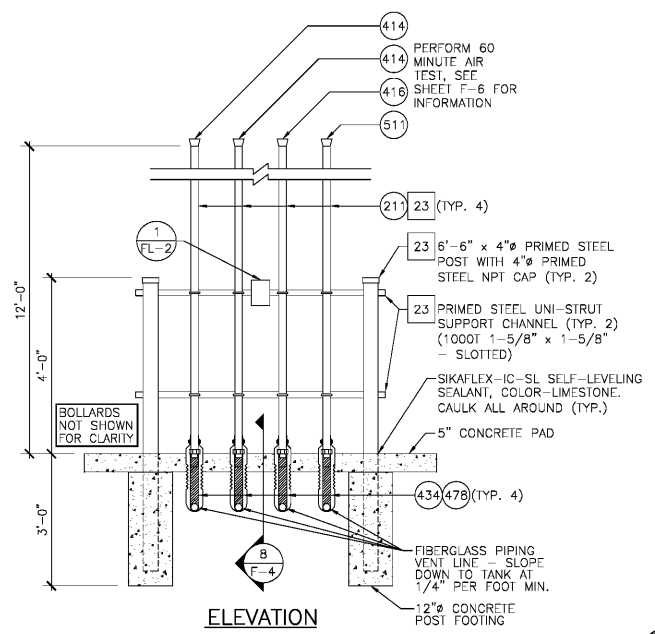
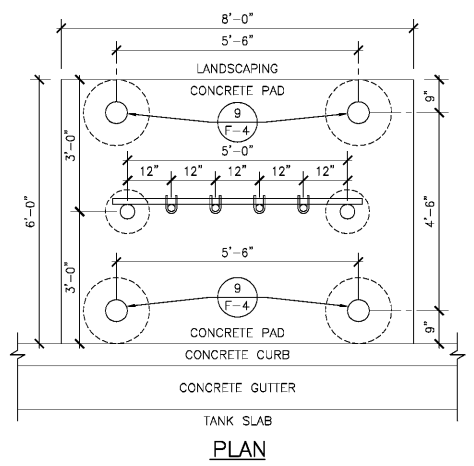
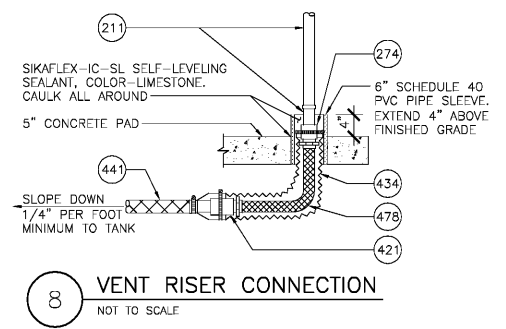
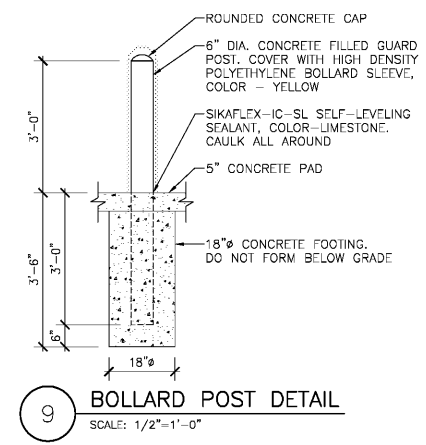
1 inch

LEGEND:

- # = PART NUMBER; SEE SHEET F-1
- # = KEYNOTE; SEE SHEET F-1
- # = CONDUIT; SEE SHEET FE-1
- X-# = DETAIL CALLOUT
- X-# = ELEVATION CALLOUT
- X-# = SECTION CALLOUT

GENERAL NOTES:

1. MANHOLES ARE TO BE INSTALLED CO-LINEAR, LEVEL AND PLUMB WITH UNIFORM SPACING BETWEEN MANHOLE SKIRTS AND APPURTENANCES WHICH ARE TO BE ACCESSED THEREBY.
2. CARE SHOULD BE TAKEN PLACING CONCRETE TO AVOID SPLATTER INTO OR ON THE MANHOLE DUE TO CONCRETE HANDLING DURING PLACEMENT.
3. GAUGE (STRIKER) PLATES ARE LOCATED UNDER ALL OPENINGS PER TANK MANUFACTURER.
4. CAPS AND LIDS USED ON FILL PIPES CAN BE LOCKED OR SEALED PER MANUFACTURER.



Order Plans @

Murphy Oil Tank & Piping Co., Greenwood RAR (1807) - Moc800616_F-4.dwg - 3/20/2018 4:51 PM