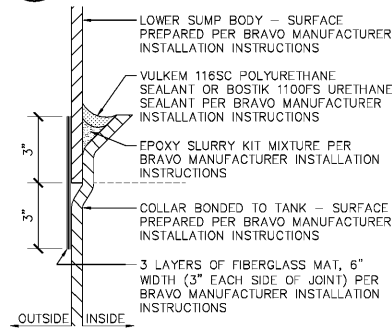
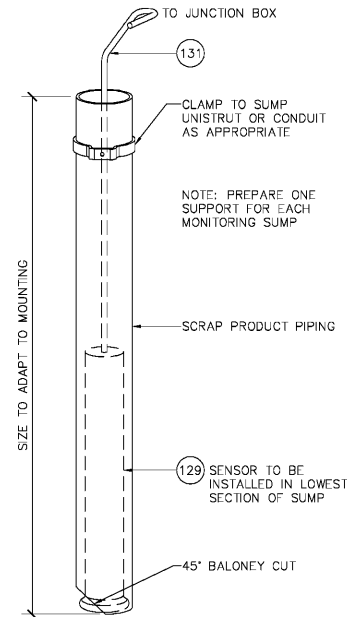


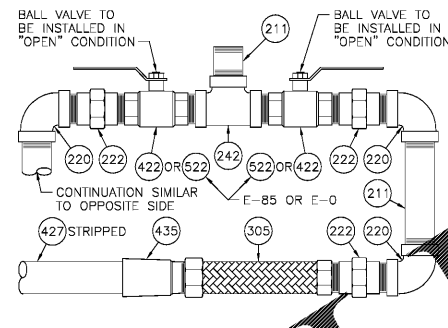
7A STP SUMP - TOP CHANNEL JOINT DETAIL
SCALE: 3"=1'-0"



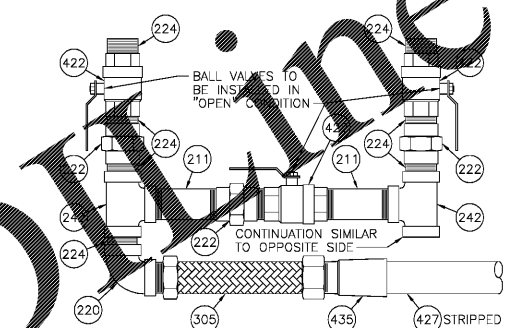
7B STP SUMP - BOTTOM JOINT DETAIL
SCALE: 3"=1'-0"



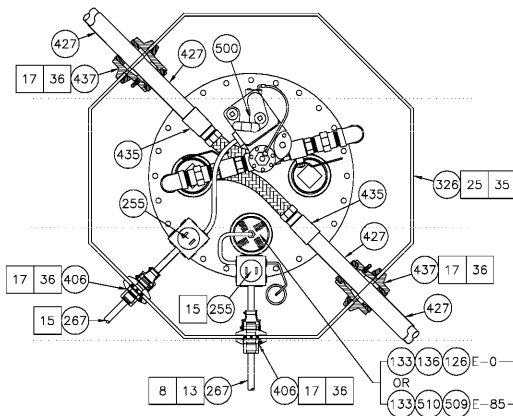
6 SUMP SENSOR SUPPORT
NOT TO SCALE



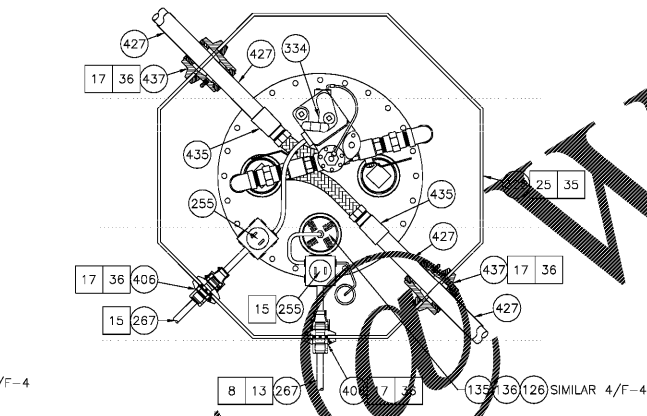
5 DIESEL/PREMIUM/E-85/E-0 PIPING ASSEMBLY
NOT TO SCALE



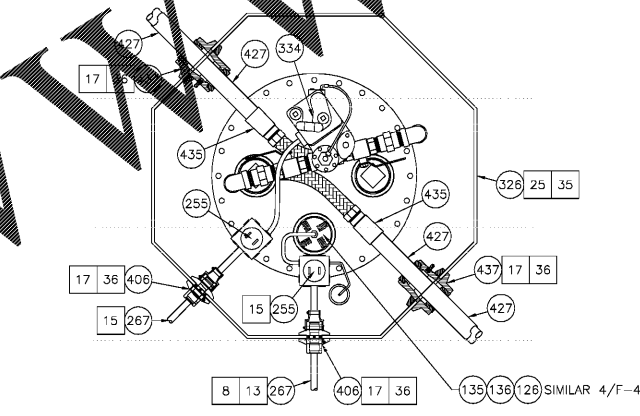
4 REGULAR UNLEADED PIPING ASSEMBLY
NOT TO SCALE



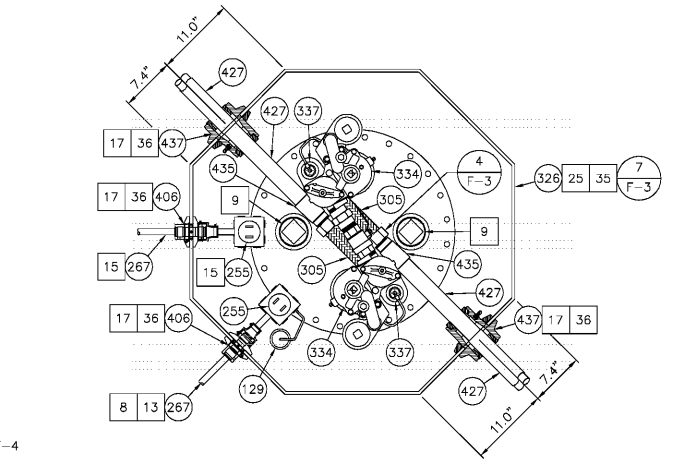
1 E-85 OR E-0 CONTAINMENT SUMP W/MANIFOLD (DUAL DISCHARGE)
NOT TO SCALE



3 DIESEL CONTAINMENT SUMP W/MANIFOLD (DUAL DISCHARGE)
NOT TO SCALE



2 PREMIUM CONTAINMENT SUMP W/MANIFOLD (DUAL DISCHARGE)
NOT TO SCALE



4 REGULAR CONTAINMENT SUMP W/SYPHON AND W/MANIFOLD (DUAL DISCHARGE)
NOT TO SCALE

- LEGEND:**
- ⊘ = PART NUMBER; SEE SHEET F-1
 - # = KEYNOTE; SEE SHEET F-1
 - ⊘/# = CONDUIT; SEE SHEET FE-1
 - ⊘/⊘ = DETAIL CALLOUT
 - ⊘/⊘ = ELEVATION CALLOUT
 - ⊘/⊘ = SECTION CALLOUT

F-3
WAYNE
OCTOBER 2017
STANDARDS

TANK SUMP DETAILS
DATE: MARCH, 2018 FILE NAME: 08-Mac800616_F-3 DATE
No. REVISION

Galloway
Piping, Architecture, Engineering
6102 S. Wilow Drive, Suite 330
Greenwood Village, CO 80111
303.770.8800
www.gallowayus.com



MURPHY USA
MURPHY OIL U.S.A. INC.
200 EAST PEACH STREET
EL DORADO, ARKANSAS 71730