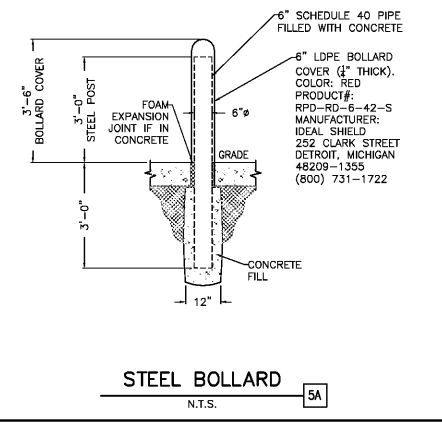
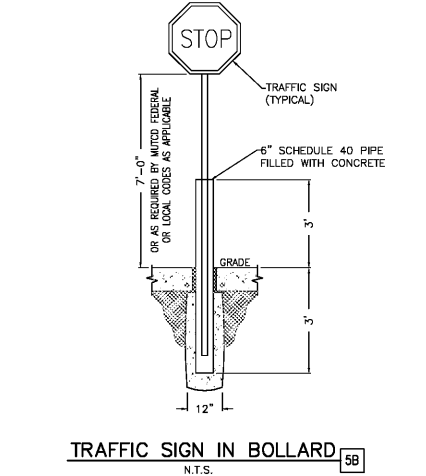


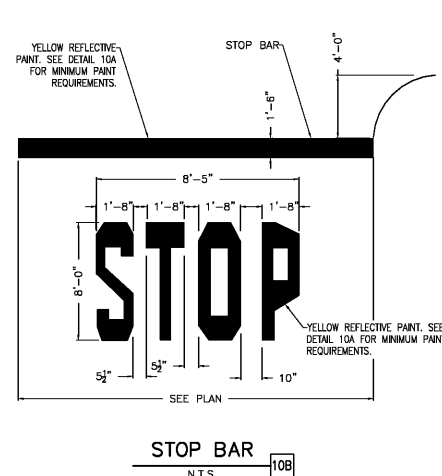
**TYPE "B" CONCRETE CURB AND GUTTER**  
N.T.S. 18



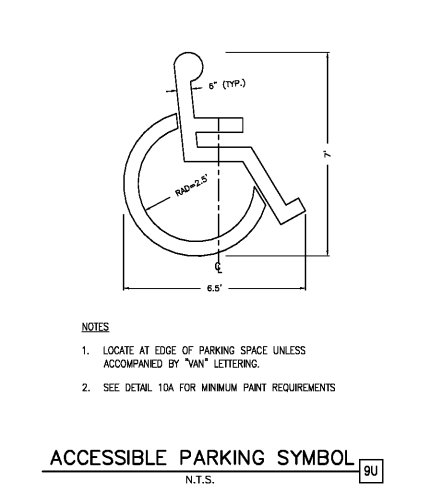
**STEEL BOLLARD**  
N.T.S. 5A



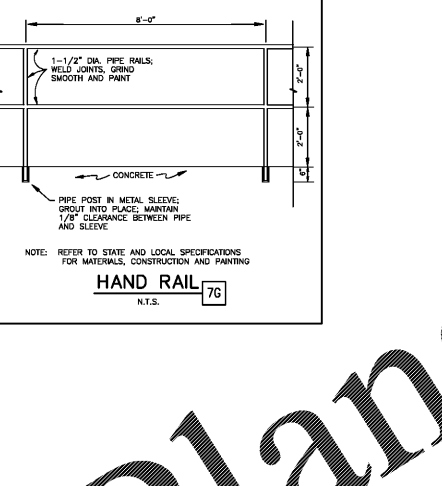
**TRAFFIC SIGN IN BOLLARD**  
N.T.S. 5B



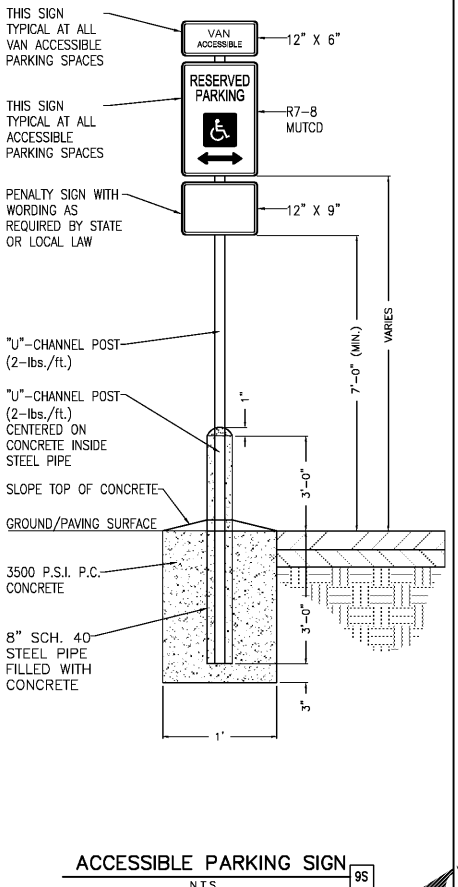
**STOP BAR**  
N.T.S. 10B



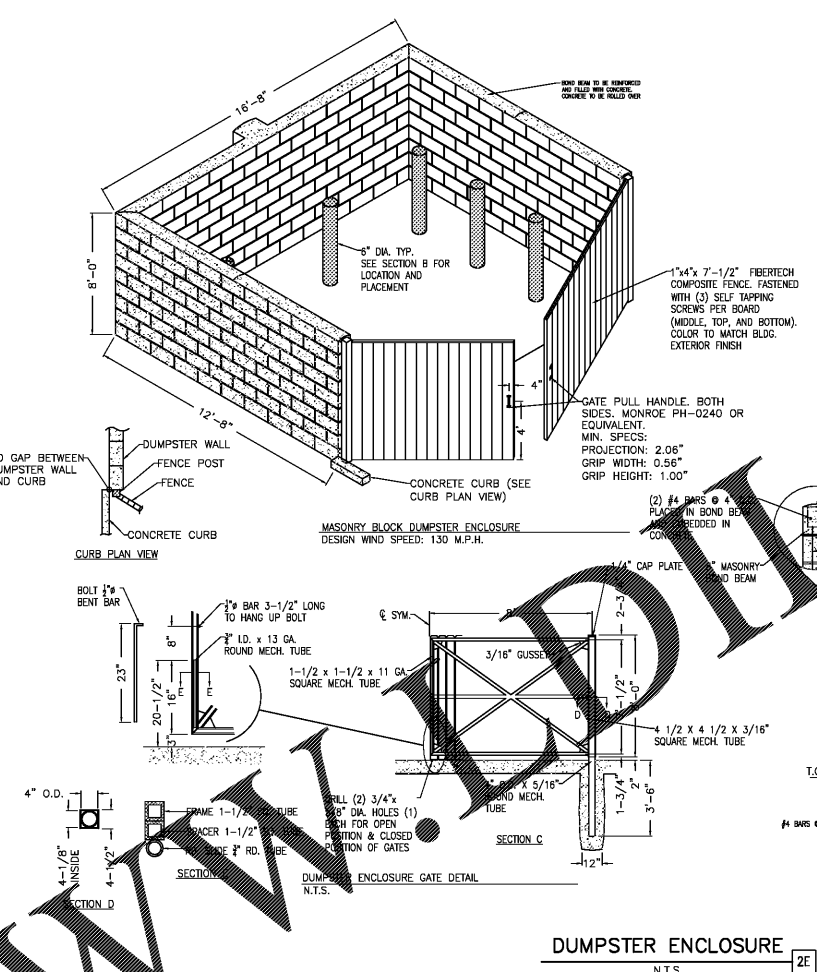
**ACCESSIBLE PARKING SYMBOL**  
N.T.S. 9U



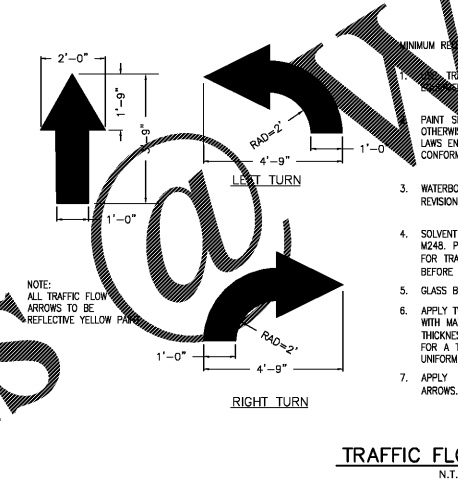
**HAND RAIL**  
N.T.S. 7G



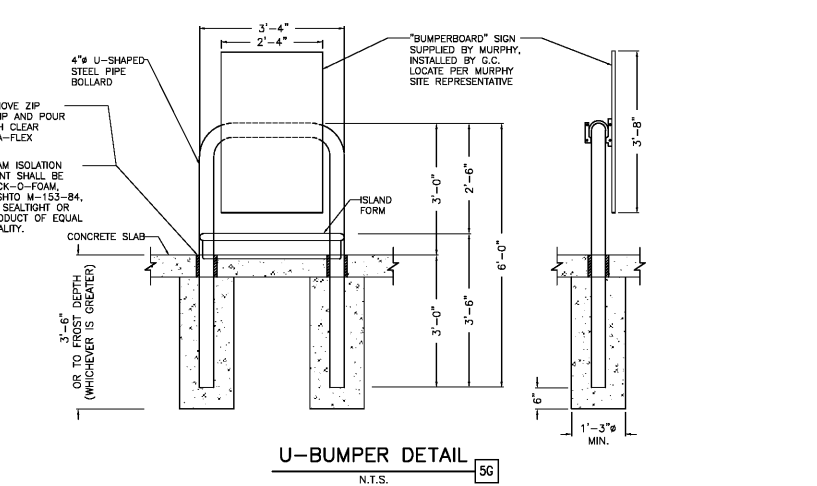
**ACCESSIBLE PARKING SIGN**  
N.T.S. 9S



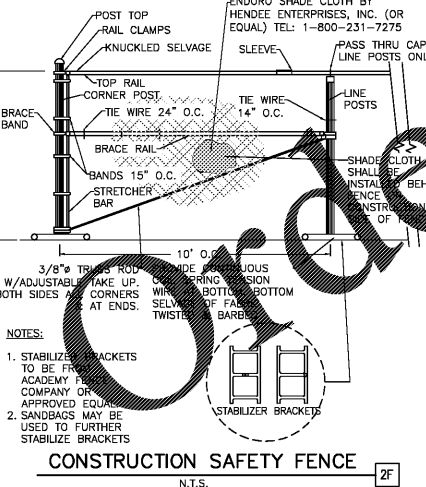
**DUMPSTER ENCLOSURE**  
N.T.S. 2E



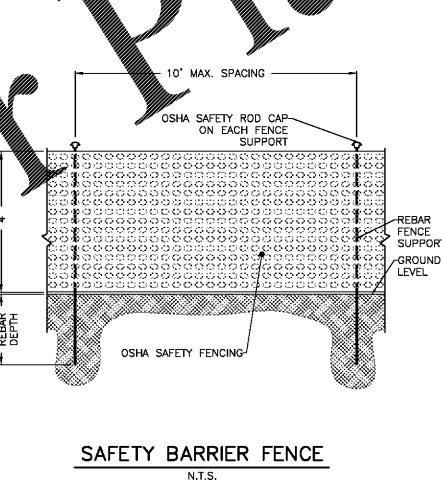
**TRAFFIC FLOW ARROW**  
N.T.S. 10A



**U-BUMPER DETAIL**  
N.T.S. 5G



**CONSTRUCTION SAFETY FENCE**  
N.T.S. 2F



**SAFETY BARRIER FENCE**  
N.T.S.

**MINIMUM REQUIREMENTS:**  
 1. TRAINED AND EXPERIENCED PERSONNEL IN APPLYING THE PRODUCTS AND OPERATING THE EQUIPMENT ARE REQUIRED FOR PROPERLY PERFORMED WORK.  
 2. PAINT SHALL BE WATERBORNE OR SOLVENT BORNE. COLOR SHALL BE REFLECTIVE YELLOW UNLESS OTHERWISE SPECIFIED. PAVEMENT MARKING PAINTS SHALL COMPLY WITH APPLICABLE STATE AND LOCAL LAWS ENACTED TO ENSURE COMPLIANCE WITH FEDERAL CLEAN AIR STANDARDS. PAINT MATERIALS SHALL CONFORM TO THE RESTRICTIONS OF THE LOCAL AIR POLLUTION CONTROL DISTRICT.  
 3. WATERBORNE PAINT: PAINTS SHALL CONFORM TO FEDERAL SPECIFICATION TT-P-1952 (LATEST REVISION) AND ALL APPLICABLE ASTM STANDARDS WITHIN THIS SPECIFICATION.  
 4. SOLVENT BORNE PAINT: PAINT SHALL CONFORM TO FEDERAL SPECIFICATION A-A-2886 OR AASHTO M248. PAINT SHALL BE NON-BLEEDING, QUICK-DRYING, AND ALKYL PETROLEUM BASE PAINT SUITABLE FOR TRAFFIC-BEARING SURFACE AND BE MIXED IN ACCORDANCE WITH MANUFACTURER'S INSTRUCTIONS BEFORE APPLICATION FOR COLOR YELLOW (UNLESS OTHER COLOR IS OTHERWISE SPECIFIED).  
 5. GLASS BEADS: AASHTO M 247, TYPE 1 OR FS TT-B-1325, TYPE 1, GRADATION A.  
 6. APPLY TWO COATS OF PAINT, AT MANUFACTURER'S RECOMMENDED RATE, WITHOUT ADDITION OF THINNER, WITH MAXIMUM OF 100 SQUARE FEET PER GALLON OR AS REQUIRED TO PROVIDE A MINIMUM WET FILM THICKNESS OF 15 MILS AND DRY FILM THICKNESS OF 7 1/2 MILS PER COAT. PAINT SHALL BE APPLIED FOR A TOTAL DRY FILM THICKNESS OF 15 MILS. APPLY WITH MECHANICAL EQUIPMENT TO PRODUCE UNIFORM STRAIGHT EDGES.  
 7. APPLY GLASS BEADS AT PEDESTRIAN CROSSWALK STRIPING AND AT LANE STRIPING AND ARROWS. BROADCAST GLASS BEADS UNIFORMLY INTO WET MARKINGS AT A RATE OF 6 LB./GAL.

**GreenbergFarrow**  
 1430 W. PEACHTREE ST., NW SUITE 200  
 ATLANTA, GA 30309  
 PHONE: (404) 601-8000  
 DWG NAME: GREENWOOD\_SOUTH CAROLINA  
 JOB NO.: 201070840

**MURPHY OIL USA, INC.**  
 200 PEACH STREET  
 P.O. BOX 7000  
 EL DORADO, AR 71730-7000

**DETAIL SHEET**  
**WALMART SUPERCENTER #1382**  
 508 SC -72  
**GREENWOOD SOUTH CAROLINA**

REV-2 DATE 04-27-18 PRN DS MB DES MB DRW SHEET NO. 12