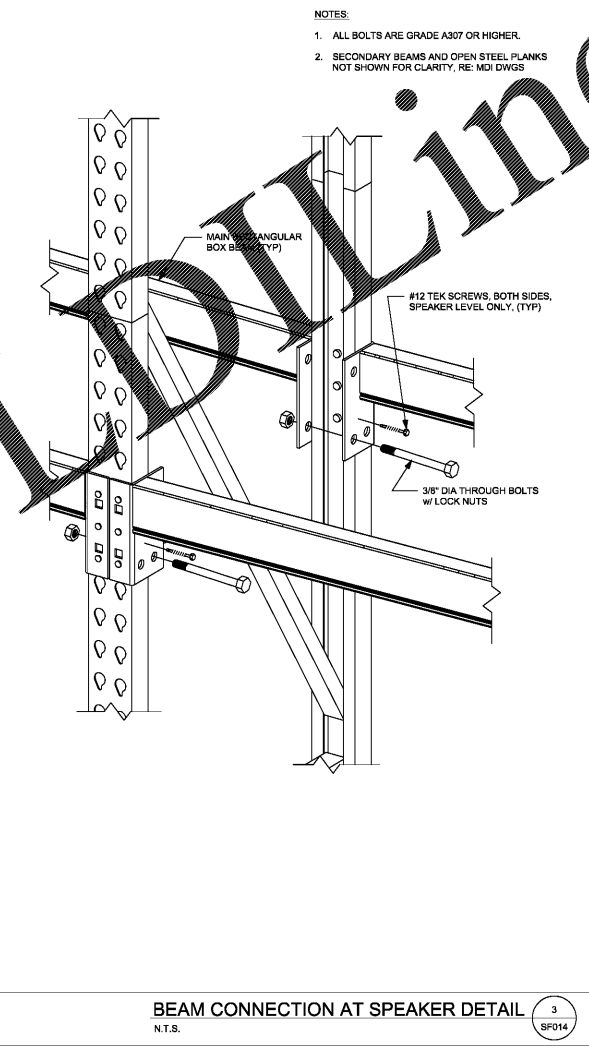
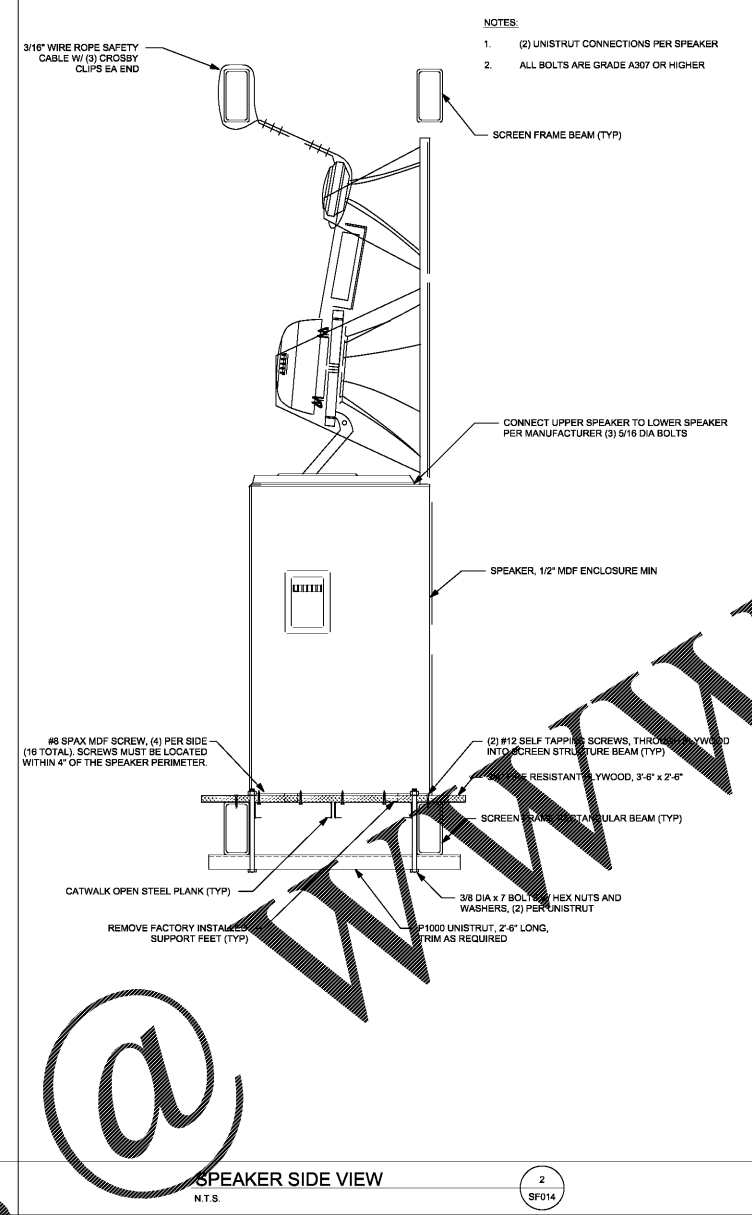
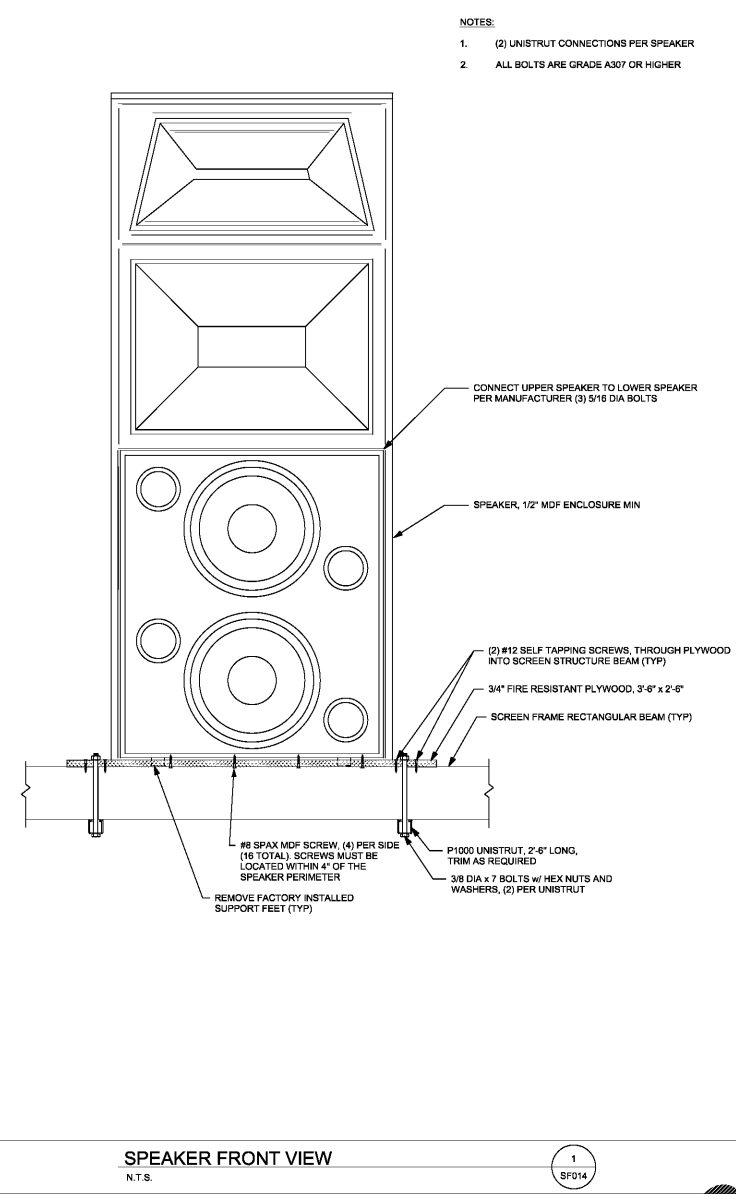


PROJECT: AMC MADISON YARDS  
 ATLANTA, GA  
 ALL AUDITORIUMS

|              |  |
|--------------|--|
| DATE:        |  |
| BY:          |  |
| DESCRIPTION: |  |

DRAWING TITLE:  
**SCREEN SPEAKER MOUNTING DETAILS**

|  |            |
|--|------------|
| DATE:  | 05/10/2018 |
| SCALE:   | NO SCALE   |
| DRAWN BY:  | BWP        |
| APPROVED BY:   | TDA        |
| JOB NO.:   |            |
| SECTION:   |            |
| DRAWING NUMBER:  | SF014      |
| <small>INFORMATION CONTAINED IN THIS DOCUMENT ARE CONFIDENTIAL AND THE EXCLUSIVE PROPERTY OF MDI AND PMA. IT IS FORBIDDEN TO USE OR REPRODUCE IN WHOLE OR IN PART, EXCEPT WITH THE PRIOR WRITTEN CONSENT OF MDI AND PMA.</small> |            |



THE CONNECTION DETAILS ON THIS SHEET ARE APPLICABLE TO THE FOLLOWING SPEAKER MODELS:

QSC SC-323C  
 QSC SC-423C  
 QSC SC-433C

JBL 3732  
 JBL 4732

NOT USED  
 4 SF014

NOT USED  
 5 SF014

SPEAKER MODELS  
 N.T.S.  
 6 SF014

**Order Plans**

**WWW.LDOLine.com**