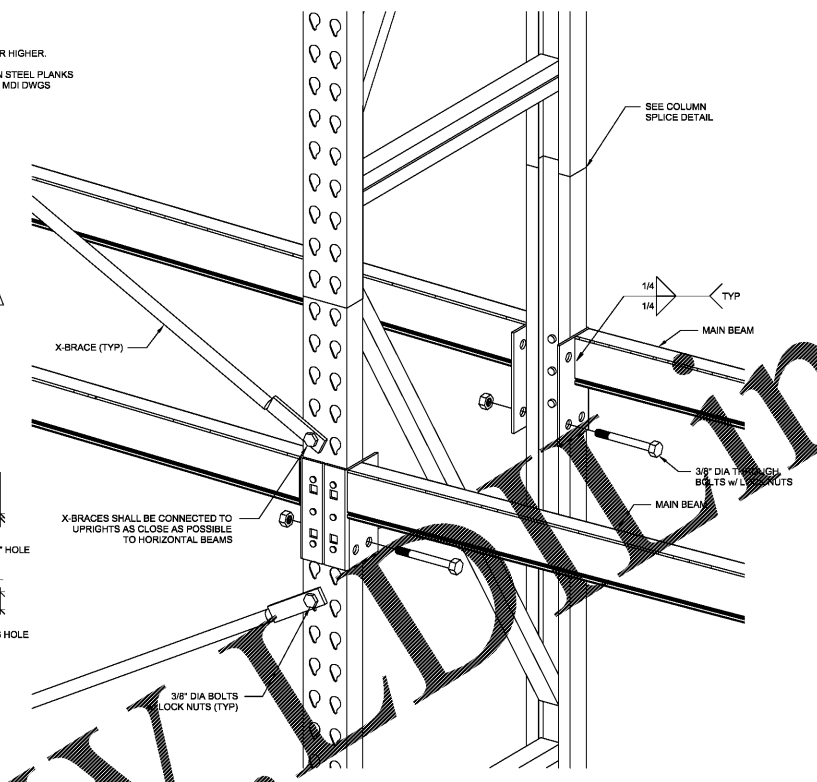
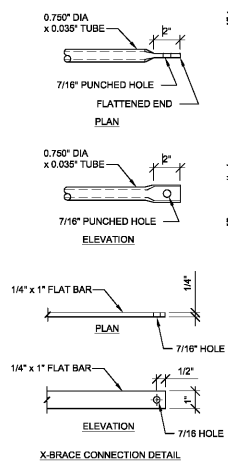
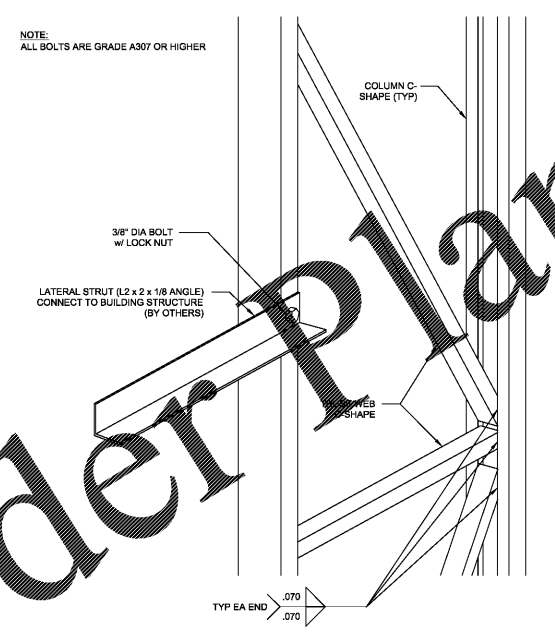


- NOTES:
1. ALL BOLTS ARE GRADE A307 OR HIGHER.
 2. SECONDARY BEAMS AND OPEN STEEL PLANKS NOT SHOWN FOR CLARITY, RE: MDI DWGS

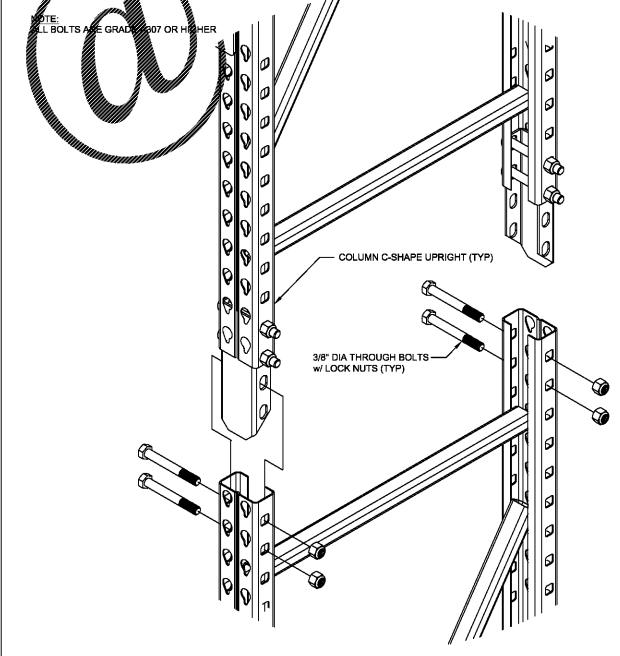


SCREEN FRAME CONNECTION
 N.T.S. 1 SF013

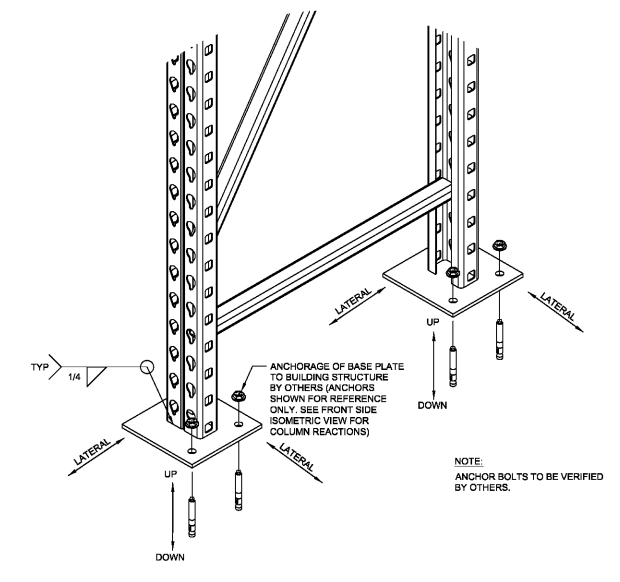
CROSS BRACE CONNECTION
 N.T.S. 2 SF013



REAR HORIZONTAL STRUT TO STRUCTURE
 N.T.S. 3 SF013



COLUMN SPLICE DETAIL
 N.T.S. 4 SF013



BASE PLATE DETAIL
 N.T.S. 5 SF013

**SCREEN STRUCTURE
 TYPICAL DETAILS**

DATE: 05/10/2018
 SCALE: NO SCALE
 (THE ORIGINAL SIZE OF THIS DRAWING IS 36\"/>

DRAWN BY: BWP
 APPROVED BY: TDA

JOB NO: SECTION:

DRAWING NUMBER:
SF013

INFORMATIONS CONTAINED IN THIS DOCUMENT ARE CONFIDENTIAL AND THE EXCLUSIVE PROPERTY OF MDI AND PMA. IT IS FORBIDDEN TO USE OR REPRODUCE IN WHOLE OR IN PART, EXCEPT WITH THE PRIOR WRITTEN CONSENT OF MDI AND PMA.

Order Plans

WWW.LDRAVINE.COM