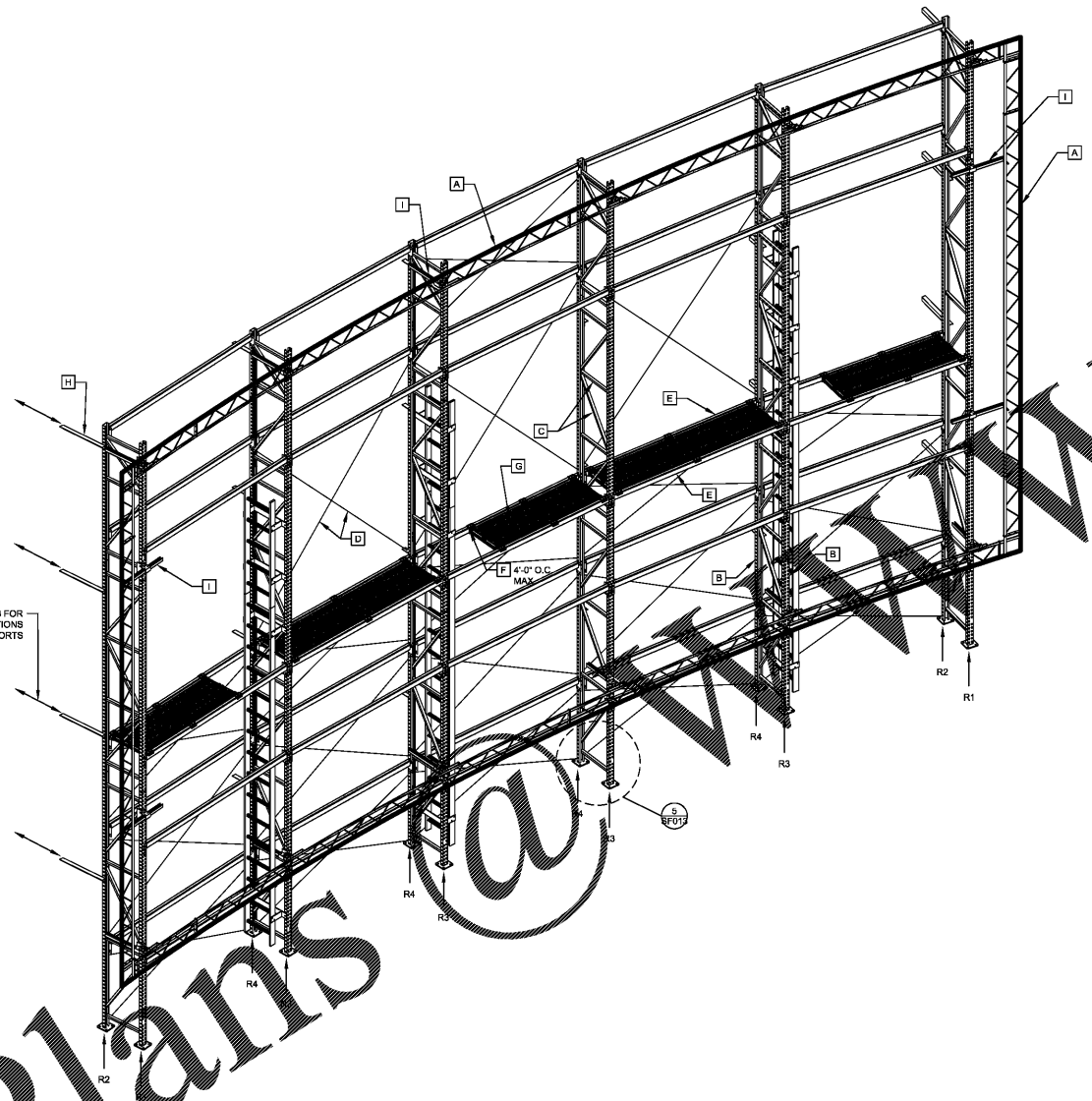




PROJECT: AMC MADISON YARDS
 ATLANTA, GA
 AUDITORIUM #5 & 8



MEMBER LIST:

- A "WRAP-AROUND" SCREEN FRAME BY MDI
- B COLUMN C-SHAPE 3" x 1.14 GAGE (0.075" TO GRADE 50
- C TRUSS MEMBER SHAPED 1.5" x 1.18 GAGE (0.0625" TO GRADE 36
- D ROUND TUBE 2.00" x 20 (0.035") A513 GRADE 1010 TYPE 2
 OR
 X-BRACE FLAT BAR 2" x 0.25" ASTI (ASTM A36) = 36 KSI)
- E MAIN BEAM RECTANGULAR BOX BEAM 3.0 x 1.583" x 14 GAGE
 (0.375" ASTI GRAD
- F SECONDARY BEAM RECTANGULAR TUBE HSS 2.0" x 1.0" x 11 GAGE
 (0.375" ASTI GRADE 1010 TYPE 2 PY = 29 KSI MIN
- G SPEAKER PLANKS CSP 8" x 2" x 18 GAGE (AT SPEAKER PLATFORM
 AND CATWALK LEVELS ONLY)
- H LATERAL STRUT L2 x 2 x 1/8 GRADE A36 8'-0" MAX LENGTH
- I UNISTRUT P1000 w/ CONNECTION BRACKETS 12 GAGE A1011 SS
 GRADE 33

GENERAL STRUCTURAL NOTES FOR SCREEN STRUCTURE:

1. THE INTENT OF THESE STRUCTURAL DRAWINGS IS TO SHOW THE PRIMARY STRUCTURAL COMPONENTS AND MEMBERS OF THE SCREEN SUPPORT STRUCTURE. NON-STRUCTURAL COMPONENTS SUCH AS LADDERS, SAFETY DEVICES, SCREEN MATERIALS, ETC. ARE BY OTHERS.
2. REVIEW OF THE BUILDING STRUCTURE FOR REACTION LOADS SPECIFIED SHALL BE PERFORMED BY OTHERS. REINFORCING OF THE BUILDING STRUCTURE MAY BE REQUIRED AND SHALL BE DETERMINED BY OTHERS.
3. INSTALLER SHALL REFER TO STRONG / MDI SCREEN SYSTEM DRAWINGS AND INSTALLATION INSTRUCTIONS FOR ADDITIONAL INFORMATION, PARTS LIST, AND ERECTION DETAILS.
4. BUILDING CODE: 2012 INTERNATIONAL BUILDING CODE w/ GEORGIA AMENDMENTS
5. DESIGN LOADS:
 - A. DEAD LOADS OF SCREEN SYSTEM:
 - 1 SCREEN FRAME STRUCTURE WEIGHT: 3,781 LBS.
 - 2 SCREEN FABRIC WEIGHT: 130 LBS.
 - 3 WRAP-AROUND FRAME WEIGHT: 402 LBS.
 - 4 SPEAKERS (S) WEIGHT: 1,285 LBS.
 - 5 TOTAL WEIGHT: 5,582 LBS.
 - B. CATWALKS FOR MAINTENANCE ACCESS: 40 PSF
 - C. SEISMIC CRITERIA:
 - 1 OCCUPANCY CATEGORY: III
 - 2 SITE SOIL CLASS: D
 - 3 SHORT PERIOD RESPONSE, S_s: 0.193g
 - 4 1-SECOND PERIOD RESPONSE, S₁: 0.091g
 - 5 DESIGN RESPONSE, S_{D5}: 0.239g
 - 6 DESIGN RESPONSE, S_{D1}: 0.149g
 - 7 SEISMIC DESIGN CATEGORY: C
 - 8 R-FACTOR (SIGNS & BILLBOARDS): 3.0
 - 9 I-FACTOR (PERP TO SCREEN): 1.00
 - 10 I-FACTOR (PARALLEL TO SCREEN): 1.25
6. SPECIAL INSPECTIONS OF THE FOLLOWING ITEMS SHALL BE PERFORMED ON A PERIODIC BASIS IN ACCORDANCE WITH CHAPTER 17 OF THE 2012 INTERNATIONAL BUILDING CODE WITH GEORGIA AMENDMENTS.
 - A. POST-INSTALLED ANCHORS IN CONCRETE
 - B. STEEL MATERIAL VERIFICATION
 - C. STEEL BOLTING IN FIELD
 - D. STEEL FRAMING IN SITU

COLUMN REACTION TABLE (KIPS)				
LOCATION	DEAD LOAD ONLY	DEAD PLUS LIVE LOAD	SEISMIC UPLIFT	SEISMIC LATERAL
R1	0.42	0.58	N/A	±0.01
R2	0.40	0.57	N/A	±0.05
R3	0.47	0.78	N/A	±0.01
R4	0.50	0.87	N/A	±0.08

NOTES:

1. DEAD PLUS LIVE LOAD REACTIONS INCLUDE 40 PSF LIVE LOAD ON ALL CATWALK LEVELS CONCURRENTLY.
2. UP AND LATERAL REACTIONS ARE ASD SEISMIC LOADS WITH A LOAD FACTOR = 0.7E.

DATE	DESCRIPTION	REVISION

DRAWING TITLE:

**SCREEN STRUCTURE
 ISOMETRIC VIEW
 FRONT SIDE**

DATE: 05/10/2018
 SCALE: NO SCALE
 (THE ORIGINAL SIZE OF THIS DRAWING IS 36"x48")
 DRAWN BY: BWP
 APPROVED BY: TDA
 JOB NO.: SECTION:
 DRAWING NUMBER: **SF007**
 INFORMATION CONTAINED IN THIS DOCUMENT ARE CONFIDENTIAL AND THE EXCLUSIVE PROPERTY OF MDI AND PMA. IT IS FORBIDDEN TO USE OR REPRODUCE IN WHOLE OR IN PART, EXCEPT WITH THE PRIOR WRITTEN CONSENT OF MDI AND PMA.

Order Plans