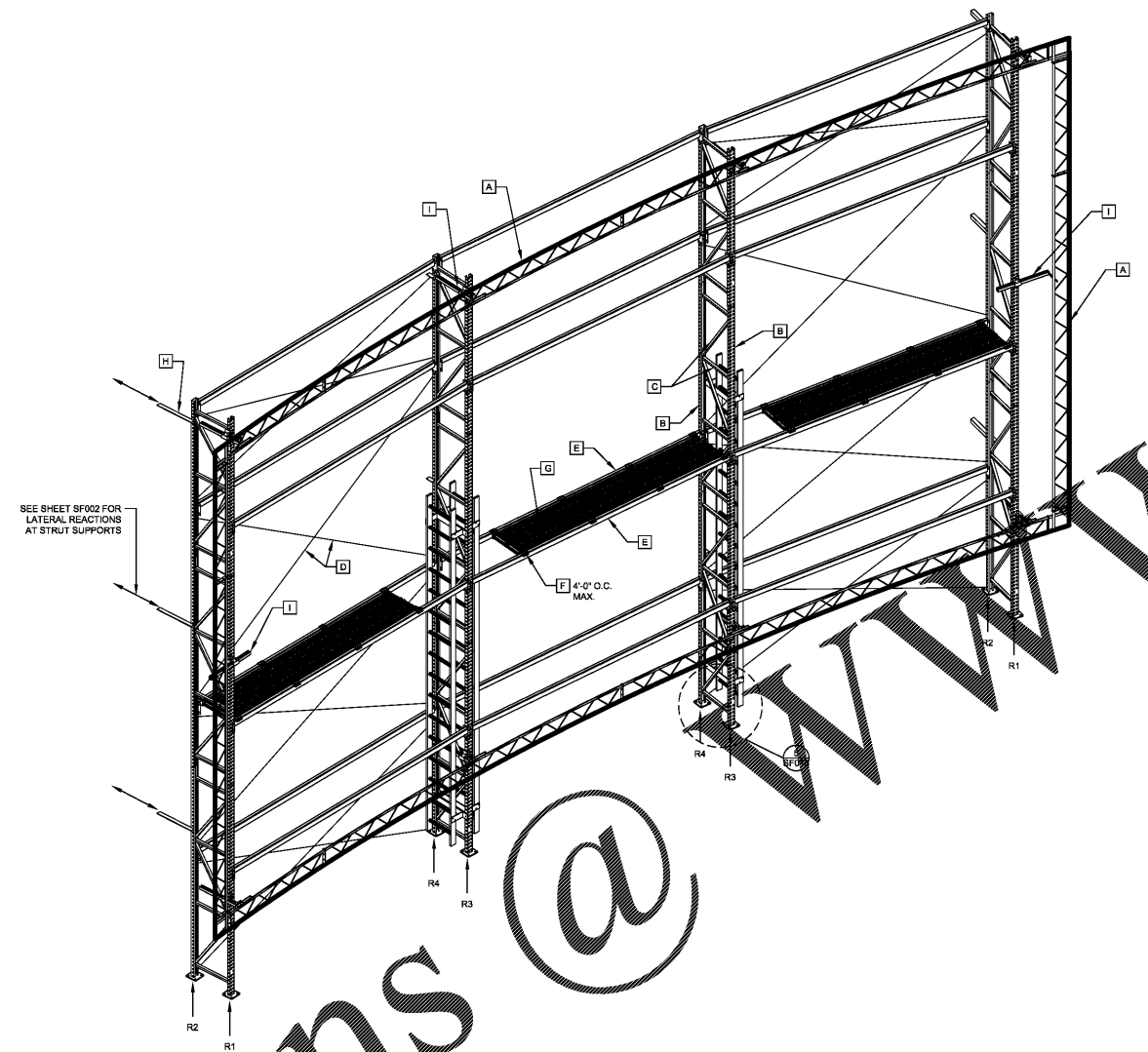




5/21/2018

PROJECT: AMC MADISON YARDS
 ATLANTA, GA
 AUDITORIUM #2 & 3



MEMBER LIST:

A	"WRAP-AROUND" SCREEN FRAME BY MDI
B	COLUMN C-SHAPE 3" x 1.625" x 1/4" THK (0.070") A575 GRADE 50
C	TRUSS MEMBER 2" x 1.0" x 1/4" THK (0.060") A575 GRADE 50
D	ROUND TUBE HSS 2.0" x 1.0" x 11 GAGE (0.120") A513 GRADE 50 TYPE 2 (F _y = 20 KSI MIN)
E	SPACE PLAT BAR 1.0" x 1/4" THK (0.060") ASTM A36 (F _y = 36 KSI)
F	MAIN BEAM RECTANGULAR TUBE BEAM 3.6" x 1.563" x 14 GAGE (0.120") A513 GRADE 50
G	SECONDARY BEAM RECTANGULAR TUBE HSS 2.0" x 1.0" x 11 GAGE (0.120") A513 GRADE 50 TYPE 2 F _y = 20 KSI MIN
H	OPEN STEEL JOISTS CSP 8" x 2" x 18 GAGE (AT SPEAKER PLATFORM AND CATWALK LEVELS ONLY)
I	LATERAL STRUT L2 x 2 x 1/8 GRADE A36 5'-0" MAX LENGTH
J	CONNECTION BRACKET P1000 w/ CONNECTION BRACKETS 12 GAGE A1011 SS GRADE 50

GENERAL STRUCTURAL NOTES FOR SCREEN STRUCTURE:

- THE INTENT OF THESE STRUCTURAL DRAWINGS IS TO SHOW THE PRIMARY STRUCTURAL COMPONENTS AND MEMBERS OF THE SCREEN SUPPORT STRUCTURE. NON-STRUCTURAL COMPONENTS SUCH AS LADDERS, SAFETY DEVICES, SCREEN MATERIALS, ETC. ARE BY OTHERS.
- REVIEW OF THE BUILDING STRUCTURE FOR REACTION LOADS SPECIFIED SHALL BE PERFORMED BY OTHERS. REINFORCING OF THE BUILDING STRUCTURE MAY BE REQUIRED AND SHALL BE DETERMINED BY OTHERS.
- INSTALLER SHALL REFER TO STRONG / MDI SCREEN SYSTEM DRAWINGS AND INSTALLATION INSTRUCTIONS FOR ADDITIONAL INFORMATION, PARTS LIST, AND ERECTION DETAILS.
- BUILDING CODE: 2012 INTERNATIONAL BUILDING CODE w/ GEORGIA AMENDMENTS
- DESIGN LOADS:
 - A. DEAD LOADS OF SCREEN SYSTEM:
 - 1 SCREEN FRAME STRUCTURE WEIGHT: 2,566 LBS.
 - 2 SCREEN FABRIC WEIGHT: 119 LBS.
 - 3 WRAP-AROUND FRAME WEIGHT: 369 LBS.
 - 4 SPEAKERS (3) WEIGHT: 771 LBS.
 - 5 TOTAL WEIGHT: 3,845 LBS.
 - B. CATWALKS FOR MAINTENANCE ACCESS: 40 PSF
 - C. SEISMIC CRITERIA:
 - 1 OCCUPANCY CATEGORY: III
 - 2 SITE SOIL CLASS: D
 - 3 SHORT PERIOD RESPONSE, S_s: 0.193g
 - 4 1-SECOND PERIOD RESPONSE, S₁: 0.091g
 - 5 DESIGN RESPONSE, S_{D5}: 0.230g
 - 6 DESIGN RESPONSE, S_{D1}: 0.140g
 - 7 SEISMIC DESIGN CATEGORY: C
 - 8 R-FACTOR (SIGNS & BILLBOARDS): 3.0
 - 9 I-FACTOR (PERP TO SCREEN): 1.00
 - 10 I-FACTOR (PARALLEL TO SCREEN): 1.25
- SPECIAL INSPECTIONS OF THE FOLLOWING ITEMS SHALL BE PERFORMED ON A PERIODIC BASIS IN ACCORDANCE WITH CHAPTER 17 OF THE 2012 INTERNATIONAL BUILDING CODE WITH GEORGIA AMENDMENTS.
 - A. POST-INSTALLED ANCHORS IN CONCRETE
 - B. STEEL MATERIAL VERIFICATION
 - C. STEEL BOLTING IN FIELD
 - D. STEEL FRAMING IN SITU

COLUMN REACTION TABLE (KIPS)

LOCATION	DEAD LOAD ONLY	DEAD PLUS LIVE LOAD	SEISMIC UPLIFT	SEISMIC LATERAL
R1	0.45	0.72	N/A	+0.02
R2	0.41	0.63	N/A	+0.10
R3	0.52	0.93	N/A	+0.01
R4	0.52	0.96	N/A	+0.10

- NOTES:**
- DEAD PLUS LIVE LOAD REACTIONS INCLUDE 40 PSF LIVE LOAD ON ALL CATWALK LEVELS CONCURRENTLY.
 - UP AND LATERAL REACTIONS ARE ALSO SEISMIC LOADS WITH A LOAD FACTOR = 0.7E.

SHEET INDEX

SF001	FRONT SIDE ISOMETRIC VIEW - AUDITORIUM 2, & 3
SF002	BACK SIDE ISOMETRIC VIEW - AUDITORIUM 2, & 3
SF003	PLAN & ELEVATION - AUDITORIUM 2, & 3
SF004	FRONT SIDE ISOMETRIC VIEW - AUDITORIUM 4
SF005	BACK SIDE ISOMETRIC VIEW - AUDITORIUM 4
SF006	PLAN & ELEVATION - AUDITORIUM 4
SF007	FRONT SIDE ISOMETRIC VIEW - AUDITORIUM 5 & 8
SF008	BACK SIDE ISOMETRIC VIEW - AUDITORIUM 5 & 8
SF009	PLAN & ELEVATION - AUDITORIUM 5 & 8
SF010	FRONT SIDE ISOMETRIC VIEW - AUDITORIUM 6 & 7
SF011	BACK SIDE ISOMETRIC VIEW - AUDITORIUM 6 & 7
SF012	PLAN & ELEVATION - AUDITORIUM 6 & 7
SF013	TYPICAL DETAILS
SF014	SCREEN SPEAKER MOUNTING DETAILS

REV	DATE	DESCRIPTION

DRAWING TITLE:

**SCREEN STRUCTURE
 ISOMETRIC VIEW
 FRONT SIDE**

DATE: 05/10/2018

SCALE: NO SCALE
(THIS ORIGINAL SIZE OF THIS DRAWING IS 36" x 48")

DRAWN BY: BWP

APPROVED BY: TDA

JOB NO: SECTION:

DRAWING NUMBER: SF001

INFORMATIONS CONTAINED IN THIS DOCUMENT ARE CONFIDENTIAL AND THE EXCLUSIVE PROPERTY OF MDI AND PMA. IT IS FORBIDDEN TO USE OR REPRODUCE IN WHOLE OR IN PART, EXCEPT WITH THE PRIOR WRITTEN CONSENT OF MDI AND PMA.

Order Plans