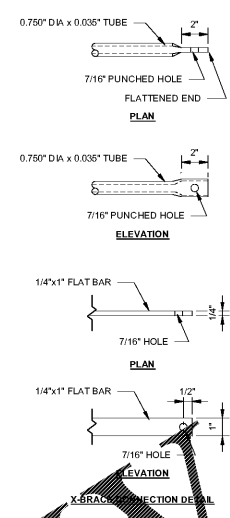
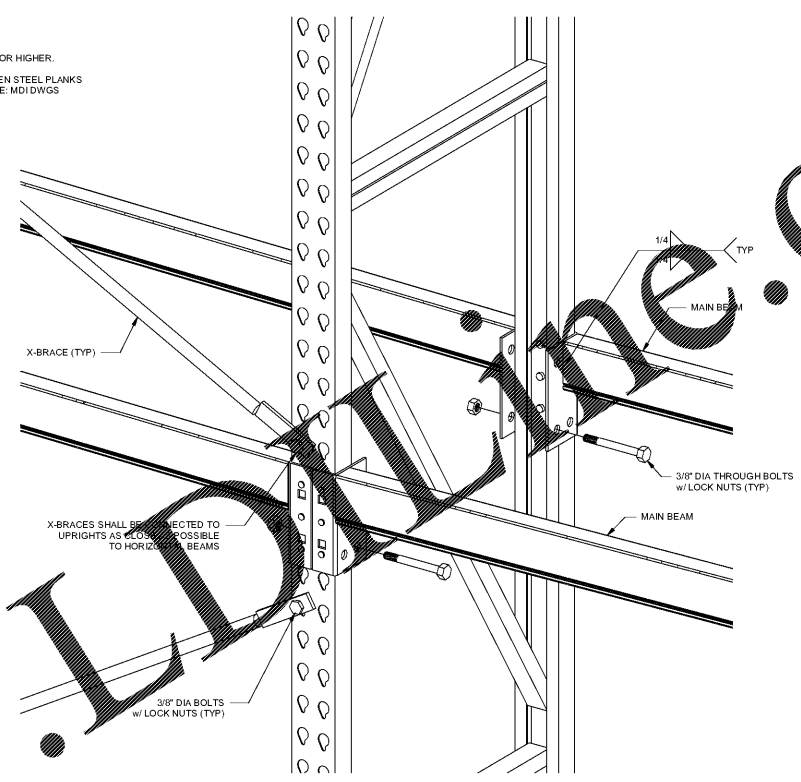


1 SCREEN FRAME CONNECTION  
PLFS4.4 N.T.S.

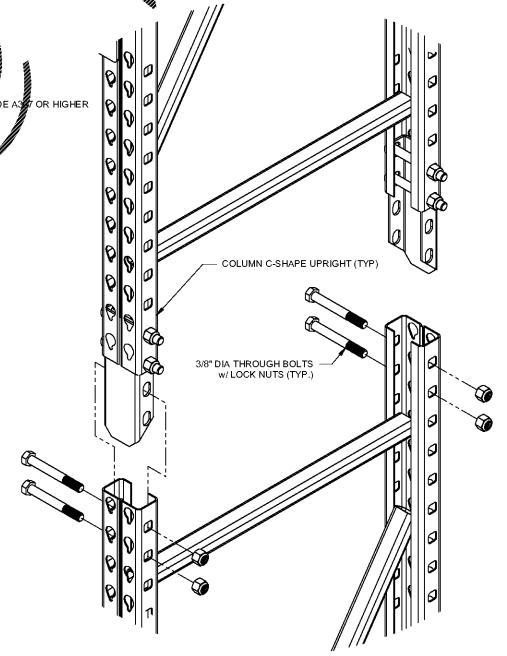
- NOTES:
- ALL BOLTS ARE GRADE A307 OR HIGHER.
  - SECONDARY BEAMS AND OPEN STEEL PLANKS NOT SHOWN FOR CLARITY, RE: MDI DWGS



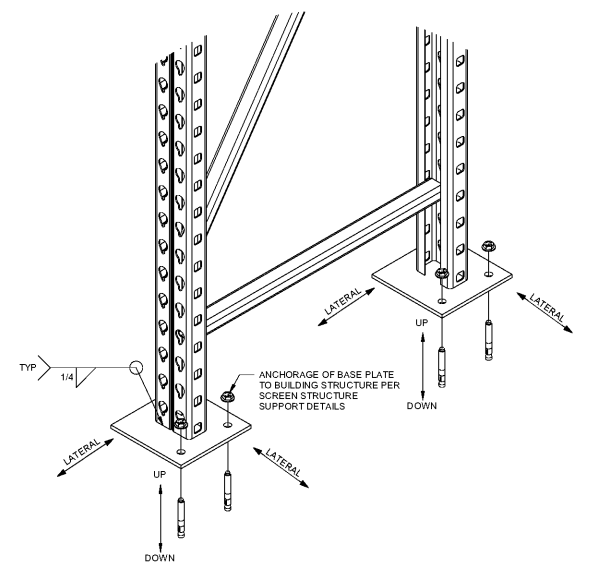
2 CROSS BRACE CONNECTION  
PLFS4.4 N.T.S.



3 REAR HORIZONTAL STRUT TO STRUCTURE  
PLFS4.4 N.T.S.



4 COLUMN SPLICE DETAIL  
PLFS4.4 N.T.S.



5 COLUMN BASE DETAIL  
PLFS4.4 N.T.S.

PMA Engineering, Inc.  
 4772 SHAWNEE MILL RD  
 ROSWELL, GA 30076  
 WWW.PMAENGINEERING.COM  
 (770) 585-1111  
 (770) 585-1112  
 (770) 585-1113

SHEET LEGEND

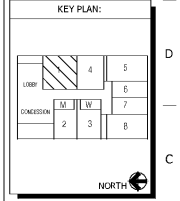
SYMBOL	DESCRIPTION
---	GENERAL INFORMATION & NOTES
---	REVISIONS
---	ASSEMBLY
---	DETAILS
---	CONNECTIONS
---	ANCHORS
---	BASE PLATES
---	BRACES
---	CLIPS
---	CONNECTORS
---	FASTENERS
---	FRAMES
---	MEMBERS
---	PLATES
---	ROOFING
---	TRUSS
---	WALLS
---	WINDOWS
---	ZONING

**AMC MADISON YARDS 8**  
 AMC NEW BUILD  
 905 MEMORIAL DRIVE SE  
 ATLANTA, GA 30316

American Multi-Chema, Inc.  
 One AMC Way  
 11500 Ash Street  
 Leawood, KS 66211

REV	DATE	DESCRIPTION

ORIGINAL ISSUE DATE: 01/17/2018



SHEET TITLE:  
SCREEN STRUCTURE ISOMETRIC DETAILS

SHEET NUMBER:  
**PLFS4.4**

Order Plans @ WWW.LDPlans.com