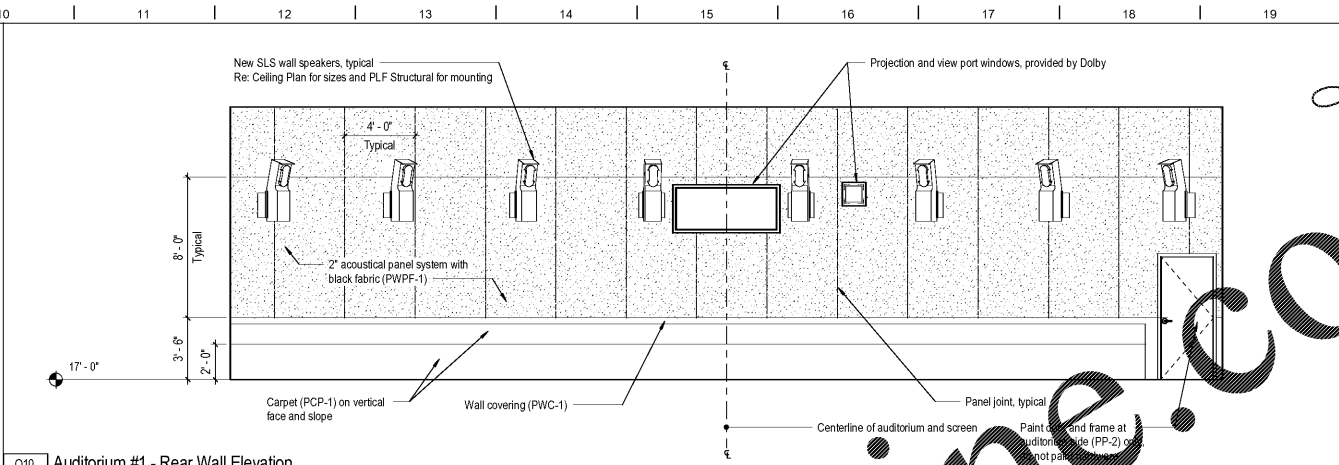
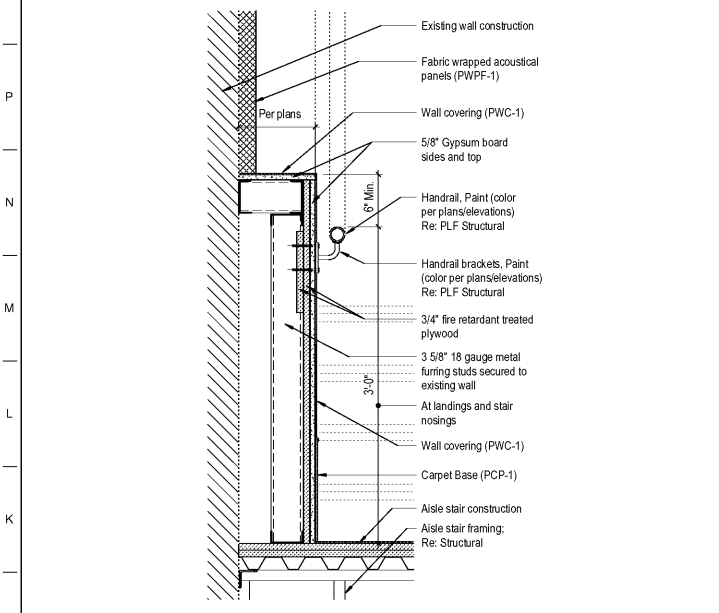


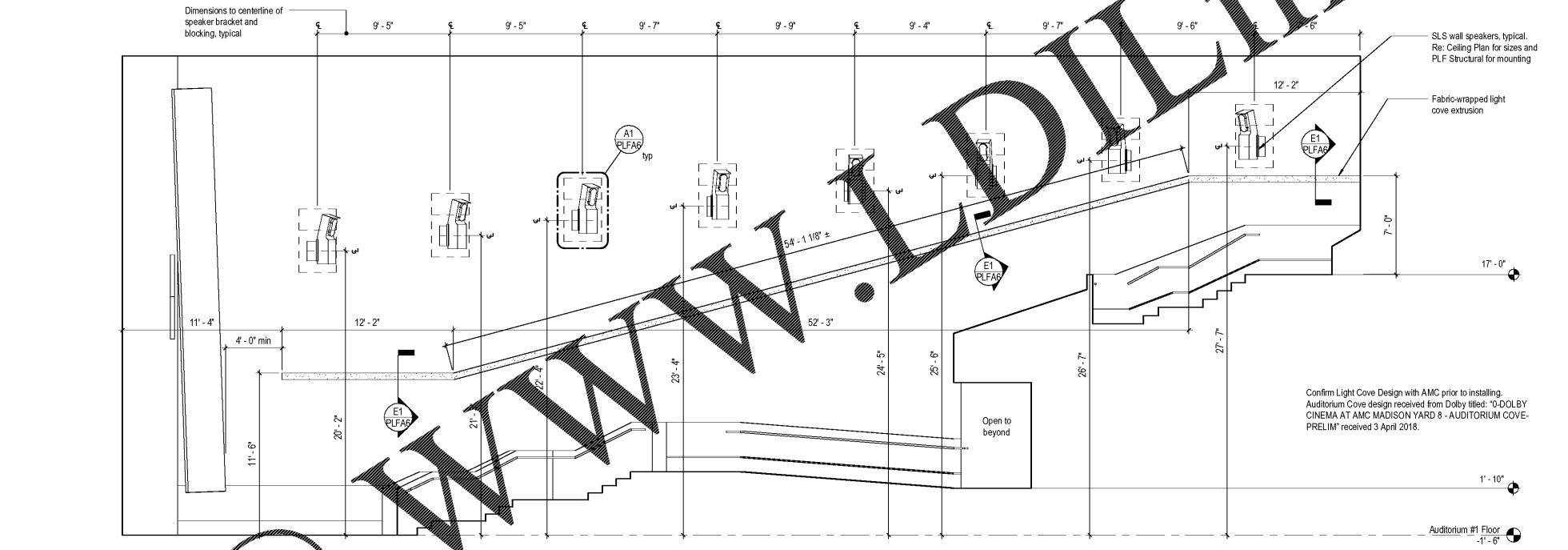
Q1 Auditorium #1 - Rear Wall Speaker Blocking
 PA1 1/4" = 1'-0"



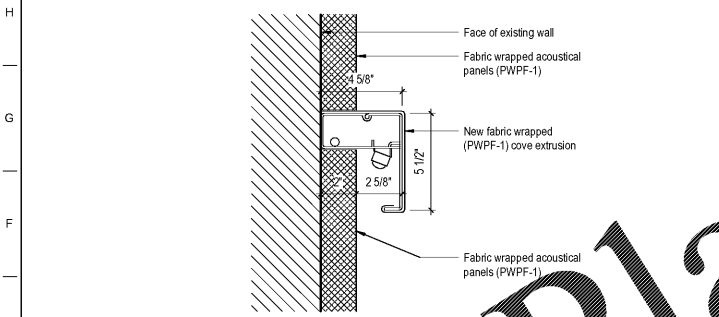
Q10 Auditorium #1 - Rear Wall Elevation
 PA1 1/4" = 1'-0"



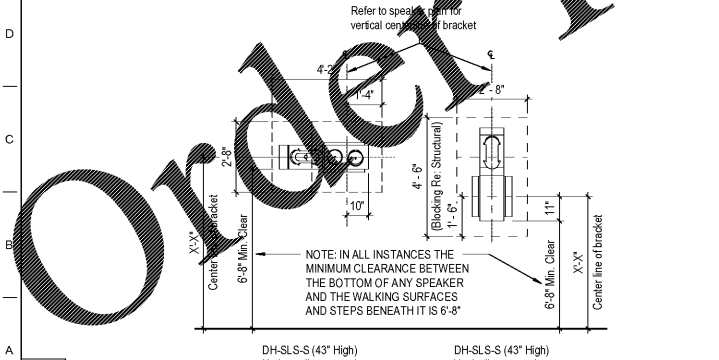
J1 Handrail at Offset Wall Detail
 PLFA4 1 1/2" = 1'-0"



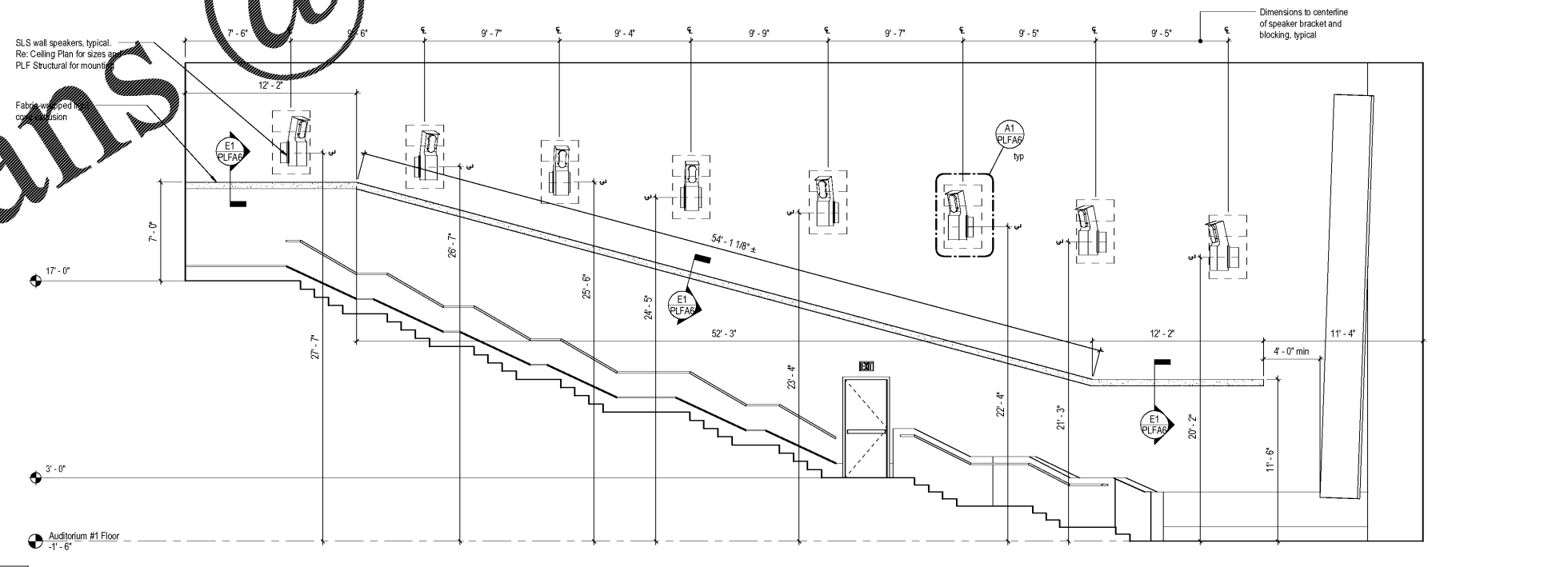
H6 Auditorium #1 - Speaker Blocking Cove Lighting
 PA1 1/4" = 1'-0"



E1 Auditorium Light Cove
 PLFA6 3" = 1'-0"



A1 Speaker Blocking
 PLFA6 Not to Scale



A6 Auditorium #1 - Speaker Blocking / Cove Lighting
 PA1 1/4" = 1'-0"

STATE OF GEORGIA
 J. Mark Triplett
 ARCHITECT
 PROJECT NO. 18-0000
 SHEET NO. PLFA6
 DATE: 05/22/2018

SHEET LEGEND

GENERAL NOTATIONS & SCOPE OF WORK
 FLOOR PLANS & CEILING PLANS
 EXTERIOR & INTERIOR ELEVATIONS
 BUILDING SECTIONS
 BUILDING DETAILS
 EXTERIOR & INTERIOR DETAILS
 FLOOR SCHEDULES / FLOOR FINISHES
 FLOOR SCHEDULES / FLOOR FINISHES
 AUDITORIUM SEATING LINE SECTIONS

SYMBOLS:
 S STRUCTURAL
 M MECHANICAL
 P PLUMBING
 E ELECTRICAL
 W WATERSIDE DETAILS
 EQ EQUIPMENT & FURNITURE
 PLF AUDITORIUM

AMC MADISON YARDS 8

AMC NEW BUILD
 905 MEMORIAL DR SE
 ATLANTA, GA 30316

amc

American Multi-Cinema, Inc.
 One AMC Way
 11500 Ash Street
 Lenexa, KS 66211

Project Issue Date: 05/22/2018

KEY PLAN:

1	2	3	4	5
6	7	8	9	10

SHEET TITLE:
 Auditorium #1
 Speaker
 Blocking &
 Cove Lighting

SHEET NUMBER:
 PLFA6

WWW.DIline.com
 Order Plans @