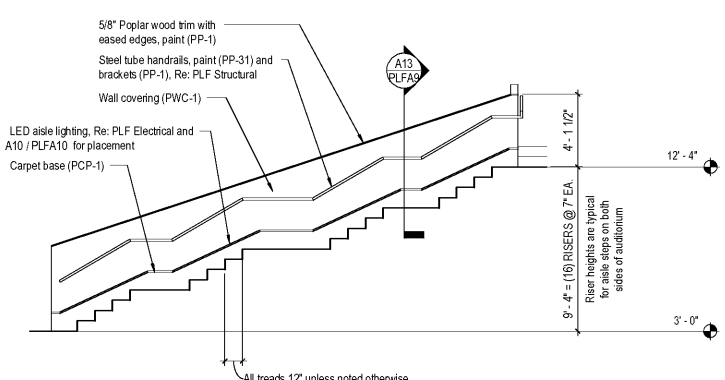
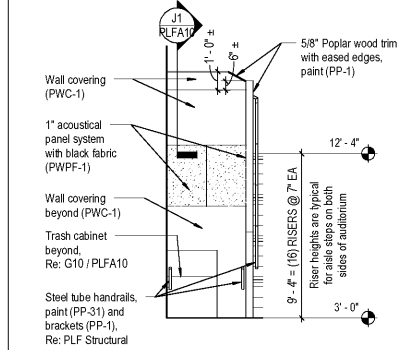


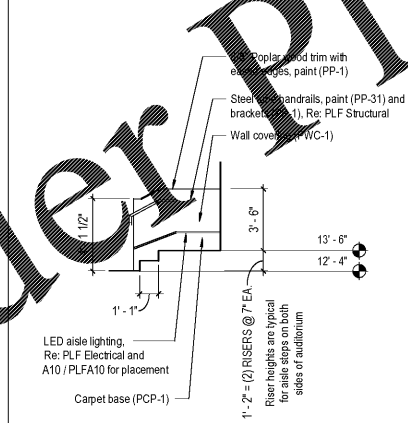
P3 Auditorium #1 - Vomitory Elevation
PA1 1/4" = 1'-0"



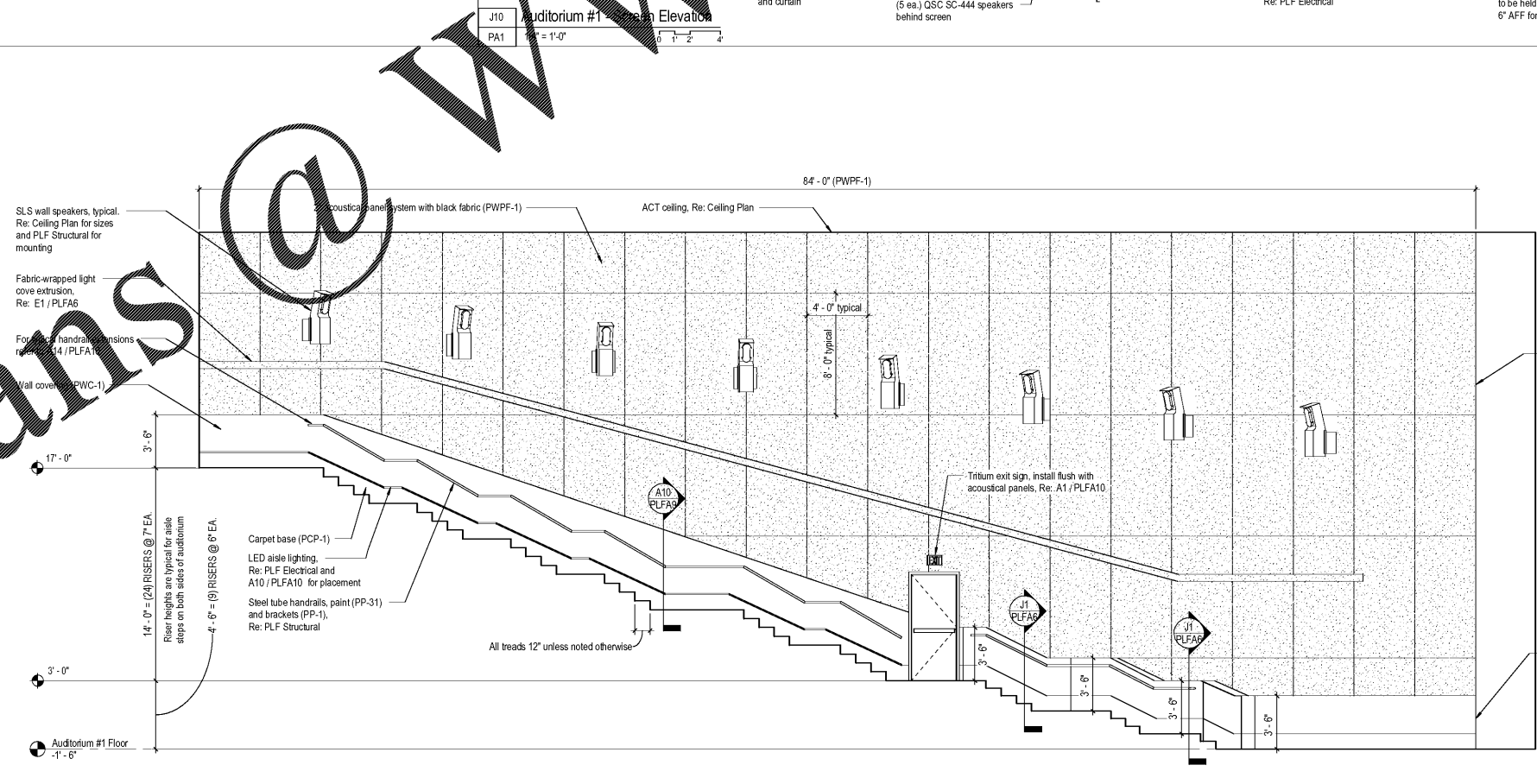
K3 Auditorium #1 - Vomitory Wall Elevation
PA1 1/4" = 1'-0"



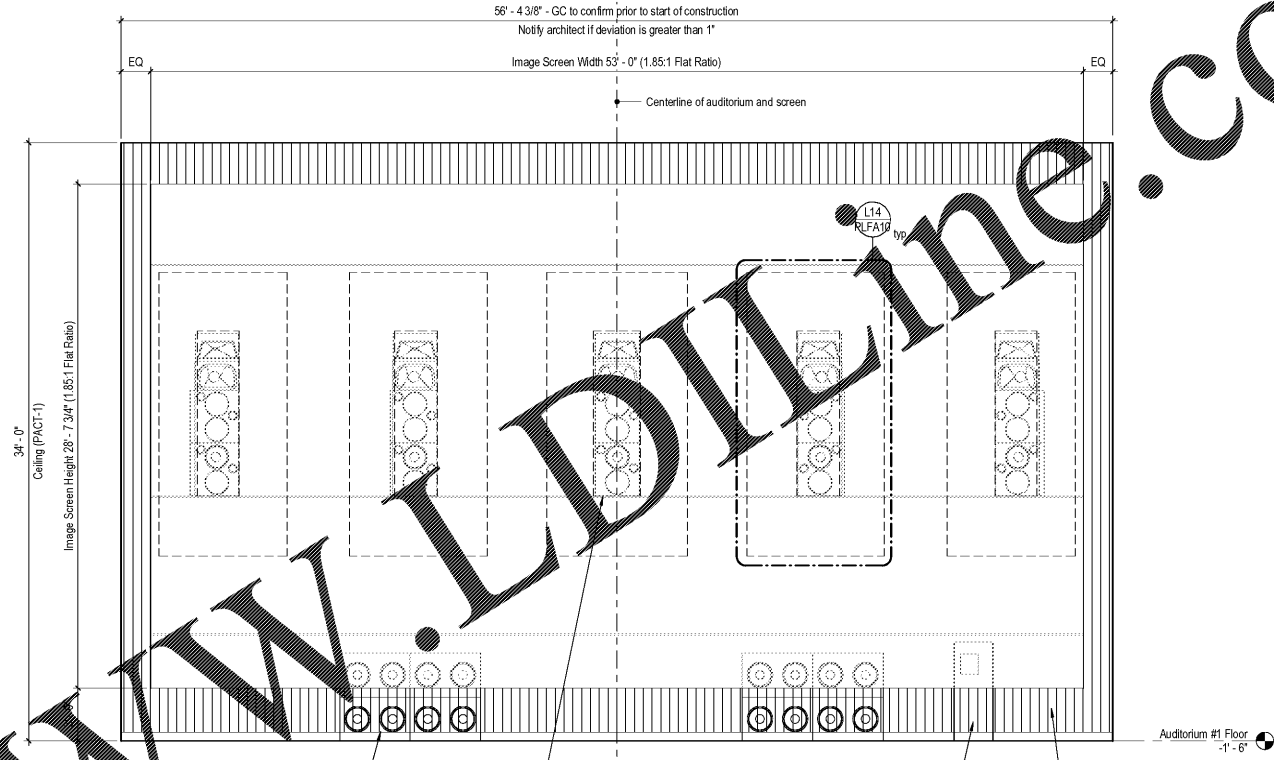
F3 Auditorium #1 - Guard Wall Elevation
PA1 1/4" = 1'-0"



A3 Auditorium #1 - Guard Wall Elevation
PA1 1/4" = 1'-0"



A6 Auditorium #1 - Sidewall Elevation
PA1 1/4" = 1'-0"



J10 Auditorium #1 - Seating Elevation
PA1 1/4" = 1'-0"

STATE OF GEORGIA
John S. Wright
 ARCHITECT
 1177 Peachtree Street, N.E.
 Atlanta, Georgia 30309
 PHONE: 404.525.1111
 FAX: 404.525.1112
 www.johnwright.com

SHEET LEGEND

GENERAL: GENERAL NOTATIONS & SCOPE OF WORK
 NOTES: EXERCISE AEA PLANS & DETAILS
 A100: FLOOR PLANS & CEILING PLANS
 A200: EXTERIOR & INTERIOR ELEVATIONS
 A300: BUILDING SECTIONS
 A400: FINISHED PLANS
 A500: EXTERIOR & INTERIOR DETAILS
 A600: FLOOR SCHEDULES, FLOOR FINISHES
 A700: INTERIOR SCHEDULES, FLOOR FINISHES
 A800: AUDITORIUM SEATING LINE SECTIONS
 S1: STRUCTURAL
 M: MECHANICAL
 E: ELECTRICAL
 P: PLUMBING
 W: WAITING ROOMS & DETAILS
 F: CASEWORK & EQUIPMENT
 PLF: PLF AUDITORIUM

AMC MADISON YARDS 8

AMC NEW BUILD
 905 MEMORIAL DR SE
 ATLANTA, GA 30316

amc

American Multi-Cinema, Inc.
 One AMC Way
 11500 Ash Street
 Lenexa, KS 66211

© Copyright 2018 American Multi-Cinema, Inc.

No.	Date	Description

Project Issue Date: 05/22/2018

KEY PLAN:

1	2	3	4	5
6	7	8	9	10

SHEET TITLE:
 Auditorium #1 Elevations

SHEET NUMBER:
 PLFA5

Confirm Light Cove Design with AMC prior to installing.
 Auditorium Cove design received from Dolby titled: "0-DOLBY CINEMA AT AMC MADISON YARD 8 - AUDITORIUM COVE-PRELIM" received 3 April 2018.

Confirm ATMOS Design with AMC prior to installing & aiming speakers. ATMOS layout shown received from Dolby titled: "2018-0403 0-DC AMC MADISON YARD 8 - ATMOS LAYOUT-PRELIM" received 3 April 2018.