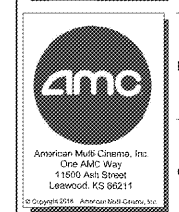


SHEET LEGEND

0000 GENERAL INFORMATION & SCALE OF ARCH
 0001 SURVEY REVISIONS & DETAILS
 1000 FLOOR PLANS & CEILING PLANS
 2000 ARCHITECTURAL ELEVATIONS
 3000 ARCHITECTURAL SECTIONS
 4000 ARCHITECTURAL DETAILS
 5000 MECHANICAL SYSTEMS
 6000 ELECTRICAL SYSTEMS
 7000 PLUMBING SYSTEMS
 8000 STRUCTURAL SYSTEMS
 9000 CONSTRUCTION DETAILS

AMC MADISON YARDS 8

AMC NEW BUILD
 805 MEMORIAL DR SE
 ATLANTA, GA 30316



No.	Date	Description

Project Issue Date: 05/22/2018

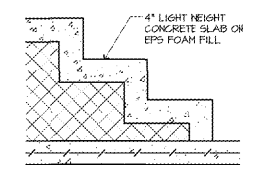
KEY PLAN:

SHEET TITLE:

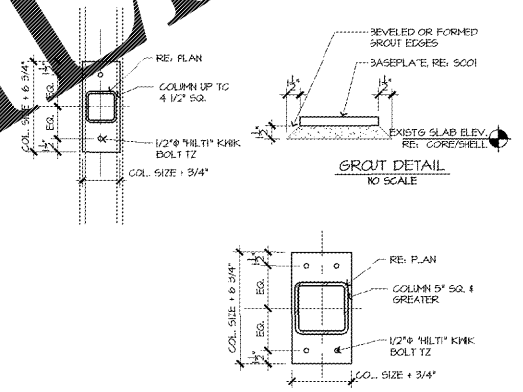
DETAILS

SHEET NUMBER:

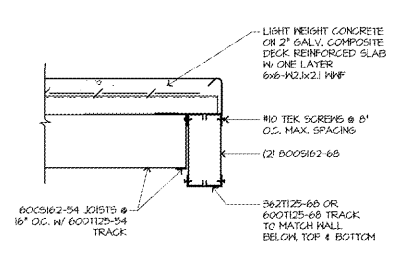
S512



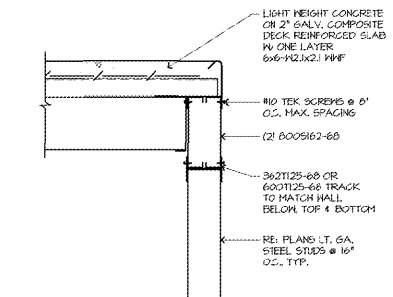
1 TYP STAIRS AT RISERS
SCALE: 1/2" = 1'-0"



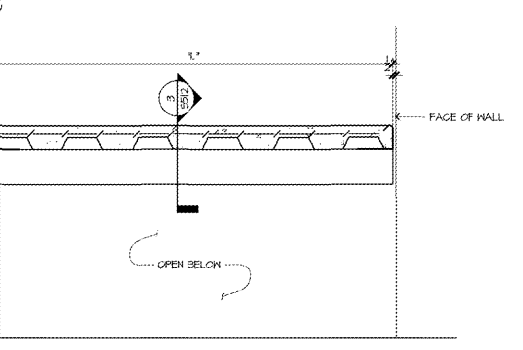
2 BASE PLATE DETAIL
SCALE: 1/2" = 1'-0"



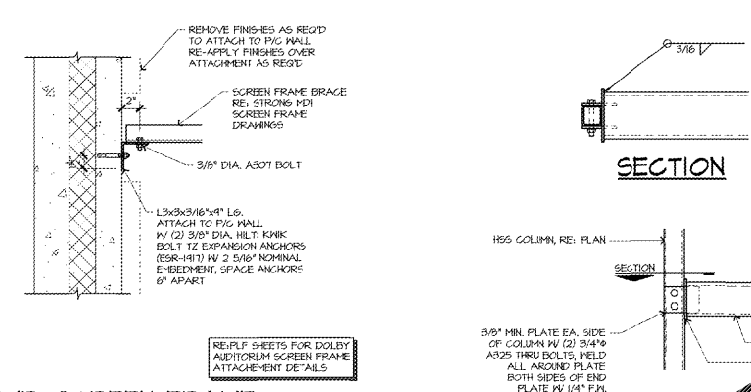
3 SECTION
SCALE: 1/2" = 1'-0"



4 SECTION
SCALE: 1/2" = 1'-0"

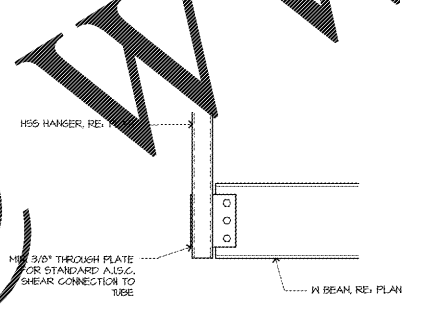


5 CONSTRUCTION OF PLATFORM FRAMING OVER AUDITORIUM ENTRY
SCALE: 1" = 1'-0"

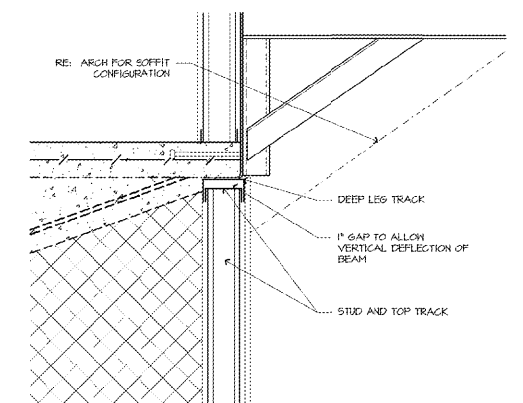


11 TYP. SCREEN FRAME ATTACHMENT @ P/C WALL
SCALE: 1/2" = 1'-0"

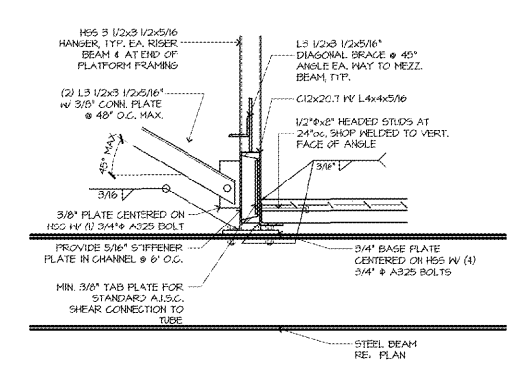
9 HSS BEAM TO COLUMN CONN.
SCALE: 1" = 1'-0"



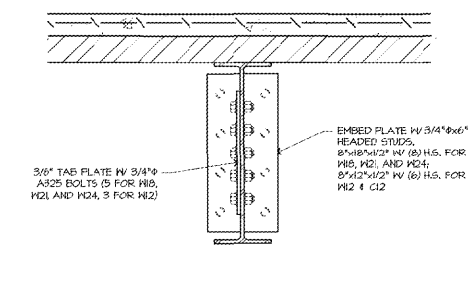
10 W BEAM TO HANGER CONN.
SCALE: 1" = 1'-0"



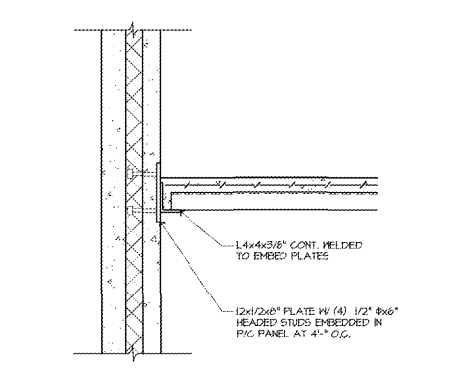
7 STUD WALL DETAIL
SCALE: 1/2" = 1'-0"



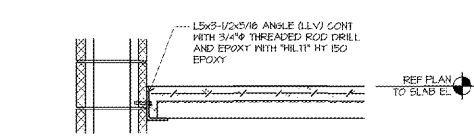
8 HANGER SECTION
SCALE: 1" = 1'-0"



14 BEAM CONN. TO P/C WALL
SCALE: 1/2" = 1'-0"

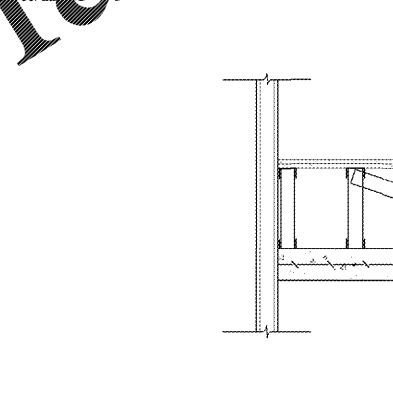


15 TYP. NON BEARING WALL
SCALE: 1" = 1'-0"

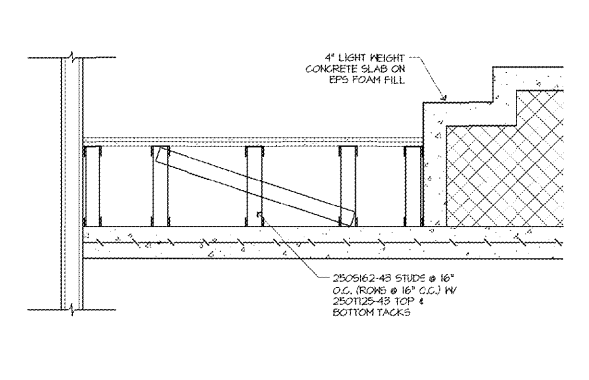


16 DECK BEARING AT CMU WALL
SCALE: 1" = 1'-0"

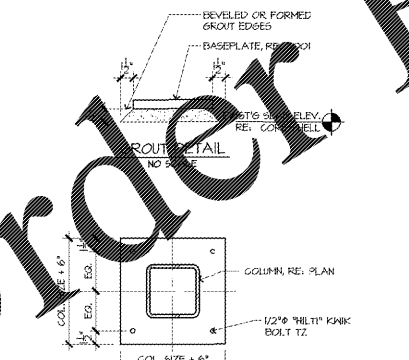
11 TYP. SCREEN FRAME BASE PLATE ATTACHMENT
SCALE: 1/2" = 1'-0"



13 TYP. STAIRS AT RISERS
SCALE: 1" = 1'-0"



17 BASE PLATE DETAIL
SCALE: 1/2" = 1'-0"



Order Plans @ www.LDOnline.com