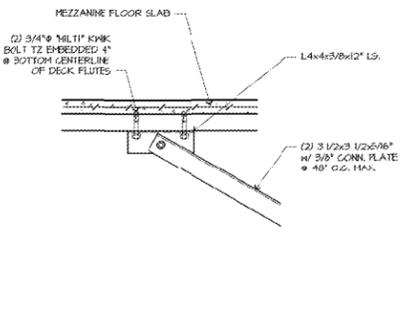
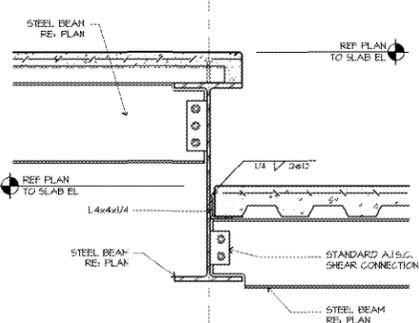


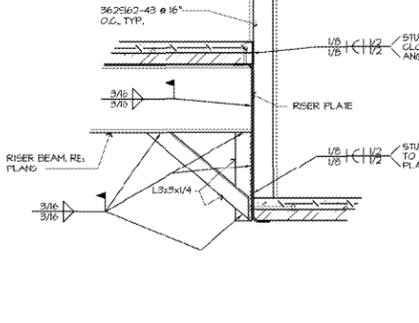
**14 UPPER BRACE CONNECTION**  
SCALE: 1" = 1'-0"



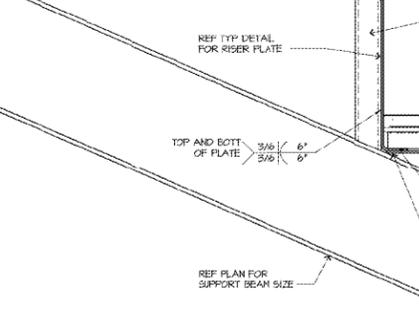
**10 MEZZANINE SLAB STEP DETAIL**  
SCALE: 1" = 1'-0"



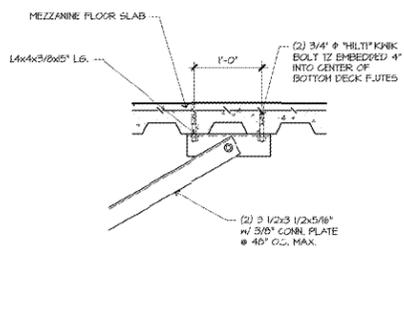
**7 SECTION**  
SCALE: 1" = 1'-0"



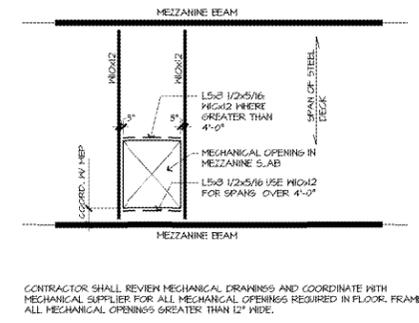
**1 TYPICAL RISER PLATE BEARING DETAILS**  
SCALE: 1 1/2\"/>



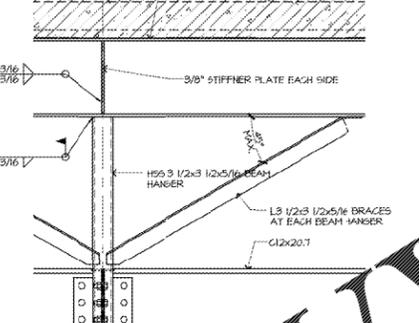
**15 UPPER BRACE CONNECTION**  
SCALE: 1" = 1'-0"



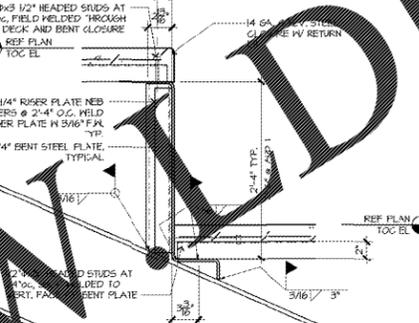
**11 MECHANICAL OPENINGS**  
SCALE: 1/4\"/>



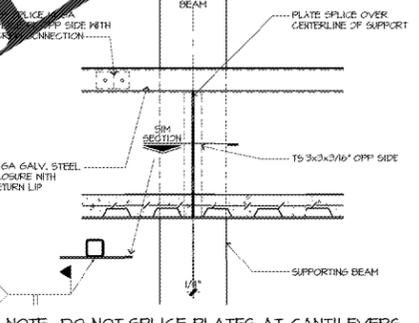
**8 RISER BEAM SUP'T BRACING**  
SCALE: 1" = 1'-0"



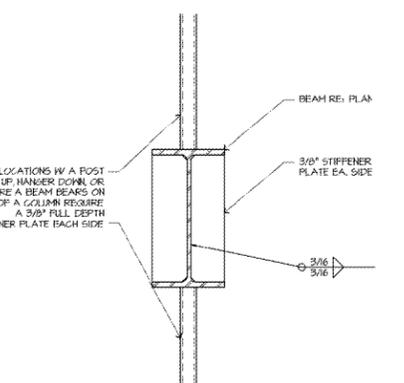
**3 TYPICAL RISER DETAIL**  
SCALE: 1 1/2\"/>



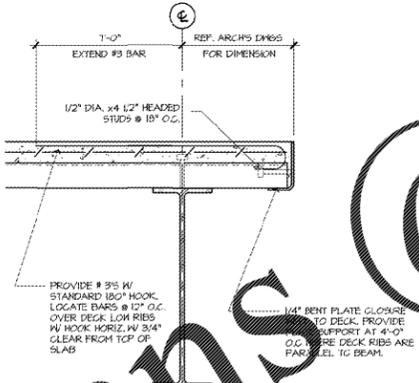
**2 RISER SPLICE**  
SCALE: 1 1/2\"/>



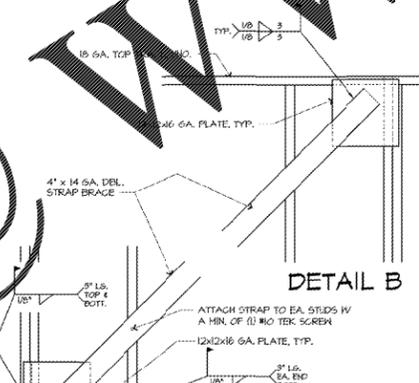
**16 TYP. STIFFENER PLATE DETAIL**  
SCALE: 1" = 1'-0"



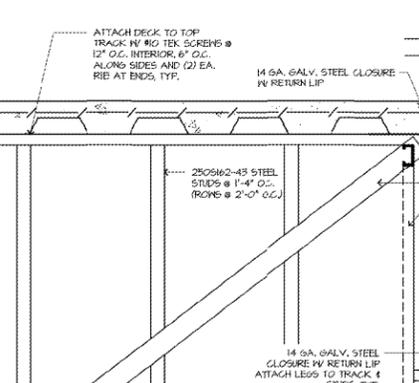
**12 MEZZ SLAB OVERHANG DET'L**  
SCALE: 1/2\"/>



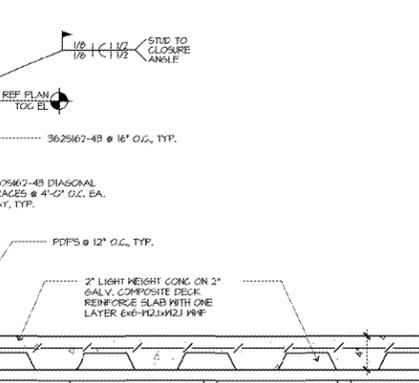
**9 BRACING AT STUD WALL**  
SCALE: 1" = 1'-0"



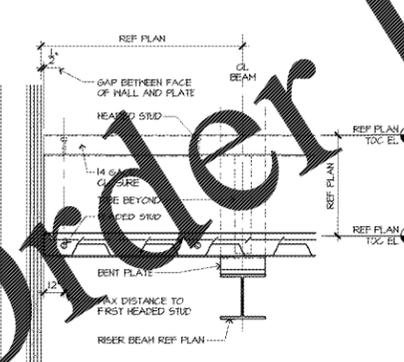
**4 TYPICAL METAL STUD FRAMED PLATFORMS**  
SCALE: 1 1/2\"/>



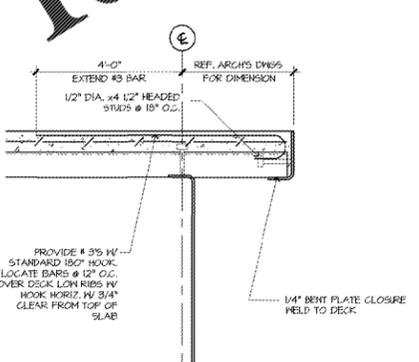
**5 HANGER SECTION**  
SCALE: 1" = 1'-0"



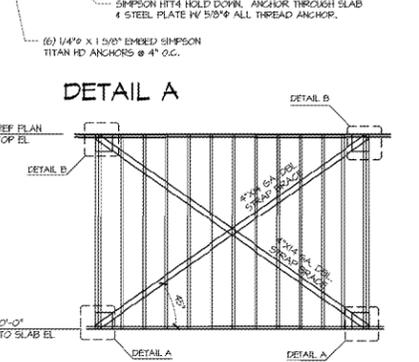
**17 RISER PLATE END SECTION**  
SCALE: 1" = 1'-0"



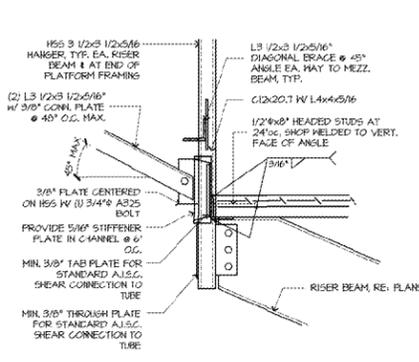
**13 PLATFORM OVERHANG DET'L**  
SCALE: 1 1/2\"/>



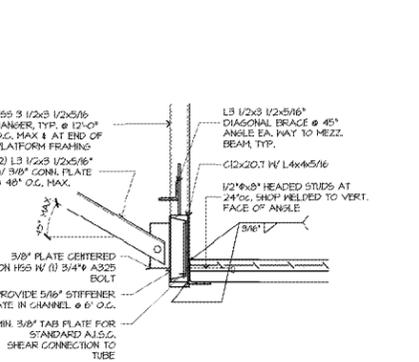
**6 SECTION**  
SCALE: 1" = 1'-0"



**6 SECTION**  
SCALE: 1" = 1'-0"



**5 HANGER SECTION**  
SCALE: 1" = 1'-0"



DATE: 11/11/11

PROJECT: AMC MADISON YARDS 8

PROJECT NUMBER: 2017-2311

---

**SHEET LEGEND**

0000: GENERAL MECHANICAL & STRUCTURAL NOTES  
 0001: GENERAL MECHANICAL & STRUCTURAL NOTES  
 0002: GENERAL MECHANICAL & STRUCTURAL NOTES

1000: FLOOR PLANS & CEILING PLANS  
 2000: STRUCTURAL & MECHANICAL CONNECTIONS  
 3000: MECHANICAL & ELECTRICAL CONNECTIONS  
 4000: MECHANICAL & ELECTRICAL CONNECTIONS  
 5000: MECHANICAL & ELECTRICAL CONNECTIONS  
 6000: MECHANICAL & ELECTRICAL CONNECTIONS  
 7000: MECHANICAL & ELECTRICAL CONNECTIONS  
 8000: MECHANICAL & ELECTRICAL CONNECTIONS  
 9000: MECHANICAL & ELECTRICAL CONNECTIONS

---

**AMC MADISON YARDS 8**

AMC NEW BUILD  
 805 MEMORIAL DR SE  
 ATLANTA, GA 30316

---

**amc**

American Multi-Climate, Inc.  
 One AMC Way  
 11510 Ash Street  
 Lubbock, TX 79424

Project Issue Date: 05/22/2018

---

**KEY PLAN:**

**SHEET TITLE:**

**DETAILS**

---

**SHEET NUMBER:**

**S510**