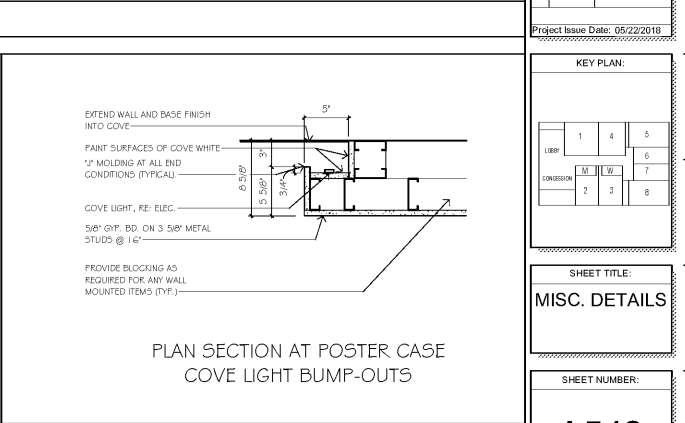
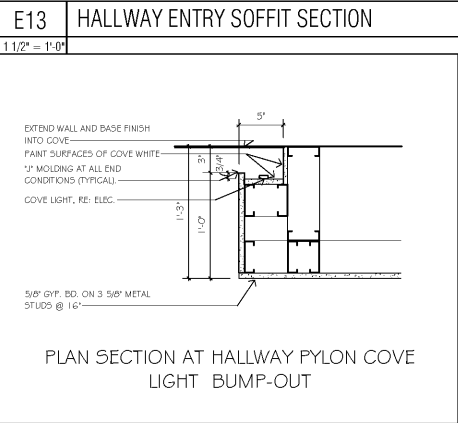
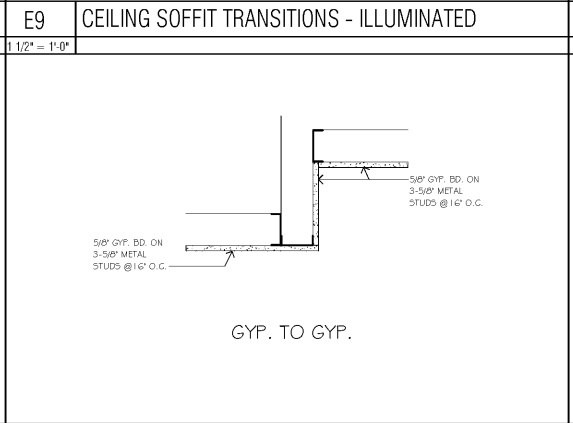
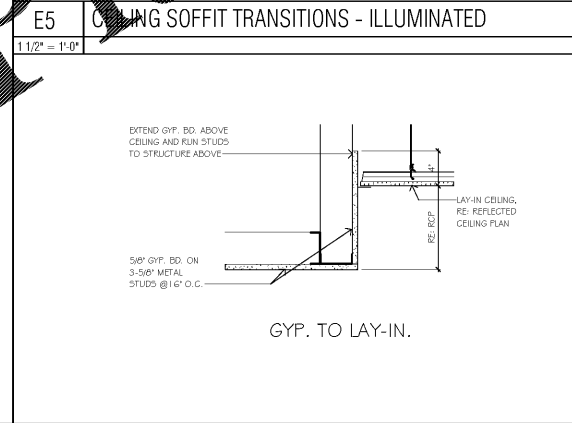
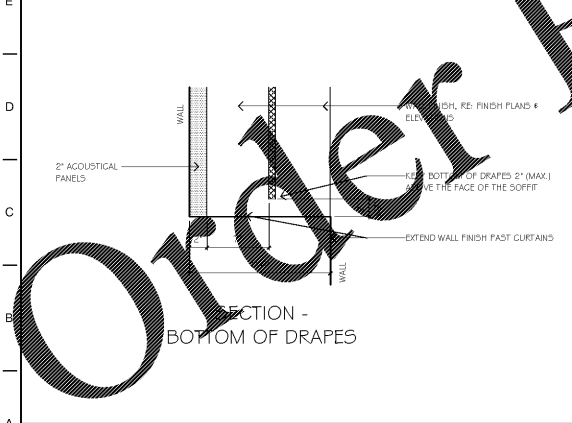
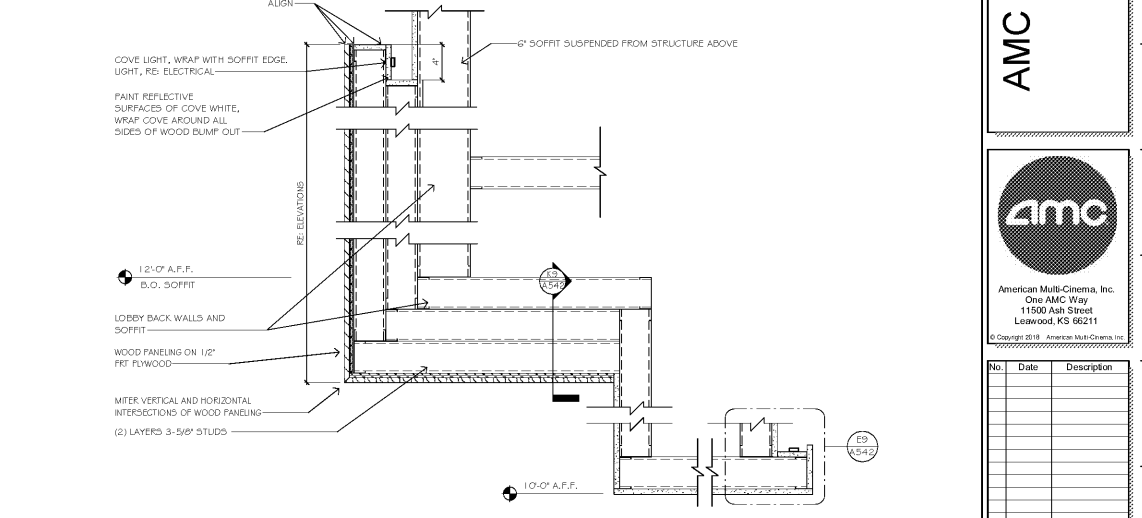
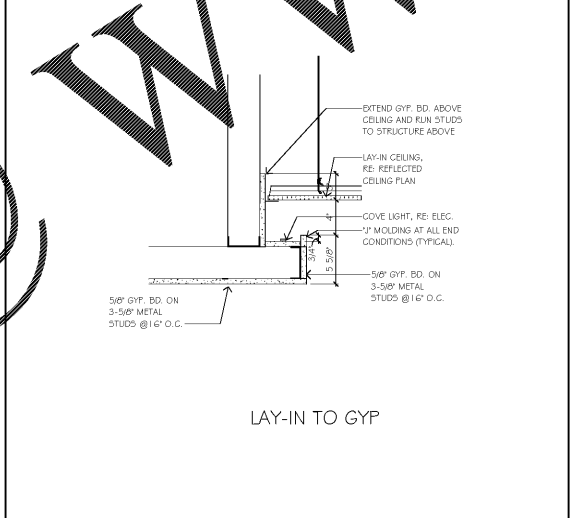
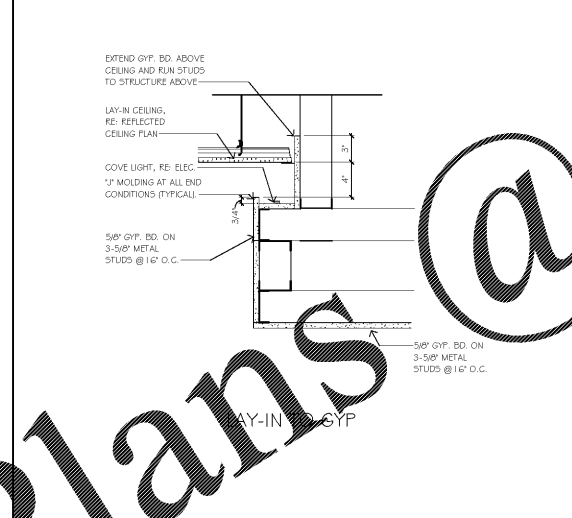
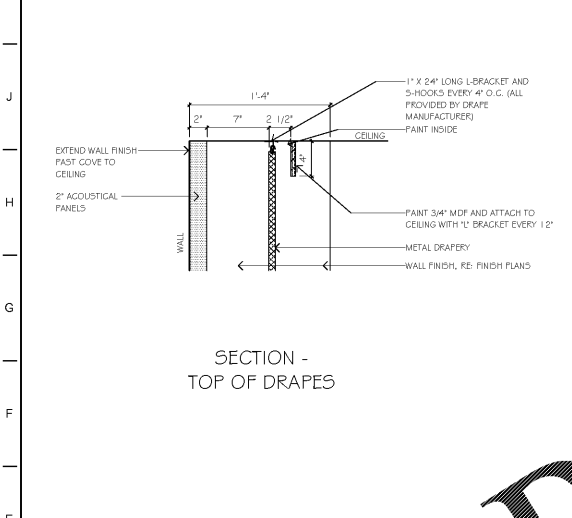


Q1 BAR SOFFIT SECTION 1 1/2" = 1'-0"  
 Q9 BAR/HALLWAY SOFFIT SECTION 1/2" = 1'-0"  
 K13 COKE FREESTYLE SECTION 1" = 1'-0"



A1 COIL DRAPES DETAIL 1 1/2" = 1'-0"  
 A5 CEILING SOFFIT TRANSITIONS - NONILLUMINATED 1 1/2" = 1'-0"  
 A9 CEILING SOFFIT TRANSITIONS - NONILLUMINATED 1 1/2" = 1'-0"  
 A13 HALLWAY PYLON COVE DETAIL 1 1/2" = 1'-0"  
 A16 POSTER CASE BUMP OUT DETAIL 1 1/2" = 1'-0"



**SHEET LEGEND**

GENERAL INFORMATION & SCOPE OF WORK

GENERAL NOTES & DETAILS

FLOOR PLANS & CEILING PLANS

ELEVATIONS & INTERIOR ELEVATIONS

BUILDING SECTIONS

EXTERIOR PLANS

DOOR & WINDOW DETAILS

ROOF SCHEDULES, SCORING DETAILS

MECHANICAL, PLUMBING & ELECTRICAL

AUDITORIUM SEATING LINE SECTIONS

MECHANICAL

PLUMBING

ELECTRICAL

WARRANTY DETAILS

CABINETS & EQUIPMENT

PLUMBING AUDITORIUM

**AMC MADISON YARDS 8**

AMC NEW BUILD  
 805 MEMORIAL DR SE  
 ATLANTA, GA 30316



No.	Date	Description

Project Issue Date: 05/22/2018

**KEY PLAN:**

1	4	5
2	3	7
6	8	

**SHEET TITLE:**  
 MISC. DETAILS

**SHEET NUMBER:**  
 A542

Order Plans @ WWW.LDILINE.COM