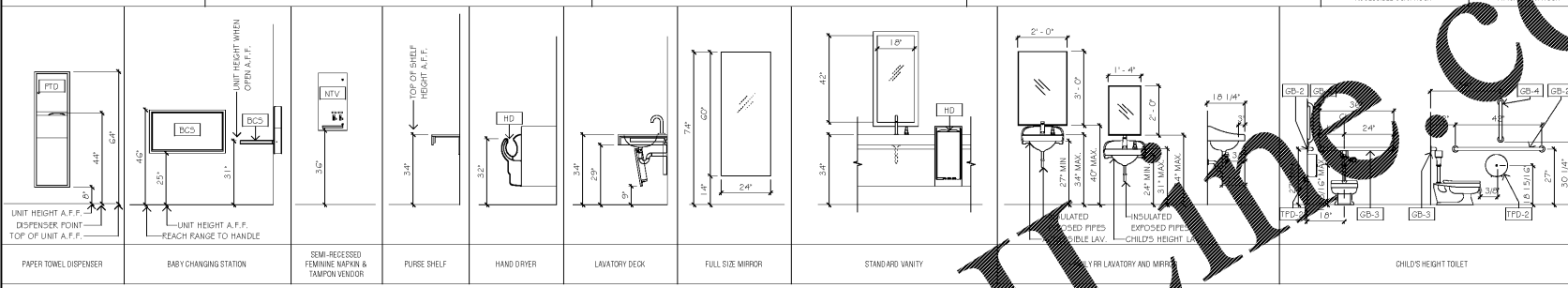
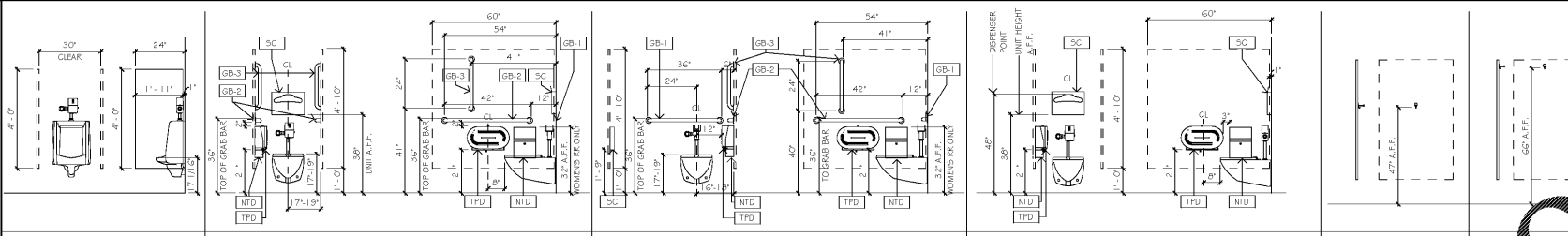


SPECIALTY EQUIPMENT SCHEDULE			
ITEM	DESCRIPTION	MANUFACTURER & MODEL	QTY
BC5	RECESSED STAINLESS STEEL BABY CHANGING STATION	BRADLEY 362	3
GB-1	1-1/2" DIAMETER 36" LONG STAINLESS STEEL GRAB BARS WITH CONCEALED MOUNTING	BRADLEY 612-001-36-2	6
GB-2	1-1/2" DIAMETER 42" LONG STAINLESS STEEL GRAB BARS WITH CONCEALED MOUNTING	BRADLEY 612-001-42-2	10
GB-3	1-1/2" DIAMETER 24" LONG STAINLESS STEEL GRAB BARS WITH CONCEALED MOUNTING	BRADLEY 612-001-24-2	9
GB-4	1-1/2" DIAMETER 18" LONG STAINLESS STEEL GRAB BARS WITH CONCEALED MOUNTING	BRADLEY 612-001-18-2	1
HD	DYSON AIRBLADE HAND DRYER (GREY)	DYSON AB14	4
M-1	SURFACE MOUNTED LAV DECK MIRROR WITH WOOD FRAME - W18" x H42"	BRADLEY 747-01-8420	5
M-2	STAINLESS STEEL CHANNEL FRAME FULL LENGTH MIRROR W 24" x H 60"	BRADLEY 781-2436	3
M-3	STAINLESS STEEL CHANNEL FRAME FAMILY PK MIRROR W 24" x H 36"	BRADLEY 781-2436	3
M-4	STAINLESS STEEL CHANNEL FRAME CHILD'S HEIGHT MIRROR W 18" x H 24"	BRADLEY 781-1824	1
M-5	SURFACE MOUNTED LAV DECK MIRROR WITH WOOD FRAME - W60" x H42"	BRADLEY 747-02-8600	1
NTD	SURFACE MOUNTED FEMININE NAPKIN DISPOSAL	BRADLEY 4722-15	13
NTV	SEMI-RECESSED FEMININE NAPKIN/TAMPON VENDOR, STAINLESS STEEL	BRADLEY 4017	1
PTD	SEMI-RECESSED PAPER TOWEL DISPENSER AND WASTE RECEPTACLE	BRADLEY 2425-1036	3
SC	SURFACE MOUNTED SEAT COVER DISPENSER	BRADLEY 5831	17
SD	LAVATORY MOUNTED SOAP DISPENSER	GOJO 8520-D1	8
SD-2	SURFACE MOUNTED SOAP DISPENSER	BRADLEY 6362	4
TFD	SURFACE MOUNTED TOILET TISSUE DISPENSER - DUAL JUMBO ROLL	BRADLEY 5425	18
TFD-2	SURFACE MOUNTED TOILET TISSUE DISPENSER - SINGLE JUMBO ROLL	BRADLEY 5424	1

- SEE DIMENSION AND REFERENCE FLOOR PLANS FOR ADDITIONAL NOTES AND DIMENSIONS.
- ACCESSIBLE AND AMBULATORY TOILET PARTITION DOORS MUST BE SELF-CLOSING.
- ANY NEW CONTROLS FOR WATER CLOSETS AND LAVATORIES SHALL BE ON THE FIXTURES ACCESSIBLE (WRO) SIDE.
- DOORS TO HANDICAPPED TOILETS SHALL HAVE A MINIMUM 34" CLEAR WIDTH.
- WRAP ALL EXPOSED PIPES WITH INSULATION UNDER LAVATORY COUNTERS, TYP.
- PROVIDE ALL NEW HARDWARE AND TRIM FOR NEW RESTROOM PARTITIONS. NEW PARTITIONS TO BE OVERHEAD AND WALL BRACED.
- USE STAINLESS STEEL ACCESS PANELS FOR ALL PLUMBING FUTURE RECESSED RESTROOM ACCESSORY UNITS.
- ANY EXPOSED TILE EDGES SHALL HAVE TRIM, RE: ASOCS MANUFACTURERS REQUIREMENTS.
- PATCH AND REPAIR ALL SURFACES WHERE TILE WAS REMOVED TO RECEIVE NEW TILE. SLOPE FLOORS TOWARD DRAIN.
- COORDINATE ELECTRICAL FLUSH VALVE SENSOR LOCATIONS PER MANUFACTURERS REQUIREMENTS.
- COORDINATE HANDRAIL CLEARANCE WITH TOILET COMPARTMENT ACCESSORIES IN ACCESSIBLE STALLS.
- RE: PLUMBING FOR NEW FAUCET AND SINK SPECS.
- PROVIDE BLOCKING AS REQUIRED FOR MOUNTING OF ALL TOILET ACCESSORIES.
- INSTALL SEALANT IN JOINT BETWEEN CLIF WALL TILE EDGE AND RECESSED RESTROOM ACCESSORY UNITS.
- COORDINATE ELECTRICAL FLUSH VALVE SENSOR LOCATIONS PER MANUFACTURERS REQUIREMENTS.
- COORDINATE HANDRAIL CLEARANCE WITH TOILET COMPARTMENT ACCESSORIES IN ACCESSIBLE STALLS.
- RE: PLUMBING FOR NEW FAUCET AND SINK SPECS.



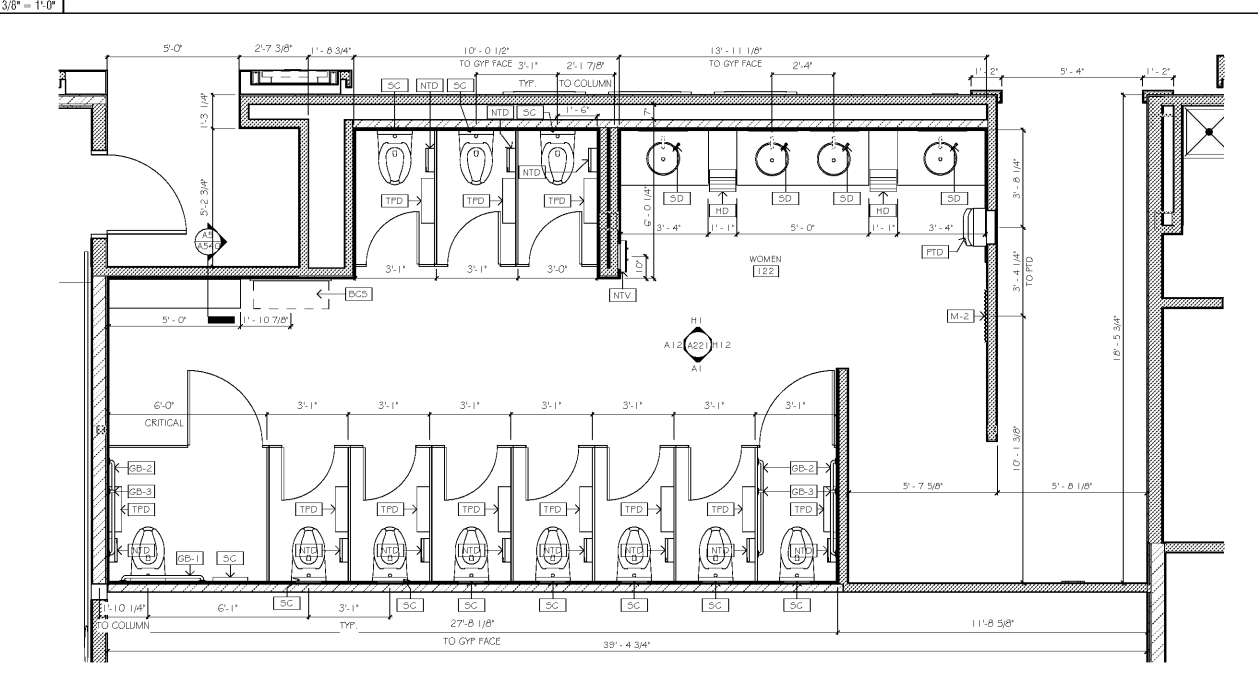
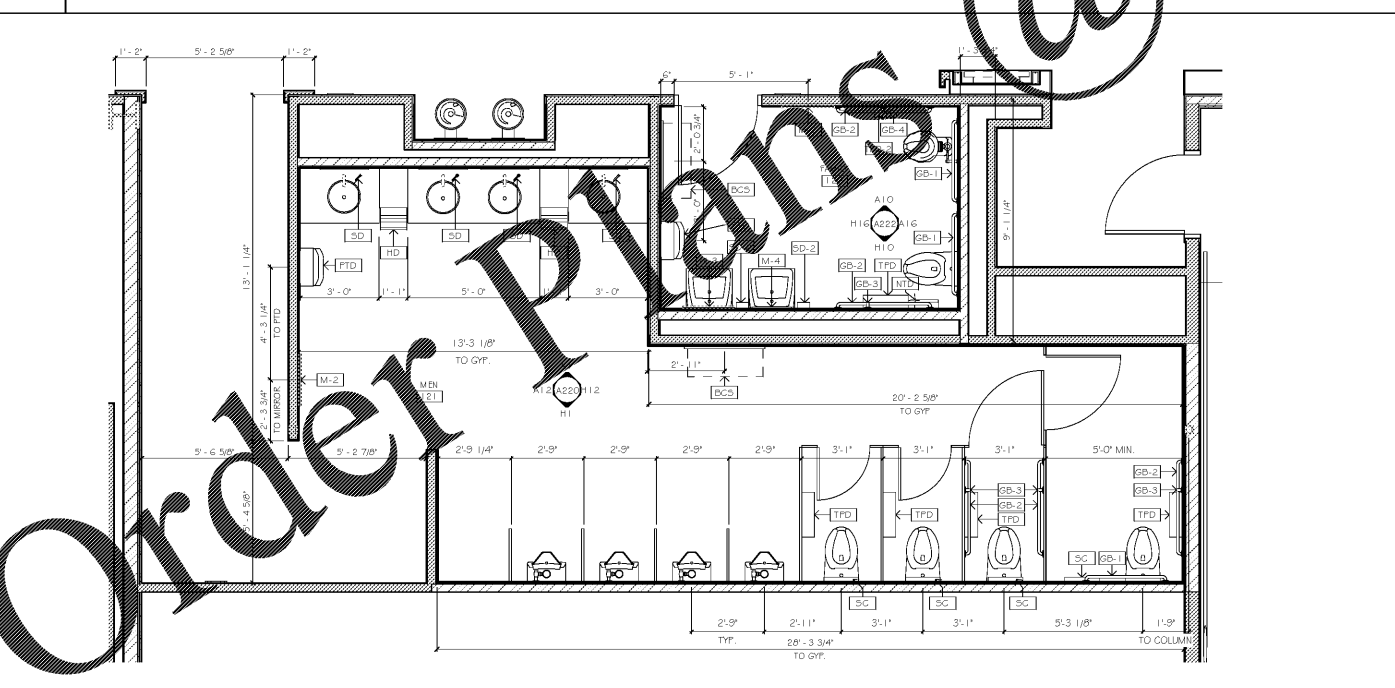
SHEET LEGEND	
GENERAL INFORMATION & 2025 OF WORK	
NOTES - EXCEPT AS SHOWN IN DETAILS	
100 - FLOOR PLANS & CEILING PLANS	
200 - EXTERIOR & INTERIOR ELEVATIONS	
300 - BUILDING SECTIONS	
400 - EXTERIOR & INTERIOR DETAILS	
500 - ROOF SCHEDULES & ROOF DETAILS	
600 - MECHANICAL, PLUMBING & ELECTRICAL	
700 - MECHANICAL, PLUMBING & ELECTRICAL	
800 - MECHANICAL, PLUMBING & ELECTRICAL	
900 - MECHANICAL, PLUMBING & ELECTRICAL	
1000 - MECHANICAL, PLUMBING & ELECTRICAL	

P1 EQUIPMENT SCHEDULE

P8 RESTROOM FIXTURE NOTES

H1 NOT USED

H11 ENLARGED RESTROOM PLAN - EMPLOYEES



A1 ENLARGED RESTROOM PLAN - MENS

A11 ENLARGED RESTROOM PLAN - WOMENS

AMC MADISON YARDS 8
 AMC NEW BUILD
 906 MEMORIAL DR SE
 ATLANTA, GA 30316



American Multi-Cinema, Inc.
 One AMC Way
 11500 Ash Street
 Lenexa, KS 66211

No.	Date	Description

KEY PLAN:	
1	4
2	5
3	6
7	8
9	10

SHEET TITLE:
ENLARGED RESTROOMS

SHEET NUMBER:
A410