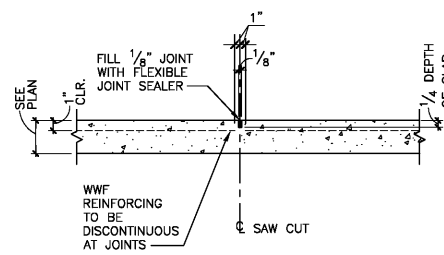
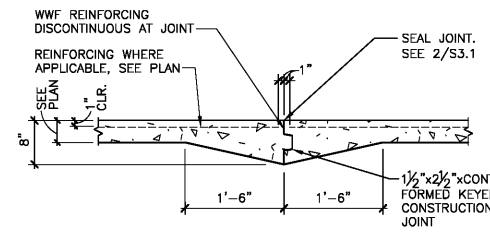


TYPICAL TURNED DOWN SLAB EDGE 1
SCALE: 3/4" = 1'-0"
S3-1



TYP. CONTROL JOINT SLABS ON GRADE 2
NOT TO SCALE
S3-1

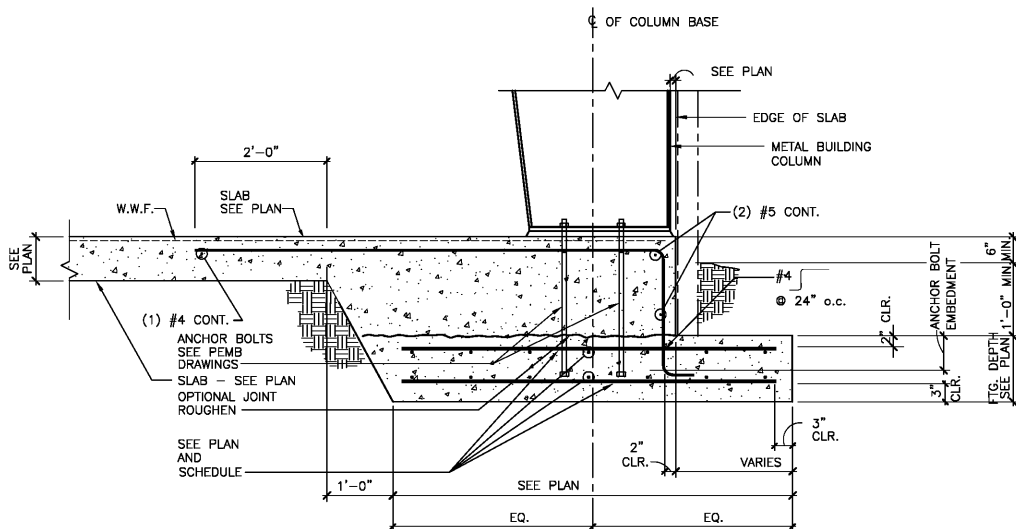


TYPICAL CONSTRUCTION JOINT SLABS ON GRADE 3
NOT TO SCALE
S3-1

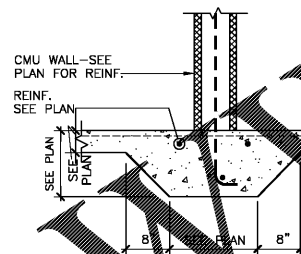
EMBEDMENT SCHEDULE		
ANCHOR BOLT DIAMETER (db)	MINIMUM EMBEDMENT	
5/8"	0'-8"	
3/4"	1'-0"	
1"	1'-4"	

- NOTES:**
- FOR METAL BUILDING COLUMNS QUANTITY AND DIAMETER SHALL BE AS SPECIFIED BY METAL BUILDING MANUFACTURER.
 - THICKEN FOOTING 3" MINIMUM BEYOND ANCHOR BOLTS ON ALL SIDES, TO PROVIDE MINIMUM 3" CLEAR BELOW ANCHOR BOLTS, IF REQUIRED.

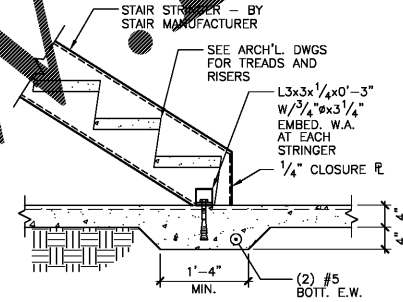
TYP. ANCHOR BOLT EMBEDMENT SCHEDULE 4
NOT TO SCALE
S3-1



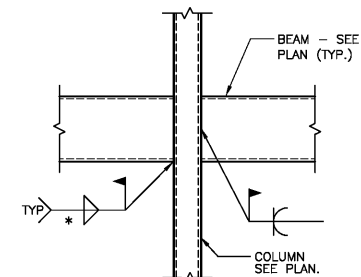
TYPICAL METAL BUILDING COLUMN BASE AND FOOTING 5
NOT TO SCALE
S3-1



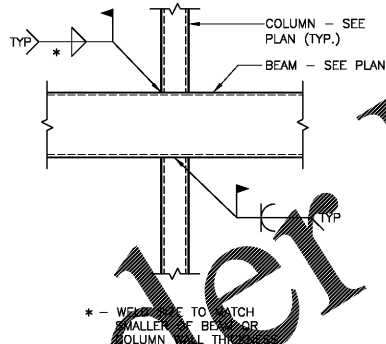
TYP. THICKENED SLAB AT INTERIOR WALLS 6
NOT TO SCALE
S3-1



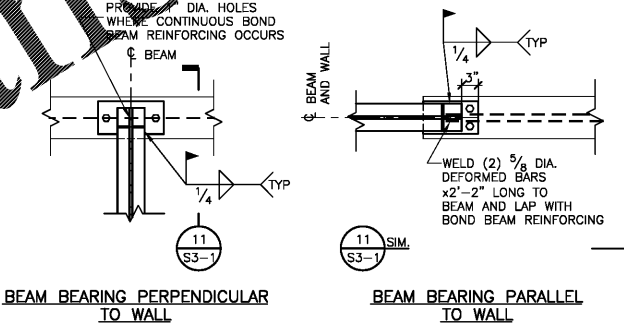
TYPICAL STAIR BASE ANCHORAGE 7
NOT TO SCALE (SIMILAR AT 8" SLAB AND TURNED DOWN SLAB)
S3-1



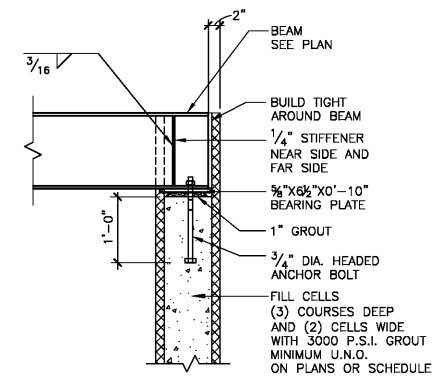
TYPICAL TUBE BEAM TO COLUMN CONNECTION (BEAM TO FACE OF COLUMN) 8
NOT TO SCALE
S3-1



TYPICAL TUBE BEAM TO COLUMN CONNECTION (BEAM TO FACE OF COLUMN) 9
NOT TO SCALE
S3-1



TYP. BEAM BEARING ON CMU WALL IN PLAN VIEW 10
NOT TO SCALE
S3-1



TYPICAL BEAM BEARING PERPENDICULAR ON CMU WALL 11
NOT TO SCALE
S3-1

ARCHITECT'S STAMP

STATE OF GEORGIA
7575
REGISTERED ARCHITECT

SIGNATURE REQUIRED

SMITH DESIGN GROUP, INC.
2 WEST WALTON STREET
ATLANTA, GEORGIA 30240
770-882-5511 www.SDGarch.net

REVISIONS		
Δ	DATE	DESCRIPTION

PROJECT:
VERNON ROAD FIRE STATION
VERNON ROAD
LAGRANGE GEORGIA

SECTIONS AND DETAILS

MODIFIED DATE:	JOB NO: 1731
ISSUED DATE: FOR BID AND PERMIT 7 MAY 2018	SHEET: S3-1

SBFA JOB # 18034.01
SHRZER BRUDY FAGAN ASSOCIATES, INC.
CONSULTING STRUCTURAL ENGINEERS
2337 PERIMETER PARK SUITE 215
ATLANTA, GEORGIA 30341
PHONE: (770) 455-3404, FAX: (770) 451-1415
COPYRIGHT © SHRZER BRUDY FAGAN ASSOCIATES, INC. 2018