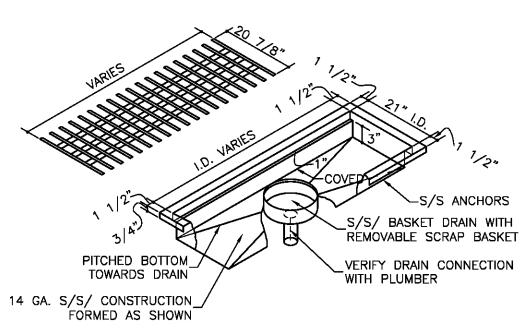
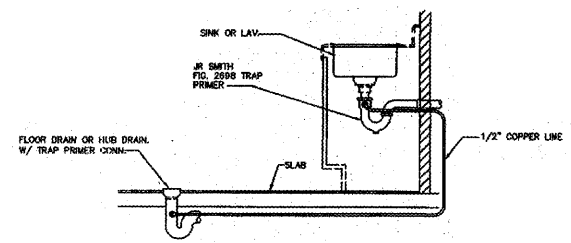


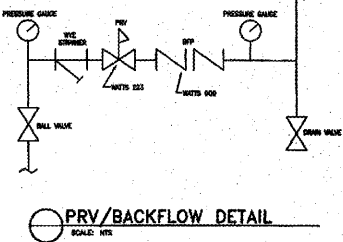
TYPICAL WATER PIPING DETAIL FOR TOILETS
SCALE: NOT TO SCALE



ICE MACHINE FLOOR GRATE & TROUGH DETAIL
SCALE: NTS



WATER SAVER TRAP PRIMER DETAIL
NOT TO SCALE



PRV/BACKFLOW DETAIL
SCALE: NTS

PLUMBING SUB-CONTRACTOR:

- TO PROVIDE AND INSTALL ALL SANITARY, WATER LINES, AND VENT PIPING, CLEANOUTS, ETC. TO INSTALL NEW PLUMBING FIXTURES AS INDICATED ON THE DRAWINGS. CONNECT BACK TO EXISTING PLUMBING IN THE AREA OF NEW PLUMBING FIXTURES. FIELD VERIFY ALL EXISTING CONDITIONS PRIOR TO BIDDING. PROVIDE HOT AND COLD WATER TO ALL SINKS.
- PROVIDE AUTOMATIC TRAP PRIMERS FOR ALL FLOOR DRAINS. FLOOR DRAINS TO BE J.R. SMITH 2010-A
- REMOVE AND REPLACE EXISTING WALLS, FLOORS, CEILINGS AS REQUIRED FOR NEW PLUMBING LINES AND FIXTURES.
- PROVIDE AS-BUILT DRAWINGS; TWO HARD COPIES, TWO PDF ELECTRONIC COPIES. AS-BUILT DRAWINGS TO SHOW EXACT LOCATIONS OF ALL PIPING.

P2 - WATER CLOSET (ACCESSIBLE): FLOOR MOUNTED WITH ELUS VALVE, ELONGATED WHITE VITREOUS CHINA, 17" HIGH RIM, 28 GPF MANUAL FLUSH VALVE, OPEN FRONT SEAT WITH CHOCK HINGED ADA COMPLIANT. AMERICAN STANDARD, KOHLER, ELJER, OR CRANE.

P5 - LAVATORY (ACCESSIBLE): COMMERCIAL GRADE WHITE VITREOUS CHINA, WALL MOUNTED WITH TRACKSPLEX ADA COMPLIANT. AMERICAN STANDARD, KOHLER, ELJER, OR CRANE. FAUCET SHALL BE CHROME PLATE BRASS, SINGLE LEVER TYPE WITH STANDARD SPOUT, 0.8 GPM AERATOR AND GRID DRAIN. AMERICAN STANDARD, CHICAGO, KOHLER, OR MOEN. PROVIDE STOP VALVES, FLEXIBLE BRAIDED WATER SUPPLY, DRAIN TAILPIECE, AND P-TRAP WITH CLEANOUT.

P11 - SHOWER: (SHOWER ENCLOSURE IS ACRYLIC) PROVIDE ADA COMPLIANT PRESSURE BALANCED SHOWER VALVE, FIXED-POSITION ADJUSTABLE SHOWER HEAD, HAND-HELD ADJUSTABLE SHOWER HEAD ON 2" SLIDE BAR, LEVER ACTIVATED SHOWER HEAD SELECTOR VALVE AND GRID DRAIN MAXIMUM 2.5 GPM FLOW RATE AT 60 PSIG SHOWER FITTINGS SHALL BE CHICAGO MODEL 1907-TK600CP WITH 1.5-CP HAND-HELD SHOWER HEAD AND SLIDE BAR, OR EQUAL SYMMONS, MOEN, AMERICAN STANDARD OR KOHLER. (LINEAR SHOWER DRAINS SHALL BE AS SPECIFIED ABOVE.)

F8 - MOP RECEPTOR: FLOOR MOUNTED, MOLDED STONE BASIN, NOMINAL 24"x24"x12" DEEP, WITH RIM GUARD AND GRID DRAIN. FAUCET SHALL BE WALL MOUNTED AT 3'-0" AFF AND SHALL INCLUDE INTEGRAL STOPS, VACUUM BREAKER, HOSE THREADS, BUCKET HOOK AND ANGLE WALL BRACE. BASIN SHALL BE FLORESTONE OR FIAT. FAUCET SHALL BE AMERICAN STANDARD, KOHLER, CHICAGO, OR MOEN.

F9 - UTILITY SINK: MOLDED STONE BASIN, FLOOR MOUNTED ON ADJUSTABLE LEGS, WITH FAUCET SHELF, BLADE HANDLE FAUCET WITH GOOSENECK SPOUT, GRID DRAIN. FIXTURE SHALL BE FIAT MODEL FL-1. OR EQUAL. FAUCET SHALL BE CHICAGO MODEL 895-GN2AE3ABCP, OR EQUAL.

F12 - WASHER BOX: GALVANIZED STEEL HOUSING WITH HOT AND COLD WATER HOSE BIBBS AND 2" DRAIN OUTLET. GUY GRAY MODEL B200C, OR EQUAL.

PLUMBING SPECIFICATIONS: (DESIGN - BID - BUILD)

PLUMBING GENERAL
Work covered by this document includes labor, material, products and services for, and incidental to, installation of plumbing systems drawn or specified.
Work shall be complete, tested, adjusted and ready for operation.

REGULATIONS AND REQUIREMENTS
Install work to comply with local, state and federal applicable regulations.
Secure necessary permits and inspections, paying all costs and fees involved.

SHOP AND RECORD DRAWINGS
Furnish shop drawings for manufactured products, 4 (four) copies minimum.

DRAWINGS
Except where dimensions are specifically indicated, mechanical drawings are diagrammatic and shall not be scaled. However, size and location of equipment is shown to scale where possible. Drawings indicate required size and routes of system elements. It is not the intention to indicate all off-sets, risers and drops. It is the contractor's responsibility to install system elements in a manner to conform to structure and avoid obstructions.

Refer to architectural drawings for building dimensions.

Refer to electrical drawings for voltage and system characteristics supplied to mechanical equipment.

Visit project site, survey existing conditions, and coordinate work to comply with the documents.

FIXTURES
Refer to plumbing fixture schedule.

Water Heaters: vertical electric design, PVC jacket, immersion element, anode rod, thermostat, high temperature cut-off, ASME rated combination temperature and relief valve, glass lined tank, 150 psi working pressure, 75 watt per square inch heating element, UL listed, three year commercial warranty. Heater shall be A.O. Smith complying with ASHRAE-90 standards. Water heater shall be as indicated, State Stove brand or approved substitute.

PIPING
Sanitary waste and vent pipe shall be schedule 40 PVC DWV pipe and fittings, ASTM D2665-78. (Use cast iron in return air plenum spaces.)
Domestic water pipe shall be CPVC.

VALVES
Gate Valves: Bronze body, 235 psi minimum working pressure, rising stem, soldered or screwed ends.
Valves shall be Jenkins No. 47, Kennedy No. 23, Crane, NIBCO, Hammond, Milwaukee, Stockham or approved equal.

INSTALLATION
Products shall be installed in accordance with manufacturer's printed installation and maintenance literature.
Components requiring periodic maintenance or adjustment shall be located or installed as to permit access without damage to building structure, finishes or other equipment.

PLUMBING FIXTURE SCHEDULE (OTHER SIMILAR MANUFACTURERS ARE ACCEPTABLE)							
MARK	DESCRIPTION	S	W	CW	HW	REMARKS / MOUNTING	MODEL NUMBER
	WATER CLOSET	4"	---	1/2"	---	15" SEAT HEIGHT	KOHLER K-3428, 1.6 GPF OR EQUAL (Note- other similar manufacturers are acceptable)
P1	WATER CLOSET	4"	---	1/2"	---	18" SEAT HEIGHT	KOHLER K-3427, 1.6 GPF OR EQUAL
P3	URINAL	---	2"	3/4" (VERIFY)	---	17" MAX LIP HEIGHT	ELJER 161-1090 W/ 3/4" TOP SPUD 1.0 GPF SLOAN FLUSH VALVE 180-K OR EQUAL
P4	LAVATORY	---	1 1/4"	1/2"	1/2"	IN COUNTER UNDERMOUNT	ELJER 053-0364 W/ GRID DRAIN FAUCET ZURN, Aqua Sped Z812A4. 4" center set faucet, POLISHED CHROME WITH MCGUIRE OFFSET PROWRAP P-TRAP MODEL PW2125 OR EQUAL
P5	LAVATORY	---	1 1/4"	1/2"	1/2"	WALL HUNG	ELJER 051-2344 W/ GRID DRAIN MTD. FLUSH TO WALL FAUCET ZURN, Aqua Sped Z812A4. 4" center set faucet, POLISHED CHROME WITH MCGUIRE OFFSET PROWRAP P-TRAP MODEL PW2125 OR EQUAL
P6	BREAKROOM SINK (20" X 35") OWNER VERIFY	---	1 1/4"	1/2"	1/2"	16 GA. STAINLESS STEEL SINK. SUBMIT CUT SHEET TO OWNER.	UNDERMOUNT SINK - 10" DEEP WITH DISPOSAL
P7	SINK (18" X 14") OWNER VERIFY	---	1 1/4"	1/2"	1/2"	16 GA. STAINLESS STEEL SINK. SUBMIT CUT SHEET TO OWNER.	UNDERMOUNT SINK - 10" DEEP
P8	COMPOSITE STONE FLOOR SINK 24"x36"	---	1 1/4"	1/2"	1/2"		PROVIDE FRP PANELS ON THREE SIDES OF WALL F MOP SINK UP TO 48" A.F.F. PROVIDE MOP SINK FAUCETS MOUNTED ON BACK WALL @ 36" A.F.F.
P9	UTILITY SINK	---	1 1/4"	1/2"	1/2"	FLOOR MOUNTED	
P10	ACCESSIBLE SHOWER	---	2"	1/2"	1/2"	PROVIDE WITH SPEC'D SHOWER FITTINGS AND HEADS	62"x33" FREEDOM ADA ROLL-IN SHOWER 1-PIECE CONSTRUCTION
P12	ACCESSIBLE SHOWER	---	2"	1/2"	1/2"	PROVIDE WITH SPEC'D SHOWER FITTINGS AND HEADS	ELLA STANDARD 42"x42"x80" 1-PIECE LOW THRESHOLD STALL IN WHITE WITH CENTER DRAIN

ARCHITECT'S STAMP

SIGNATURE REQUIRED

SMITH DESIGN GROUP, INC.
28 WEST HUNTERSON STREET
LAGRANGE, GEORGIA 30240
706-882-5511 www.SDGarch.net

REVISIONS		
Δ	DATE	DESCRIPTION

PROJECT:
VERNON ROAD FIRE STATION
VERNON ROAD
LAGRANGE GEORGIA

TITLE:
**PLUMBING
FIXTURE SCHEDULE**

MODIFIED DATE: JOB NO:
ISSUED DATE: 1731
FOR BID AND PERMIT SHEET:
07 MAY 2018 **P-4**