

GEORGIA UNIFORM CODING SYSTEM

FOR SOIL EROSION AND SEDIMENT CONTROL PRACTICES

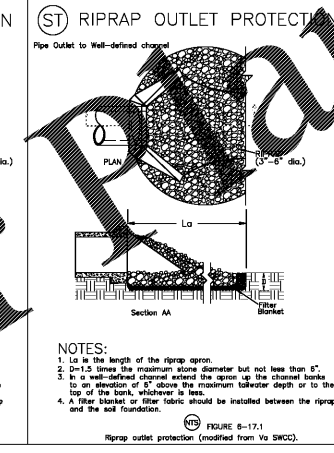
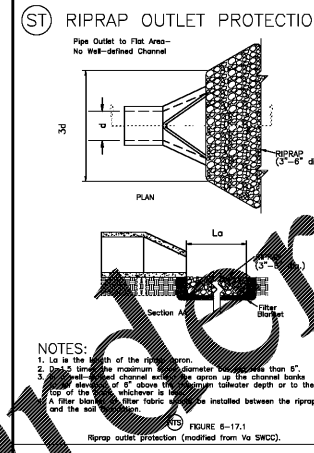
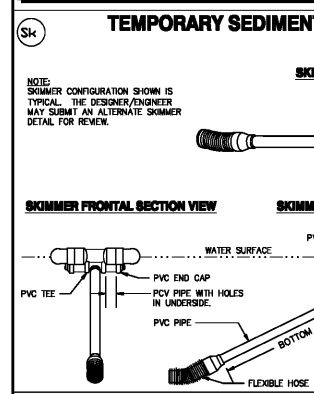
GEORGIA SOIL AND WATER CONSERVATION COMMISSION
STRUCTURAL PRACTICES

CODE	PRACTICE	DETAIL	DESCRIPTION
CG	CRUSH		A small temporary barrier or dam construction...
CC	CHANNEL PROTECTION		Channel, existing or existing in new...
CD	CONSTRUCTION ROAD		A road or other path located on the...
CE	CONSTRUCTION TRAIL		A narrow, temporary, off-road path...
CF	CONSTRUCTION TRAIL		A temporary channel constructed to carry...
CG	CRUSH		A small temporary barrier or dam construction...
CH	CHANNEL PROTECTION		Channel, existing or existing in new...
CI	CONSTRUCTION ROAD		A road or other path located on the...
CJ	CONSTRUCTION TRAIL		A narrow, temporary, off-road path...
CK	CONSTRUCTION TRAIL		A temporary channel constructed to carry...
CL	CONSTRUCTION TRAIL		A narrow, temporary, off-road path...
CM	CONSTRUCTION TRAIL		A temporary channel constructed to carry...
CN	CONSTRUCTION TRAIL		A narrow, temporary, off-road path...
CO	CONSTRUCTION TRAIL		A narrow, temporary, off-road path...
CP	CONSTRUCTION TRAIL		A narrow, temporary, off-road path...
CQ	CONSTRUCTION TRAIL		A narrow, temporary, off-road path...
CR	CONSTRUCTION TRAIL		A narrow, temporary, off-road path...
CS	CONSTRUCTION TRAIL		A narrow, temporary, off-road path...
CT	CONSTRUCTION TRAIL		A narrow, temporary, off-road path...
CU	CONSTRUCTION TRAIL		A narrow, temporary, off-road path...
CV	CONSTRUCTION TRAIL		A narrow, temporary, off-road path...
CW	CONSTRUCTION TRAIL		A narrow, temporary, off-road path...
CX	CONSTRUCTION TRAIL		A narrow, temporary, off-road path...
CY	CONSTRUCTION TRAIL		A narrow, temporary, off-road path...
CZ	CONSTRUCTION TRAIL		A narrow, temporary, off-road path...

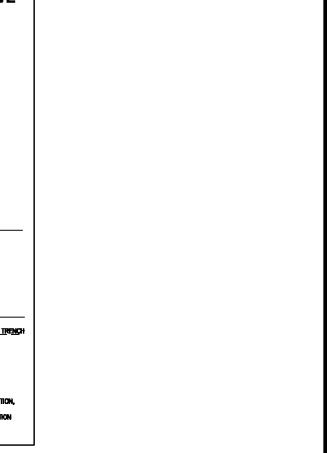
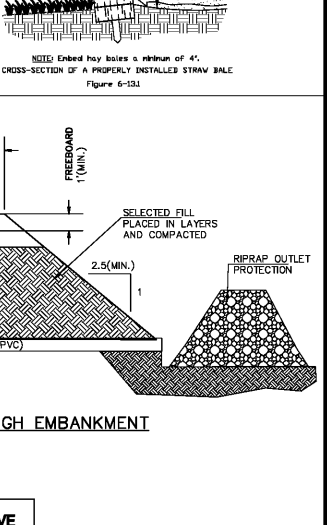
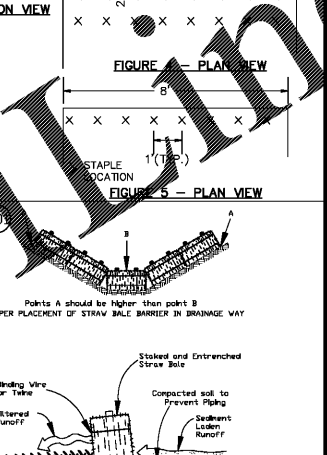
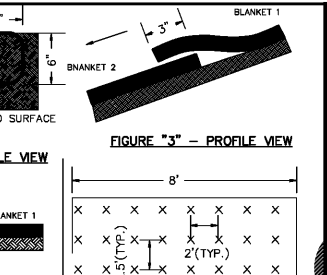
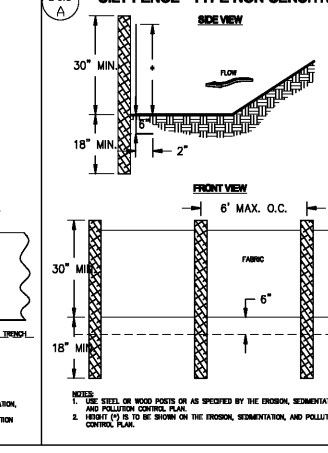
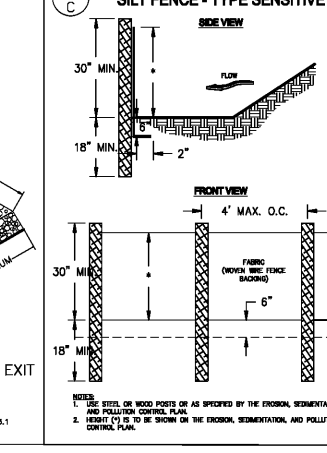
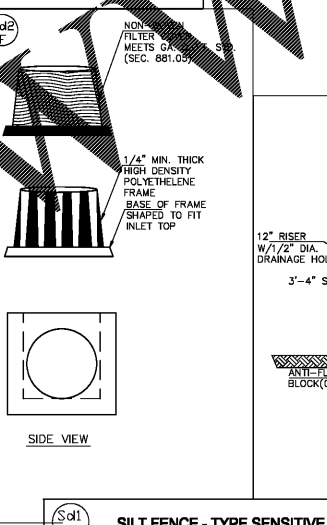
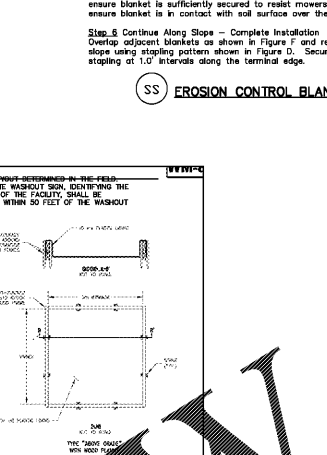
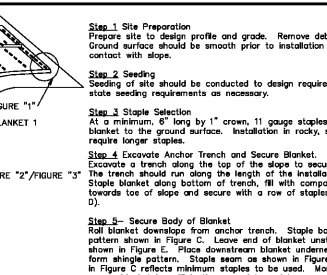
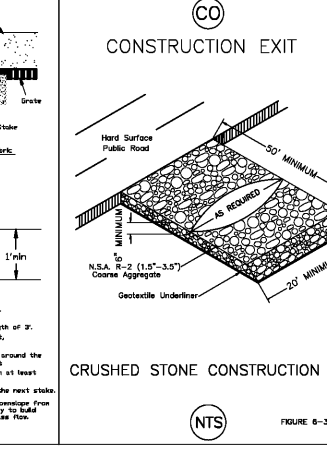
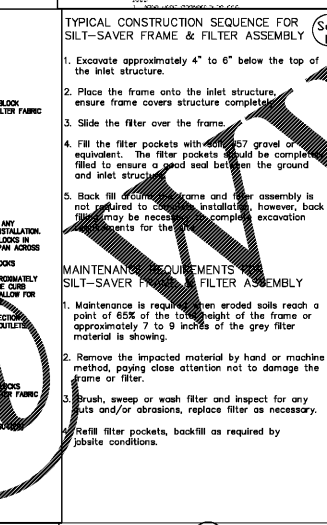
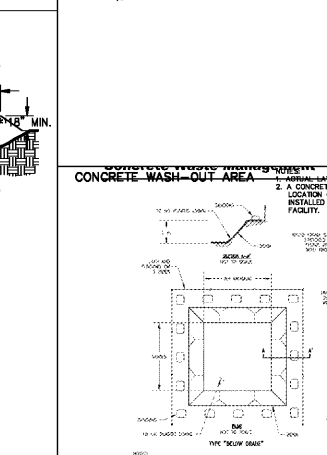
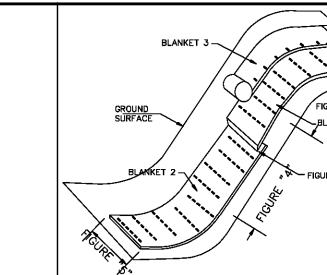
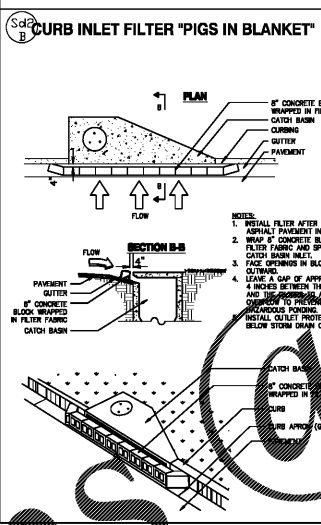
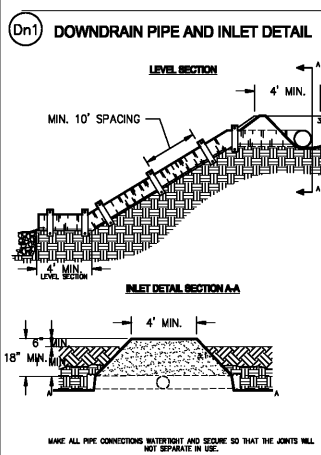
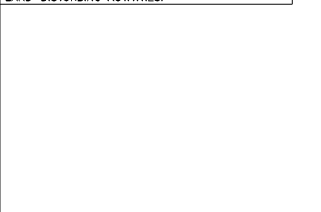
CODE	PRACTICE	DETAIL	DESCRIPTION
DA	DOWNDRAIN PIPE AND INLET DETAIL		Downdrain pipe and inlet detail.
DB	DOWNDRAIN PIPE AND INLET DETAIL		Downdrain pipe and inlet detail.
DC	DOWNDRAIN PIPE AND INLET DETAIL		Downdrain pipe and inlet detail.
DD	DOWNDRAIN PIPE AND INLET DETAIL		Downdrain pipe and inlet detail.
DE	DOWNDRAIN PIPE AND INLET DETAIL		Downdrain pipe and inlet detail.
DF	DOWNDRAIN PIPE AND INLET DETAIL		Downdrain pipe and inlet detail.
DG	DOWNDRAIN PIPE AND INLET DETAIL		Downdrain pipe and inlet detail.
DH	DOWNDRAIN PIPE AND INLET DETAIL		Downdrain pipe and inlet detail.
DI	DOWNDRAIN PIPE AND INLET DETAIL		Downdrain pipe and inlet detail.
DJ	DOWNDRAIN PIPE AND INLET DETAIL		Downdrain pipe and inlet detail.
DK	DOWNDRAIN PIPE AND INLET DETAIL		Downdrain pipe and inlet detail.
DL	DOWNDRAIN PIPE AND INLET DETAIL		Downdrain pipe and inlet detail.
DM	DOWNDRAIN PIPE AND INLET DETAIL		Downdrain pipe and inlet detail.
DN	DOWNDRAIN PIPE AND INLET DETAIL		Downdrain pipe and inlet detail.
DO	DOWNDRAIN PIPE AND INLET DETAIL		Downdrain pipe and inlet detail.
DP	DOWNDRAIN PIPE AND INLET DETAIL		Downdrain pipe and inlet detail.
DQ	DOWNDRAIN PIPE AND INLET DETAIL		Downdrain pipe and inlet detail.
DR	DOWNDRAIN PIPE AND INLET DETAIL		Downdrain pipe and inlet detail.
DS	DOWNDRAIN PIPE AND INLET DETAIL		Downdrain pipe and inlet detail.
DT	DOWNDRAIN PIPE AND INLET DETAIL		Downdrain pipe and inlet detail.
DU	DOWNDRAIN PIPE AND INLET DETAIL		Downdrain pipe and inlet detail.
DV	DOWNDRAIN PIPE AND INLET DETAIL		Downdrain pipe and inlet detail.
DW	DOWNDRAIN PIPE AND INLET DETAIL		Downdrain pipe and inlet detail.
DX	DOWNDRAIN PIPE AND INLET DETAIL		Downdrain pipe and inlet detail.
DY	DOWNDRAIN PIPE AND INLET DETAIL		Downdrain pipe and inlet detail.
DZ	DOWNDRAIN PIPE AND INLET DETAIL		Downdrain pipe and inlet detail.

CODE	PRACTICE	DETAIL	DESCRIPTION
EA	EROSION CONTROL BLANKET		Erosion control blanket.
EB	EROSION CONTROL BLANKET		Erosion control blanket.
EC	EROSION CONTROL BLANKET		Erosion control blanket.
ED	EROSION CONTROL BLANKET		Erosion control blanket.
EE	EROSION CONTROL BLANKET		Erosion control blanket.
EF	EROSION CONTROL BLANKET		Erosion control blanket.
EG	EROSION CONTROL BLANKET		Erosion control blanket.
EH	EROSION CONTROL BLANKET		Erosion control blanket.
EI	EROSION CONTROL BLANKET		Erosion control blanket.
EJ	EROSION CONTROL BLANKET		Erosion control blanket.
EK	EROSION CONTROL BLANKET		Erosion control blanket.
EL	EROSION CONTROL BLANKET		Erosion control blanket.
EM	EROSION CONTROL BLANKET		Erosion control blanket.
EN	EROSION CONTROL BLANKET		Erosion control blanket.
EO	EROSION CONTROL BLANKET		Erosion control blanket.
EP	EROSION CONTROL BLANKET		Erosion control blanket.
EQ	EROSION CONTROL BLANKET		Erosion control blanket.
ER	EROSION CONTROL BLANKET		Erosion control blanket.
ES	EROSION CONTROL BLANKET		Erosion control blanket.
ET	EROSION CONTROL BLANKET		Erosion control blanket.
EU	EROSION CONTROL BLANKET		Erosion control blanket.
EV	EROSION CONTROL BLANKET		Erosion control blanket.
EW	EROSION CONTROL BLANKET		Erosion control blanket.
EX	EROSION CONTROL BLANKET		Erosion control blanket.
EY	EROSION CONTROL BLANKET		Erosion control blanket.
EZ	EROSION CONTROL BLANKET		Erosion control blanket.

CODE	PRACTICE	DETAIL	DESCRIPTION
FA	FILTER FABRIC		Filter fabric.
FB	FILTER FABRIC		Filter fabric.
FC	FILTER FABRIC		Filter fabric.
FD	FILTER FABRIC		Filter fabric.
FE	FILTER FABRIC		Filter fabric.
FF	FILTER FABRIC		Filter fabric.
FG	FILTER FABRIC		Filter fabric.
FH	FILTER FABRIC		Filter fabric.
FI	FILTER FABRIC		Filter fabric.
FJ	FILTER FABRIC		Filter fabric.
FK	FILTER FABRIC		Filter fabric.
FL	FILTER FABRIC		Filter fabric.
FM	FILTER FABRIC		Filter fabric.
FN	FILTER FABRIC		Filter fabric.
FO	FILTER FABRIC		Filter fabric.
FP	FILTER FABRIC		Filter fabric.
FQ	FILTER FABRIC		Filter fabric.
FR	FILTER FABRIC		Filter fabric.
FS	FILTER FABRIC		Filter fabric.
FT	FILTER FABRIC		Filter fabric.
FU	FILTER FABRIC		Filter fabric.
FV	FILTER FABRIC		Filter fabric.
FW	FILTER FABRIC		Filter fabric.
FX	FILTER FABRIC		Filter fabric.
FY	FILTER FABRIC		Filter fabric.
FZ	FILTER FABRIC		Filter fabric.



THE ESCAPE OF SEDIMENT FROM THE SITE SHALL BE PREVENTED BY THE INSTALLATION OF EROSION CONTROL MEASURES AND PRACTICES PRIOR TO, OR CONCURRENT WITH, LAND-DISTURBING ACTIVITIES.



ENGINEER'S STAMP
GEORGIA REGISTERED PROFESSIONAL ENGINEER
JAMES STOTHARD
SMITH DESIGN GROUP, INC.
300 WEST WALTON STREET
LAGRANGE, GEORGIA 30240
706-882-5311
www.sdginc.com
STOTHARD ENGINEERING, INC.
1008 COQUITT ST.
LAGRANGE, GA 30241
PH: 706 884-5279
email: stothard@stothard-engineering.com

REVISIONS

DATE	DESCRIPTION

PROJECT:
VERNON ROAD FIRE STATION
VERNON ROAD
LAGRANGE, GEORGIA

TITLE:
INDEX SHEET

MODIFIED DATE: _____ JOB NO: **1731**

ISSUED DATE: _____ SHEET: **C-15**

FOR BID AND PERMIT: **20 APRIL 2018**