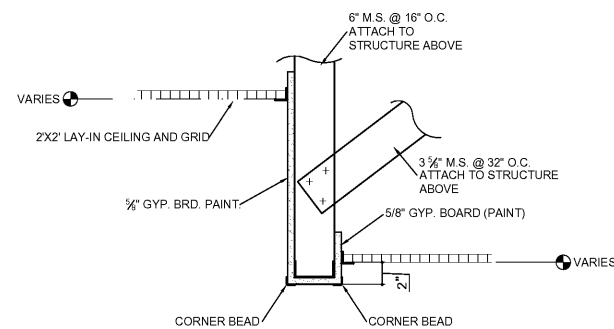


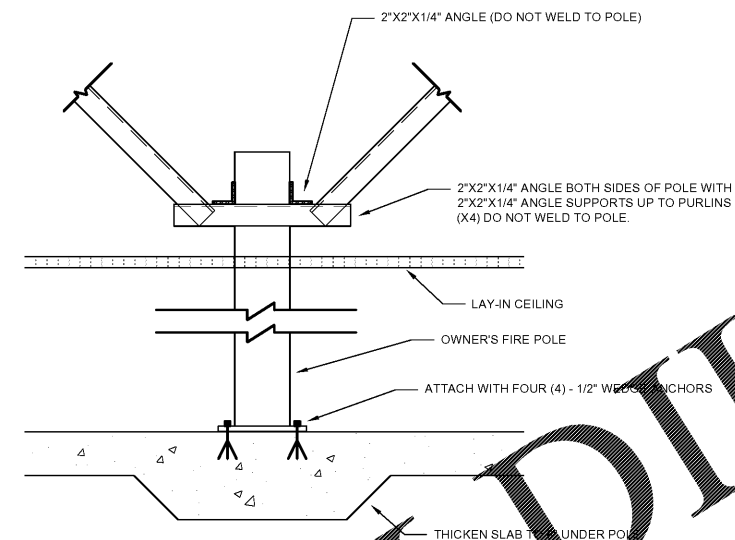
SIGNATURE REQUIRED

SMITH DESIGN GROUP, INC.

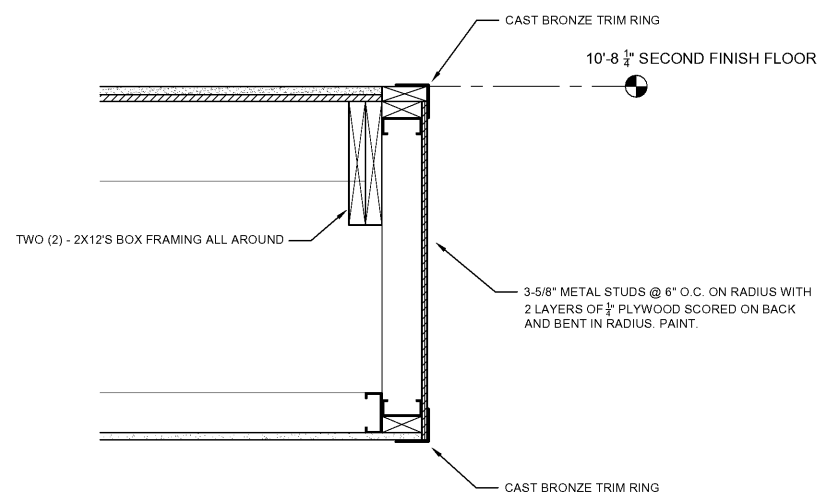
200 WEST HAWKSON STREET  
LAGRANGE, GEORGIA 30240  
706-882-5511 www.SDGarch.net



1  
RC-3  
**CEILING DROP DETAIL**  
SCALE: NOT TO SCALE



3  
RC-3  
**FIRE POLE DETAIL**  
SCALE: 1/2\"/>



2  
RC-3  
**FIRE POLE DETAIL**  
SCALE: 1-1/2\"/>

**FIRE POLE ACCESSORIES  
BY GENERAL CONTRACTOR**

NOTE - BRASS FIRE POLE SUPPLIED BY OWNER. G.C. TO PROVIDE THE FOLLOWING ACCESSORIES, DESIGN BASED ON McINTIRE BRASS WORKS, INC. SOMMERVILLE, MA 02143, USA

**LANDING MAT** - 2" THICK X 36" DIAMETER, MEETING ASTM-D-1056-85, GRADE 2C2-E1, CLOSED CELL NEOPRENE.

**FLOOR TRIM KIT** - TO INCLUDE  
- POLISHED CAST BRONZE TRIM RING FOR FLOOR  
- STAINLESS STEEL FILLER SHEETS WITH NIPPLES WHERE YOU PASS THROUGH THE FLOOR  
- POLISHED CAST BRONZE RING AT CEILING

REVISIONS	
DATE	DESCRIPTION

PROJECT:  
**VERNON ROAD FIRE STATION**  
  
VERNON ROAD  
LAGRANGE GEORGIA

TITLE:  
  
**CEILING DETAILS**

MODIFIED DATE:	JOB NO: <b>1731</b>
ISSUED DATE: FOR BID AND PERMIT <b>07 MAY 2018</b>	SHEET: <b>RC-3</b>

Order Plans @ [www.LDILine.com](http://www.LDILine.com)