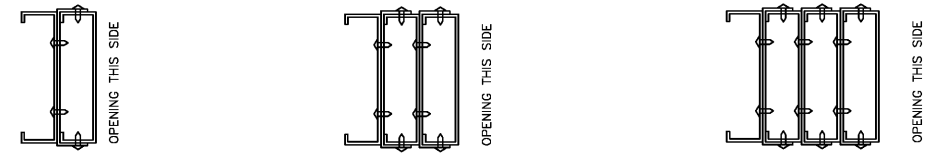


SEE DETAILS THIS SHEET FOR NUMBER OF MEMBERS REQUIRED AT HEAD AND SILL, AS WELL AS CONFIGURATION AND ATTACHMENT OF BUILT-UP MEMBERS.

TYPICAL CONNECTION SILL TO JAMB

1
A9-5 SCALE: NONE



TYPICAL JAMB E.S. OF 6'-0" OPENINGS:
(2) 600S162-43 STUDS
(1) TRACK

TYPICAL JAMB E.S. OF 12'-8" OPENINGS:
(3) 600S162-43 STUDS
(2) TRACK

TYPICAL JAMB E.S. OF 12'-8" OPENINGS:
(3) 600S162-43 STUDS
(2) TRACK

FULL HEIGHT STUDS (SPAN FROM SLAB ON GRADE TO TOP OF PARAPET) AND STUDS SPANNING FROM SLAB ON GRADE TO UNDERSIDE OF LEVEL ELEVATED SLAB

STUDS SPANNING FROM TOP OF LEVEL ELEVATED SLAB TO TOP OF PARAPET

JAMB CONFIGURATIONS

1
A9-5 SCALE: 3" = 1'-0"

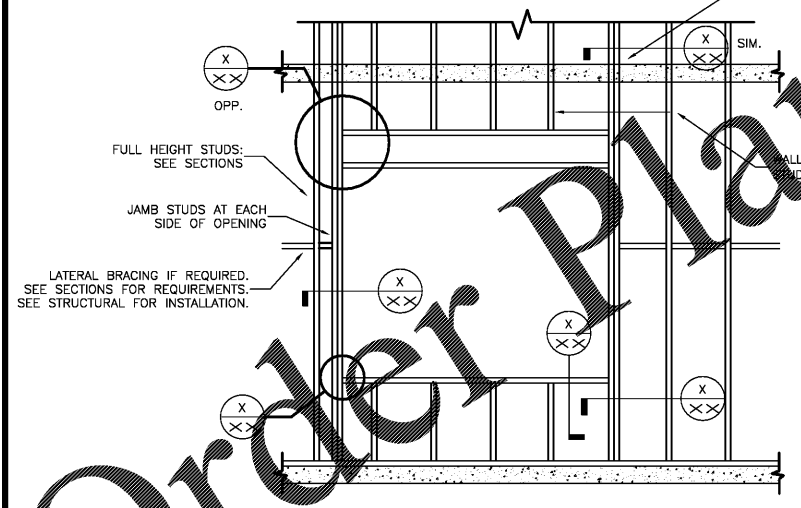
- NOTES:
- FOR ALL JAMBS: SCREW OR WELD TO ASSEMBLY TOGETHER AS SHOWN; EVERY 12" ON CENTER VERTICALLY.
 - STUDS AND TRACKS TO MATCH ADJACENT WALL STUD MATERIAL. SEE DETAILS THIS SHEET FOR CONNECTION TO SLAB AT BASE. DO NOT SPLICE TRACKS IN MIDDLE 1/3 OF SPAN.
 - WHERE EDGE OF 6'-0" OPENING AND EDGE OF 12'-8" OPENING ALIGN, JAMB CONFIGURATION SHALL CONFORM TO REQUIREMENTS OF 12'-8" OPENING FULL HEIGHT OF BUILDING.

NOTE: STRAPPING IS NOT REQUIRED BELOW STRUCTURAL TUBE WHERE NO SLIP CONNECTION OCCURS.

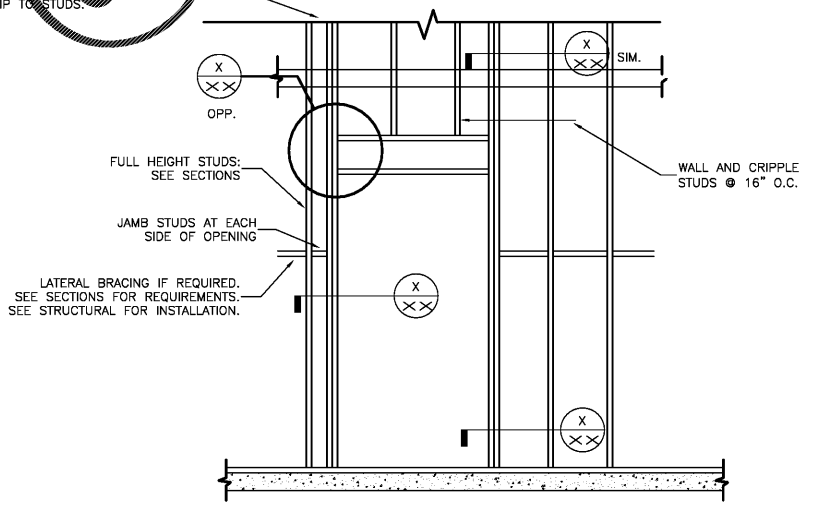
NOTE: AT NON-BYPASS CONDITIONS, WHERE STUDS EXTEND TO UNDERSIDE OF SLAB, USE SL SERIES VERTI-CLIP BY THE STEEL NETWORK TO ATTACH JAMBS INSIDE SLIP TRACK. USE (2) VERTI-CLIPS, ONE EACH SIDE OF JAMB. ATTACH EACH CLIP TO SLIP TRACK WITH (4) #10-18 SCREWS WITHIN 1" OF LEG. USE SCREWS PROVIDED WITH CLIP TO ATTACH CLIP TO STUDS.

# OF FULL HEIGHT JAMBS	# OF CLIPS REQUIRED	# OF PINS THRU EA. CLIP	# OF PINS THRU EA. TRACK
2*	1	2	2
3	2	2	4
4	2	2	6

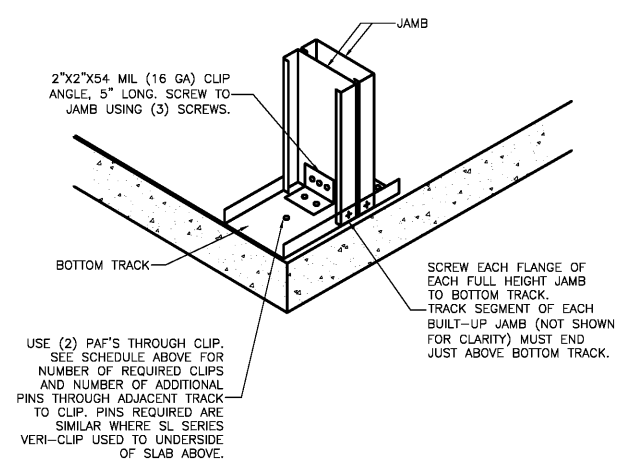
NOTE: * DENOTES WHERE JAMB IS SUPPORTED BY METAL STUD BOX HEADER PROVIDE (2) CLIPS. ANCHOR EACH LEG OF CLIP TO STUDS WITH (3) #10-16 SCREWS.



1
A9-5 TYPICAL OPENING DETAIL SCALE: NONE



1
A9-5 TYPICAL DOOR OPENING DETAIL SCALE: NONE



1
A9-5 JAMB TO SLAB AT OPENINGS SCALE: NONE

ARCHITECT'S STAMP

STATE OF GEORGIA
COUNCIL OF REGISTERED ARCHITECTS
7575

SIGNATURE REQUIRED

SMITH DESIGN GROUP, INC.
20 WEST HAWKSWOOD STREET
LAGRANGE, GEORGIA 30240
708-882-5511 www.SDGarch.net

REVISIONS

DATE	DESCRIPTION

PROJECT:
VERNON ROAD FIRE STATION
VERNON ROAD
LAGRANGE GEORGIA

TITLE:
MISCELLANEOUS DETAILS

MODIFIED DATE:	JOB NO: 1731
ISSUED DATE: FOR BID AND PERMIT 07 MAY 2018	SHEET: A9-5