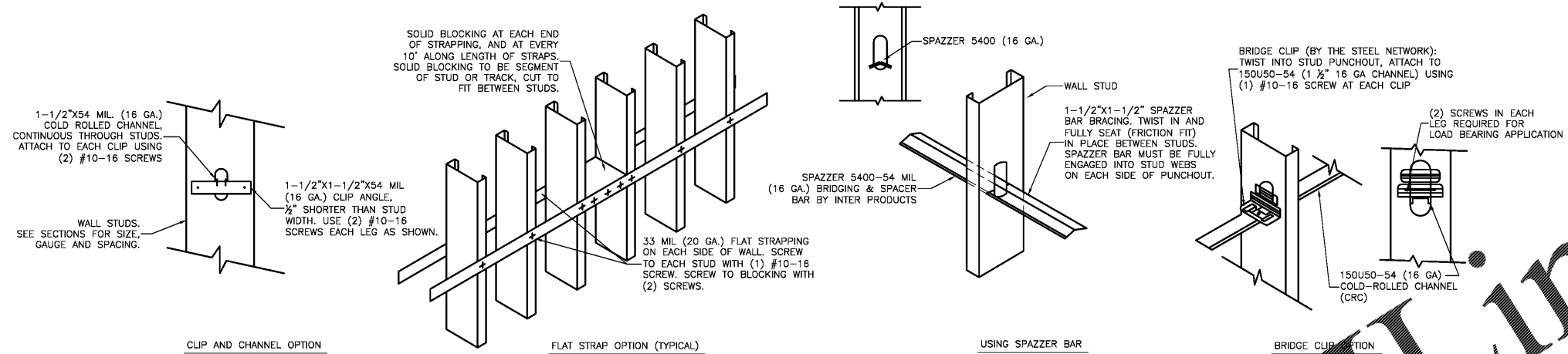
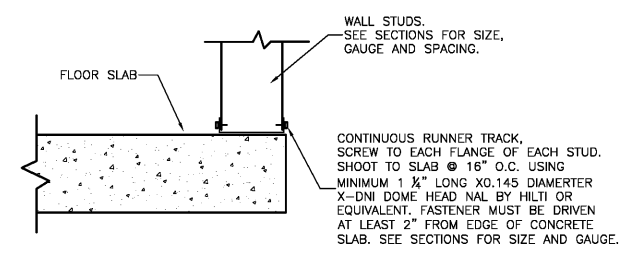




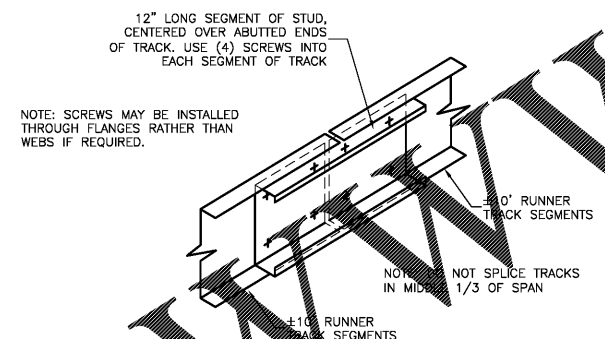
SMITH DESIGN GROUP, INC.
 20 WEST HUNTERSON STREET
 LAGRANGE, GEORGIA 30240
 706-882-5511 www.SDGarch.net



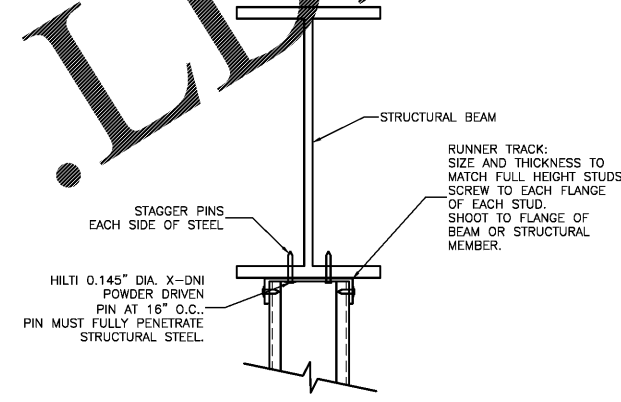
1
 A9-4
FOUR OPTIONS FOR WALL STUD LATERAL BRACING
 SCALE: NONE



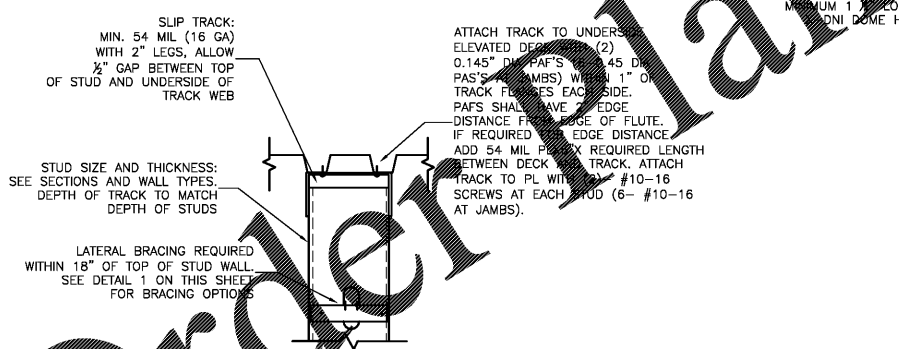
2
 A9-4
SECTION DETAIL: TRACK TO SLAB
 SCALE: 1 1/2" = 1'-0"



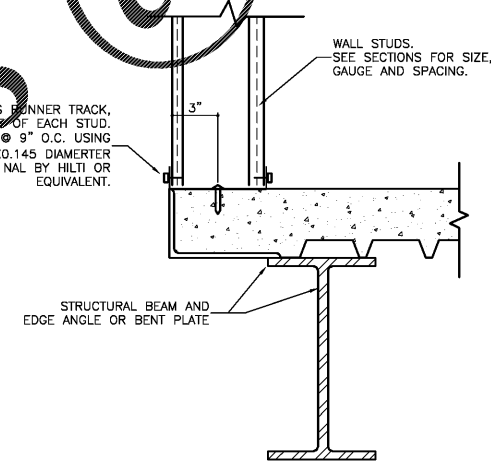
3
 A9-4
TRACK SPLICE
 NOT TO SCALE



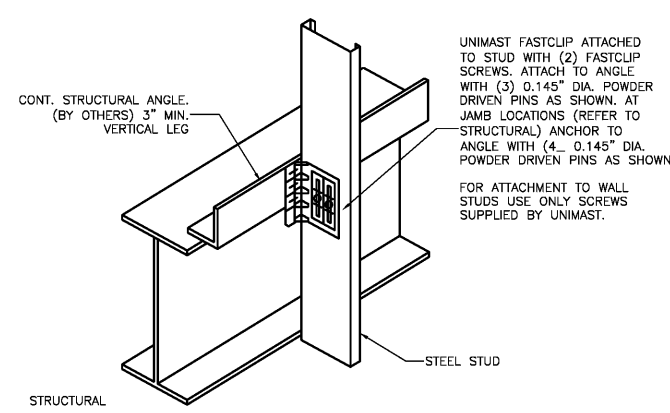
4
 A9-4
CONNECTION TO STEEL
 NOT TO SCALE



5
 A9-4
SLIP TRACK
 SCALE: NONE



6
 A9-4
SECTION DETAIL: TRACK TO ELEVATED SLAB
 SCALE: NONE



7
 A9-4
CONNECTION DETAILS
 SCALE: NONE

REVISIONS	
DATE	DESCRIPTION

PROJECT:
VERNON ROAD FIRE STATION
 VERNON ROAD
 LAGRANGE GEORGIA

TITLE:
MISCELLANEOUS DETAILS

MODIFIED DATE:	JOB NO: 1731
ISSUED DATE: FOR BID AND PERMIT 07 MAY 2018	SHEET: A9-4

Order Plans @ www.LDILine.com