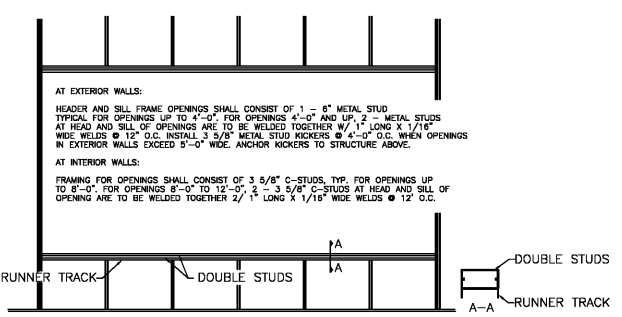
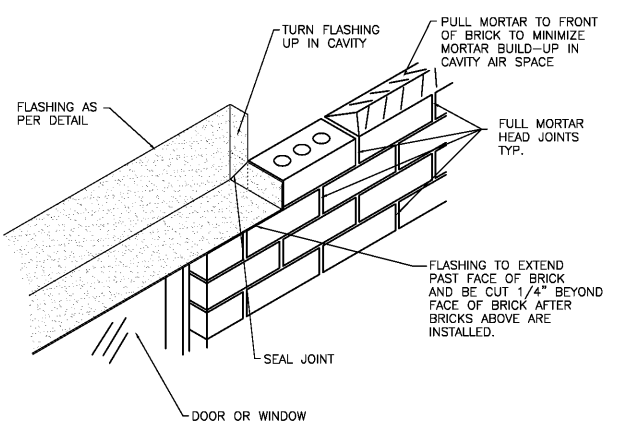


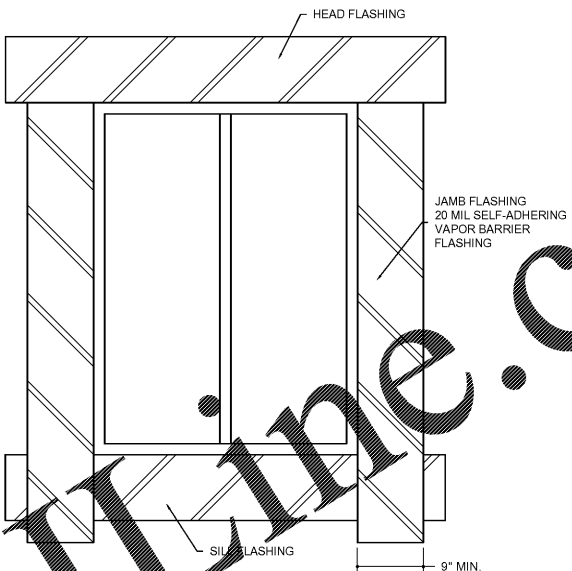
1 EXTERIOR WALL CONSTRUCTION
SCALE: 3/4" = 1'-0"



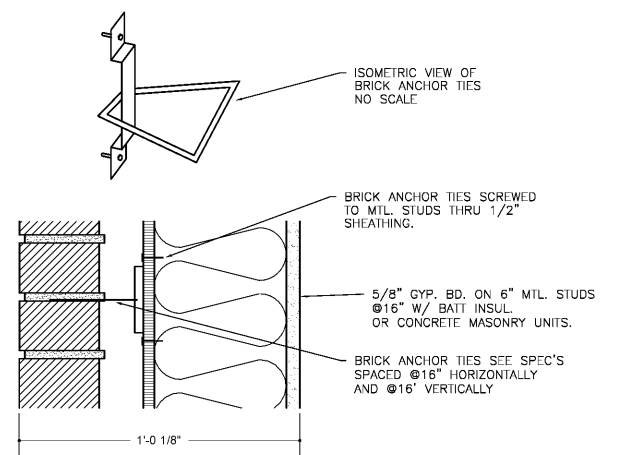
2 FRAMED OPENINGS
SCALE: 3/4" = 1'-0"



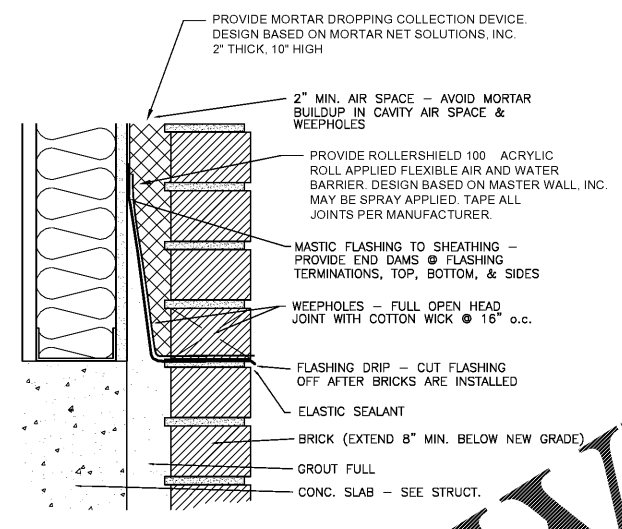
3 BRICK FLASHING
SCALE: 3/4" = 1'-0"



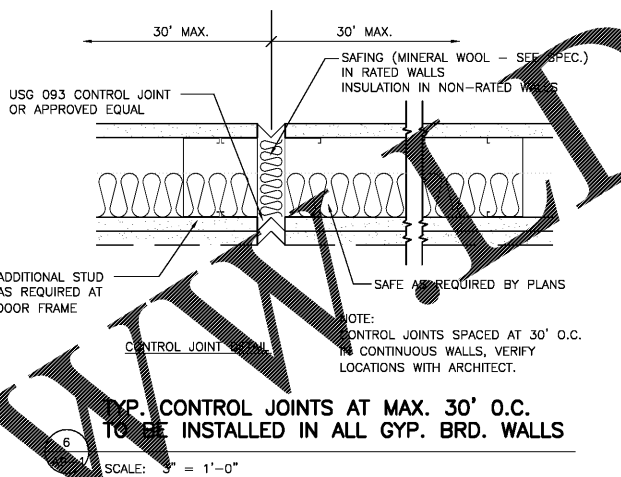
4 EXTERIOR WINDOW AND DOOR PENETRATION FLASHING
SCALE: 3/4" = 1'-0"



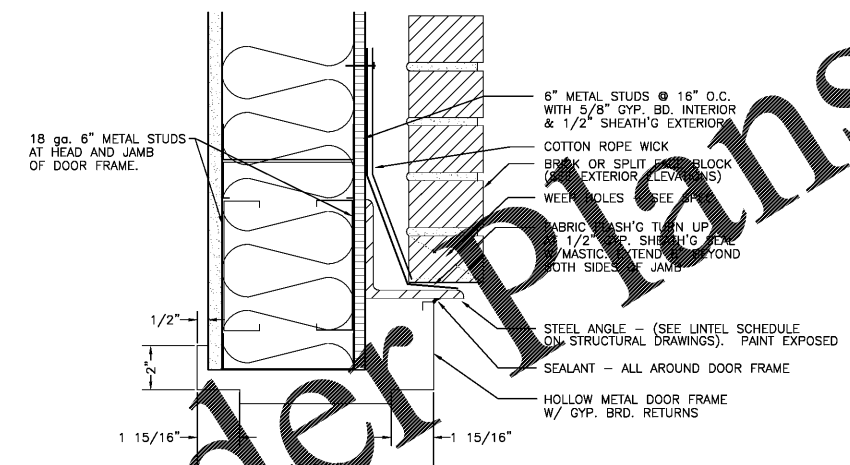
4 BRICK ANCHOR
SCALE: 3/4" = 1'-0"



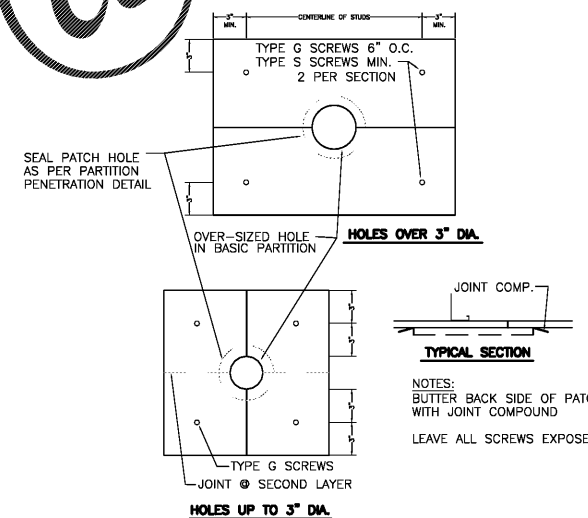
5 BRICK FLASHING
SCALE: 3/4" = 1'-0"



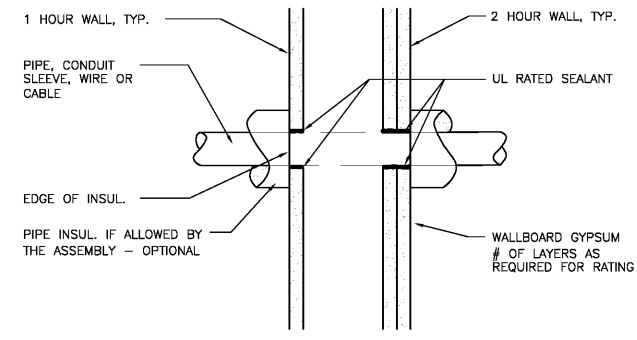
6 CONTROL JOINTS AT MAX. 30' O.C. TO BE INSTALLED IN ALL GYP. BRD. WALLS
SCALE: 3/4" = 1'-0"



10 EXTERIOR HEAD - HOLLOW METAL FRAME
SCALE: 3/4" = 1'-0"



11 BLOW-OUT PATCH
SCALE: 1-1/2" = 1'-0"



7 GENERIC RATED WALL PENETRATION
SCALE: 3/4" = 1'-0"

1. THE ABOVE DETAIL IS A GENERIC SYSTEM SHOWN FOR REFERENCE ONLY. THE GENERAL CONTRACTOR OR SUBCONTRACTORS MUST SUBMIT THE EXACT DETAILS & SYSTEMS TO THE ARCHITECT FOR REVIEW. ANY SYSTEMS BY MAJOR MANUFACTURERS IN THE SPEC. WHICH SUIT THE EXACT SITUATION MAY BE USED.

ARCHITECT'S STAMP
STATE OF GEORGIA
7575
REGISTERED ARCHITECT
SIGNATURE REQUIRED
SMITH DESIGN GROUP, INC.
20 WEST HUNTERSON STREET
LAGRANGE, GEORGIA 30240
706-882-5511 www.SDGarch.net

REVISIONS	
DATE	DESCRIPTION

PROJECT:
VERNON ROAD FIRE STATION
VERNON ROAD
LAGRANGE GEORGIA

TITLE:
DETAILS

MODIFIED DATE:	JOB NO: 1731
ISSUED DATE: FOR BID AND PERMIT 07 MAY 2018	SHEET: A9-1

Order Plans @