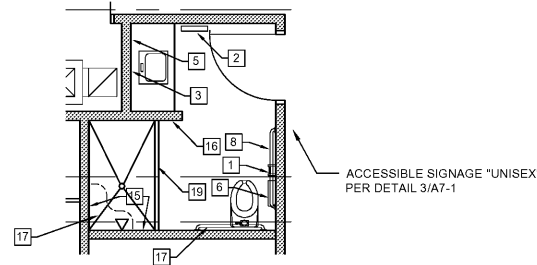


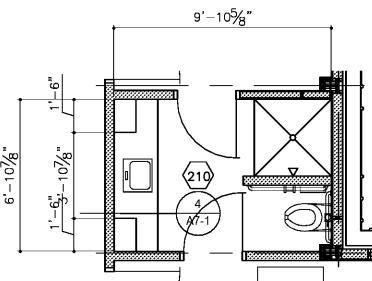
**SPACE 211 - UNISEX BATH
TOILET DIMENSION PLAN**

1
A7-3
SCALE: 1/4" = 1'-0"



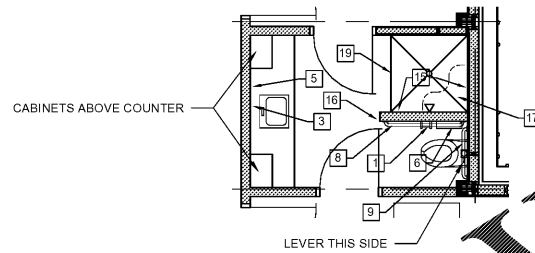
**SPACE 211 - UNISEX BATH
TOILET ACCESSORIES PLAN**

2
A7-3
SCALE: 1/4" = 1'-0"



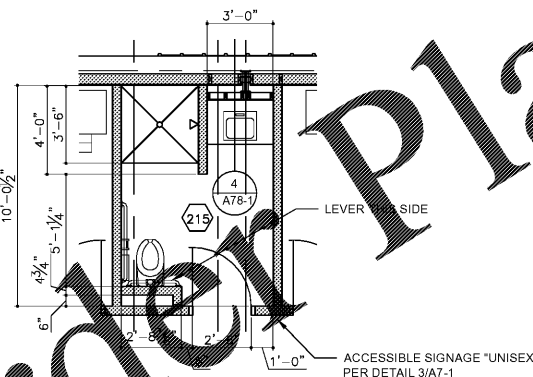
**SPACE 210 - BATH
TOILET DIMENSION PLAN**

3
A7-3
SCALE: 1/4" = 1'-0"



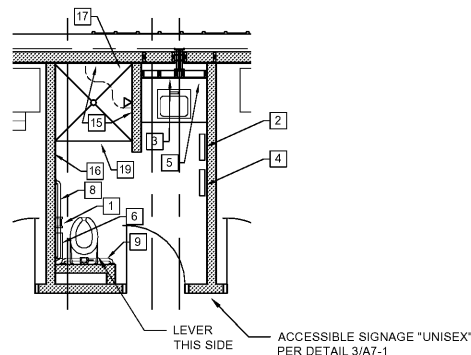
**SPACE 210 - BATH
TOILET ACCESSORIES PLAN**

4
A7-3
SCALE: 1/4" = 1'-0"



**SPACE 215 - UNISEX BATH
TOILET DIMENSION PLAN**

3
A7-3
SCALE: 1/4" = 1'-0"



**SPACE 215 - UNISEX BATH
TOILET ACCESSORIES PLAN**

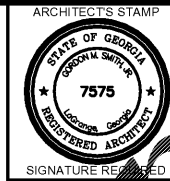
4
A7-3
SCALE: 1/4" = 1'-0"

SCHEDULE OF TOILET ACCESSORIES																						
ITEMS	DESCRIPTION	QUANTITY																				REMARKS
		1	2	3	4	5	6	7	8	9	10	11	12	13	14	15	16	17	18	19	20	
1	ROLL PAPER (DISPENSER ROLL)																					
2	TOILET DISPENSER WITH WASTE																					
3	MIRROR TYPE 1 (HANDICAP)																					
4	SOAP DISPENSER																					
5	MASKING DISPOSAL																					
6	TOILET RACK TYPE 1																					
7	GRAB BAR TYPE 1 42"																					
8	GRAB BAR TYPE 2 36"																					
9	DIAPER CHANGER																					
10	UNFRAMED MIRROR																					
11	SOAP DISPENSER - WALL																					
12	SHOWER GRAB BAR																					
13	SHOWER HOOK																					
14	FLIP DOWN SHOWER SEAT																					
15	ACCESSIBLE SIGNAGE - SEE 3/A7-3																					
16	SHOWER ROD AND CURTAIN																					
17																						
20																						

NOTE: VERIFY EXACT LOCATIONS AND COUNTING HEIGHTS WITH ARCHITECT EARLY IN CONSTRUCTION. SCHEDULING LOCKING AND CUT-OUTS MUST BE OBSERVED.

GENERAL NOTES - CABINET CONSTRUCTION

- ALL CABINETS TO HAVE PLASTIC LAMINATE EXTERIORS WITH MELAMINE INTERIORS.
- ALL CABINETS TO BE CONSTRUCTED FOLLOWING AWI QUALITY STANDARDS.
- ALL TOE BOARDS TO BE PRESSURE TREATED.
- ALL CABINET BODY MEMBERS TO BE 3/4" MELAMINE. BACKS TO BE 1/4" MELAMINE.
- ALL ADJUSTABLE SHELVES TO BE 3/4" MELAMINE WITH MATCHING PVC EDGE BANDING ON 5 MM SHELF PINS @ 32MM O.C.
- CABINET HARDWARE:
 - A: DOOR AND DRAWER PULLS
WIRE PULLS NO. 4484, STANLEY HARDWARE
 - B: HINGES 2 PER LEAF
NO. 3703VSB, SELF CLOSING, DOWELED HINGE CUP, BY G GRASS
 - C: DRAWER GUIDES
NO. 6600, G GRASS
 - D: SHELF PINS
5 MM DIA., 24 MM LONG, NICKEL PLATED, SPACED @ 32 MM O.C.
- ALL RETRACTABLE KEYBOARDS TO BE BASED ON KNAPE AND VOGT, PHONE (800) 253-1561, KEYNETIX FULLY ADJUSTABLE KEYBOARD SYSTEM WITH AMBIDEXTROUS UNDER SWIVEL MOUSE TRAY.



SMITH DESIGN GROUP, INC.

200 WEST HUNTERSON STREET
LAGRANGE, GEORGIA 30240
770-452-5511 www.SDGarch.net

REVISIONS

DATE	DESCRIPTION

PROJECT:
VERNON ROAD FIRE STATION

VERNON ROAD
LAGRANGE GEORGIA

TITLE:
TOILET DETAILS

MODIFIED DATE:	JOB NO: 1731
ISSUED DATE: FOR BID AND PERMIT 07 MAY 2018	SHEET: A7-3