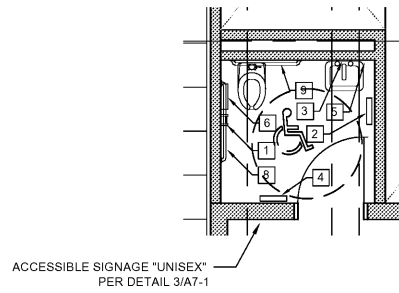


SPACE 111 - UNISEX
TOILET DIMENSION PLAN

1
A7-2
SCALE: 1/4" = 1'-0"



SPACE 111 - UNISEX
TOILET ACCESSORIES PLAN

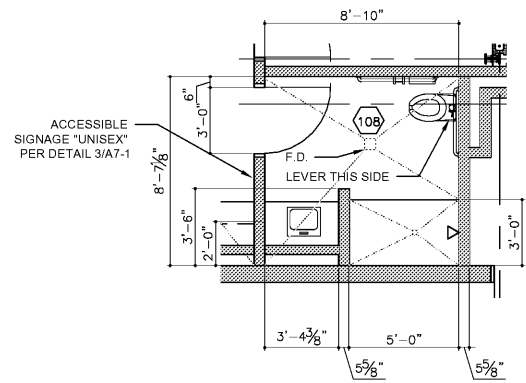
2
A7-2
SCALE: 1/4" = 1'-0"

| SCHEDULE OF TOILET ACCESSORIES | | | |
|--------------------------------|------------------------------------|----------|---------|
| SPACE | ITEMS | QUANTITY | REMARKS |
| SPACE 111 - UNISEX TOILET | 1. ROLL PAPER HOLDER (2 ROLL) | 1 | |
| SPACE 108 - UNISEX SHOWER | 2. TOWEL DISPENSER WITH WASTE | 1 | |
| SPACE 202 - D.C. BATH | 3. MIRROR TYPE 1 | 1 | |
| SPACE 210 - BATH | 4. MIRROR TYPE 2 (HANDICAP) | 1 | |
| SPACE 211 - UNISEX BATH | 5. SOAP DISPENSER | 1 | |
| SPACE 215 - UNISEX BATH | 6. NAPKIN DISPOSAL | 1 | |
| | 7. TOWEL RACK TYPE 1 | 1 | |
| | 8. GRAB BAR TYPE 1 42" | 1 | |
| | 9. GRAB BAR TYPE 2 36" | 1 | |
| | 10. BABY CHANGING STATION (REC.) | 1 | |
| | 11. TOWEL DISPENSER | 1 | |
| | 12. DIAPER CHANGER | 1 | |
| | 13. UNFRAMED MIRROR | 1 | |
| | 14. SOAP DISPENSER - WALL | 1 | |
| | 15. SHOWER GRAB BAR | 1 | |
| | 16. TOWEL HOOK | 1 | |
| | 17. FLIP DOWN SHOWER SEAT | 1 | |
| | 18. ACCESSIBLE SIGNAGE - SEE 3A7-3 | 1 | |
| | 19. SHOWER ROD AND CURTAIN | 1 | |
| | 20. | | |

NOTE: VERIFY FINISH CONDITIONS AND FINISHING HEIGHTS WITH ARCHITECT EARLY IN CONSTRUCTION. CERTAIN PROFESSIONAL WORKING AND FINISHES MAY VARY.

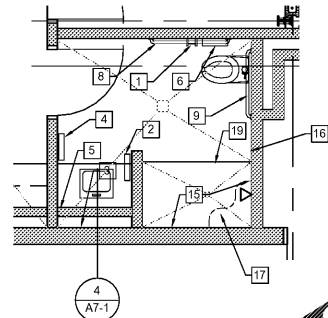
GENERAL NOTES - CABINET CONSTRUCTION

- ALL CABINETS TO HAVE PLASTIC LAMINATE EXTERIORS WITH MELAMINE INTERIORS.
- ALL CABINETS TO BE CONSTRUCTED FOLLOWING AWI QUALITY STANDARDS.
- ALL TOE BOARDS TO BE PRESSURE TREATED.
- ALL CABINET BODY MEMBERS TO BE 3/4" MELAMINE. BACKS TO BE 1/4" MELAMINE.
- ALL ADJUSTABLE SHELVES TO BE 3/4" MELAMINE WITH MATCHING PVC EDGE BANDING ON 5 MM SHELF PINS @ 32MM O.C.
- CABINET HARDWARE:
 - A. DOOR AND DRAWER PULLS: WIRE PULLS NO. 4484, STANLEY HARDWARE
 - B. HINGES 2 PER LEAF NO. 3703V58, SELF CLOSING, DOWELED HINGE CUP, BY G GRASS
 - C. DRAWER GUIDES NO. 6600, G GRASS
 - D. SHELF PINS 5 MM DIA., 24 MM LONG, NICKEL PLATED, SPACED @ 32 MM O.C.
- ALL RETRACTABLE KEYBOARDS TO BE BASED ON KNAPE AND VOGT, PHONE (800) 253-1561, KEYNETIX FULLY ADJUSTABLE KEYBOARD SYSTEM WITH AMBIDEXTROUS UNDER SWIVEL MOUSE TRAY.



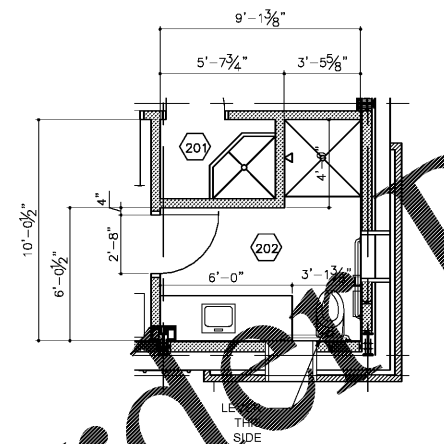
SPACE 108 - UNISEX
TOILET DIMENSION PLAN

3
A7-2
SCALE: 1/4" = 1'-0"



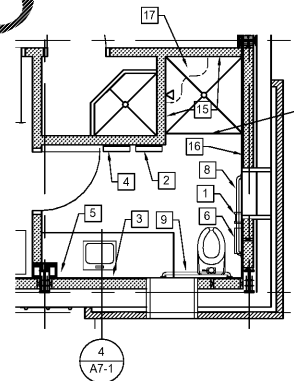
SPACE 108 UNISEX
TOILET ACCESSORIES PLAN

4
A7-2
SCALE: 1/4" = 1'-0"



SPACE 202 - D.C. BATH
TOILET DIMENSION PLAN

3
A7-2
SCALE: 1/4" = 1'-0"



SPACE 202 - D.C. BATH
TOILET ACCESSORIES PLAN

4
A7-2
SCALE: 1/4" = 1'-0"



SIGNATURE REQUIRED

SMITH DESIGN GROUP, INC.

200 WEST HUNTERSON STREET
LAGRANGE, GEORGIA 30240
770-452-5511 www.SDGarch.net

REVISIONS

| DATE | DESCRIPTION |
|------|-------------|
| | |
| | |
| | |
| | |
| | |
| | |
| | |
| | |
| | |
| | |

PROJECT:
VERNON ROAD FIRE STATION
VERNON ROAD
LAGRANGE GEORGIA

TITLE:
TOILET ELEVATIONS

MODIFIED DATE: JOB NO:
ISSUED DATE: 1731
FOR BID AND PERMIT SHEET:
07 MAY 2018 A7-2

Order Plans @ WWW.LDLINE.COM