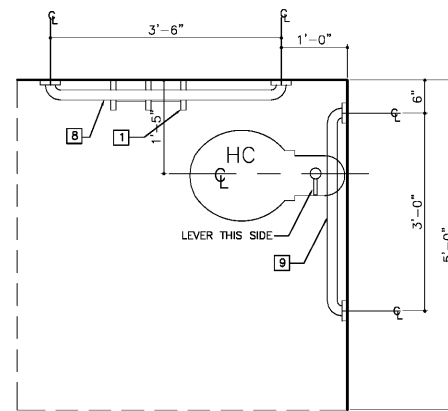


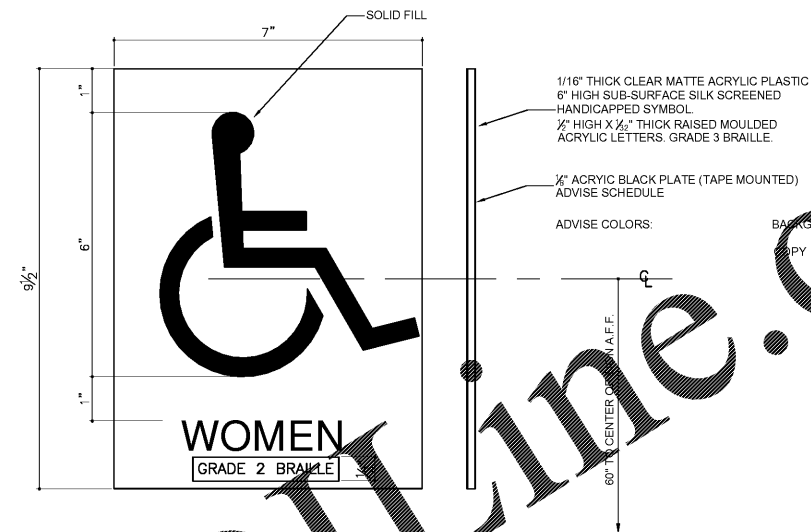
SECTION (TYPICAL AT ALL NEW TOILET ROOMS)

1 A7-1 SCALE: 3/4" = 1'-0"



ACCESSIBLE TOILET PLAN

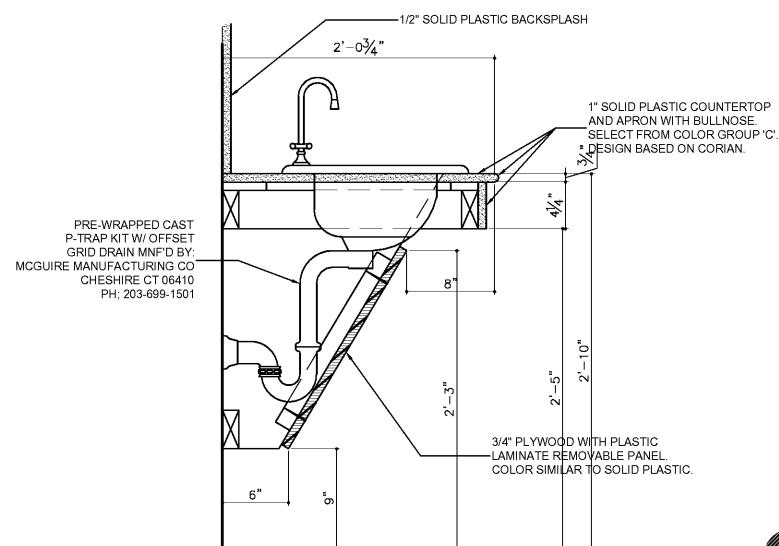
2 A7-1 SCALE: 3/4" = 1'-0"



ACCESSIBLE SIGNAGE

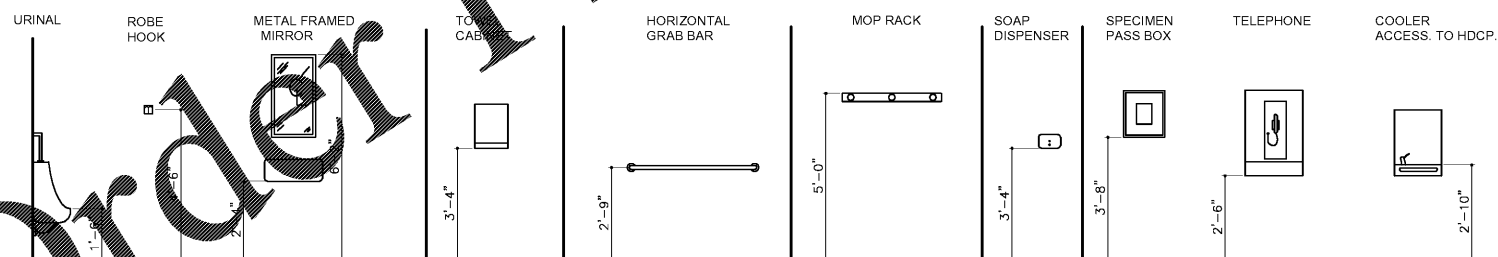
3 A7-1 SCALE: 6" = 1'-0"

(PROVIDE ONE READING 'MEN, ONE READING 'WOMEN')
 SEE LARGE SCALE TOILET PLANS FOR LOCATIONS OF HC SIGNAGE
 NOTE: VERIFY EXACT READING WITH ARCHITECT:
 "MEN, WOMEN, UNISEX", ETC.
 LOCATE AT 60" A.F.F. TO CENTER OF SIGN ON THE PULL SIDE
 OF ALL TOILET DOORS THAT ARE H.C. ACCESSIBLE



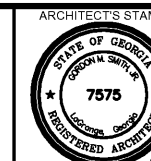
ACCESSIBLE BASIN SKIRT DETAIL

4 A7-1 SCALE: 1-1/2" = 1'-0"



GENERAL MOUNTING HEIGHTS

5 A7-1 SCALE: 3/8" = 1'-0"



SIGNATURE REQUIRED

SMITH DESIGN GROUP, INC.

20 WEST WILKINSON STREET
 LAGRANGE, GEORGIA 30240
 706-882-5511 www.SDGarch.net

REVISIONS	
DATE	DESCRIPTION

PROJECT:
VERNON ROAD FIRE STATION
 VERNON ROAD
 LAGRANGE GEORGIA

TITLE:
TOILET DETAILS

MODIFIED DATE:	JOB NO: 1731
ISSUED DATE: FOR BID AND PERMIT 07 MAY 2018	SHEET: A7-1