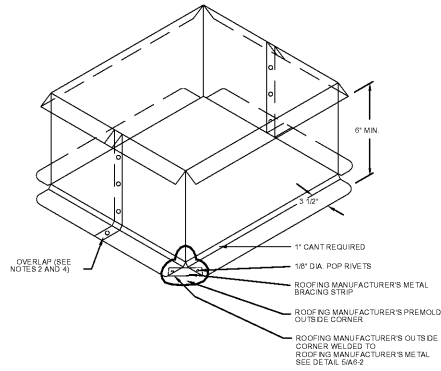


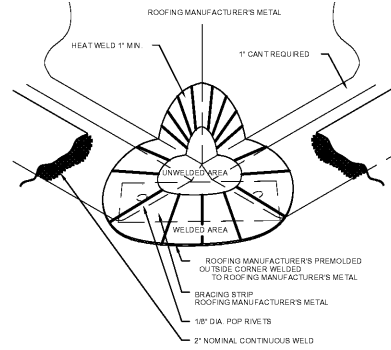
NOTES:  
 1. DETAILS TO BE USED IN CONJUNCTION WITH STANDARD GUIDE SPECIFICATIONS CONTAINING REQUIREMENTS FOR WALLERS, INSULATION, SLIP SHEETS, ETC.  
 2. ROOFING CONTRACTOR TO SUBMIT DETAIL OF THRU WALL SCUPPER AND CONDUCTOR BOX WITH ALL WELDED SEAMS TO ARCHITECT.  
 MIN. SCALE: 3/4" = 1'-0"

3 THRU WALL SCUPPER  
 NOT TO SCALE



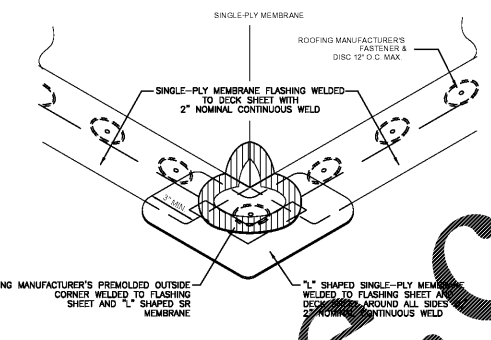
NOTES:  
 1. DETAILS TO BE USED IN CONJUNCTION WITH STANDARD GUIDE SPECIFICATIONS OF ROOFING MANUFACTURER CONTAINING REQUIREMENTS FOR WALLERS, INSULATION, SLIP SHEETS, ETC.  
 2. FABRICATION OF 2 PIECES OF HPG METAL, WITH SEAMS OVERLAPPING A MINIMUM OF 1'-0" AND POP RIVETED 3/4" O.C.  
 3. SEE BASE TIE-IN DETAILS FOR REQUIREMENT.  
 4. COVER METAL SEAMS WITH ROOFING MANUFACTURER'S STRIP.

4 METAL CURB FLASHING  
 NOT TO SCALE



NOTES:  
 1. DETAILS TO BE USED IN CONJUNCTION WITH STANDARD GUIDE SPECIFICATIONS OF ROOFING MANUFACTURER CONTAINING REQUIREMENTS FOR WALLERS, INSULATION, SLIP SHEETS, ETC.  
 2. OUTSIDE CORNERS MUST NOT BE WELDED SOLD.

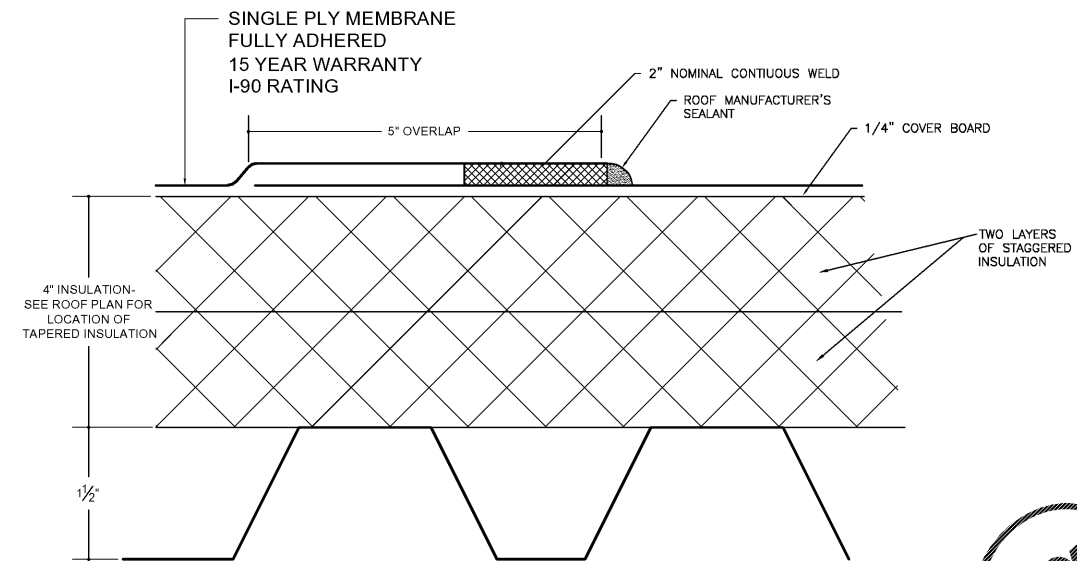
5 OUTSIDE CORNER (METAL FLASHING)  
 NOT TO SCALE



NOTES:  
 1. DETAILS TO BE USED IN CONJUNCTION WITH STANDARD GUIDE SPECIFICATIONS OF ROOFING MANUFACTURER CONTAINING REQUIREMENTS FOR WALLERS, INSULATION, SLIP SHEETS, ETC.

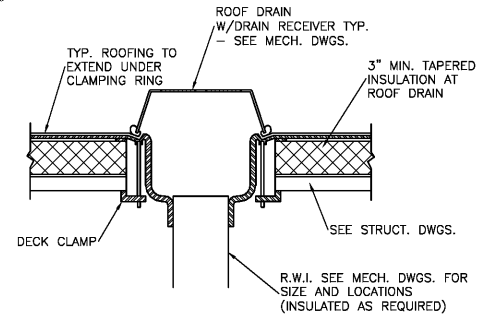
6 OUTSIDE CORNER (MEMBRANE FLASHING)  
 NOT TO SCALE

ARCHITECT'S STAMP  
 STATE OF GEORGIA  
 GEORGIN SMITH  
 7575  
 REGISTERED ARCHITECT  
 SIGNATURE REQUIRED  
 SMITH DESIGN GROUP, INC.  
 20 WEST HUNTERSON STREET  
 LAGRANGE, GEORGIA 30240  
 770-882-5511 www.SDGarch.net



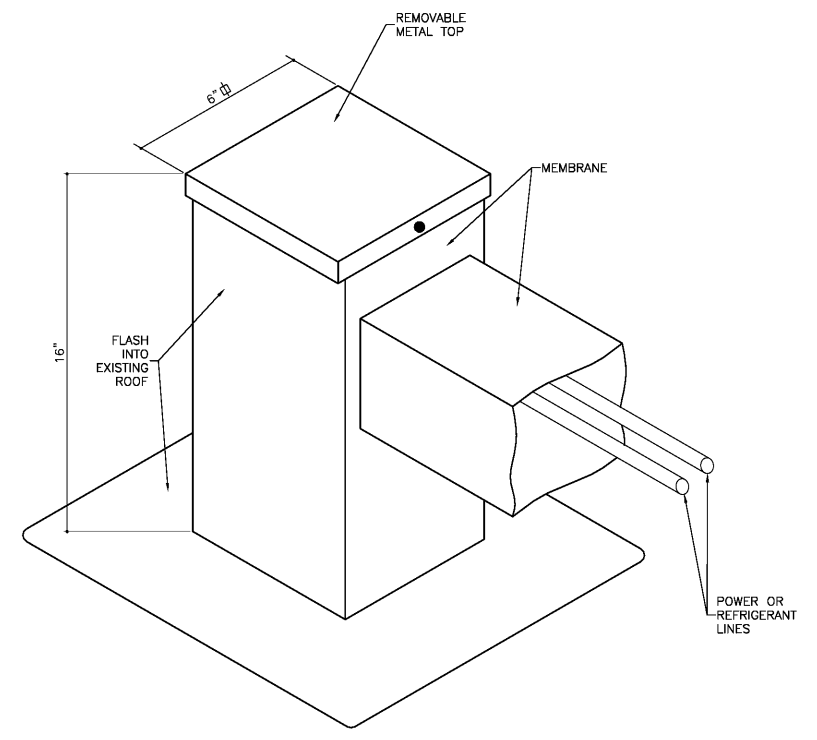
(SEE ROOF PLAN FOR TAPERED INSULATION LOCATIONS)

1 IN LAP FASTENING DETAIL  
 NOT TO SCALE

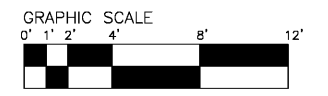


7 ROOF DRAIN INLET  
 SCALE: 1 1/2" = 1'-0"

RD-1 ROOF DRAIN  
 MAIN ROOF DRAIN, DURA-COATED CAST IRON BODY WITH EXTENSION, ROOF SUMP RECEIVER AND UNDER DECK CLAMP. DRAIN SHALL HAVE COMBINATION MEMBRANE FLASHING CLAMP/GRAVEL STOP AND GALVANIZED CAST IRON LOW SILHOUETTE DOME.  
 BASIS OF DESIGN  
 ZURN - ZC-100-EA-R-C-GD



8 UNIVERSAL ROOF PENETRATION DETAIL  
 NOT TO SCALE



REVISIONS	
DATE	DESCRIPTION

PROJECT:  
 VERNON ROAD FIRE STATION  
 VERNON ROAD  
 LAGRANGE GEORGIA

TITLE:  
 ROOF PLAN

MODIFIED DATE:	JOB NO: 1731
ISSUED DATE: FOR BID AND PERMIT 07 MAY 2018	SHEET: A6-3

Order Plans @ www.LDilLine.com